

SPACECRAFT COMPONENTS CORP.

Your Connector Consultant Since 1962

KWIKRELEASE

QUICK DISCONNECT CONNECTORS



- ▶ Vertical or horizontal mounting
- ▶ Shorter length by using an integrated backshell
- ▶ Available with various mating & separation force levels
- ▶ Utilizing push/pull technology for coupling & uncoupling

 **SPACECRAFT**
COMPONENTS CORP.

QUICK DISCONNECT CONNECTORS

ORDERING INFORMATION

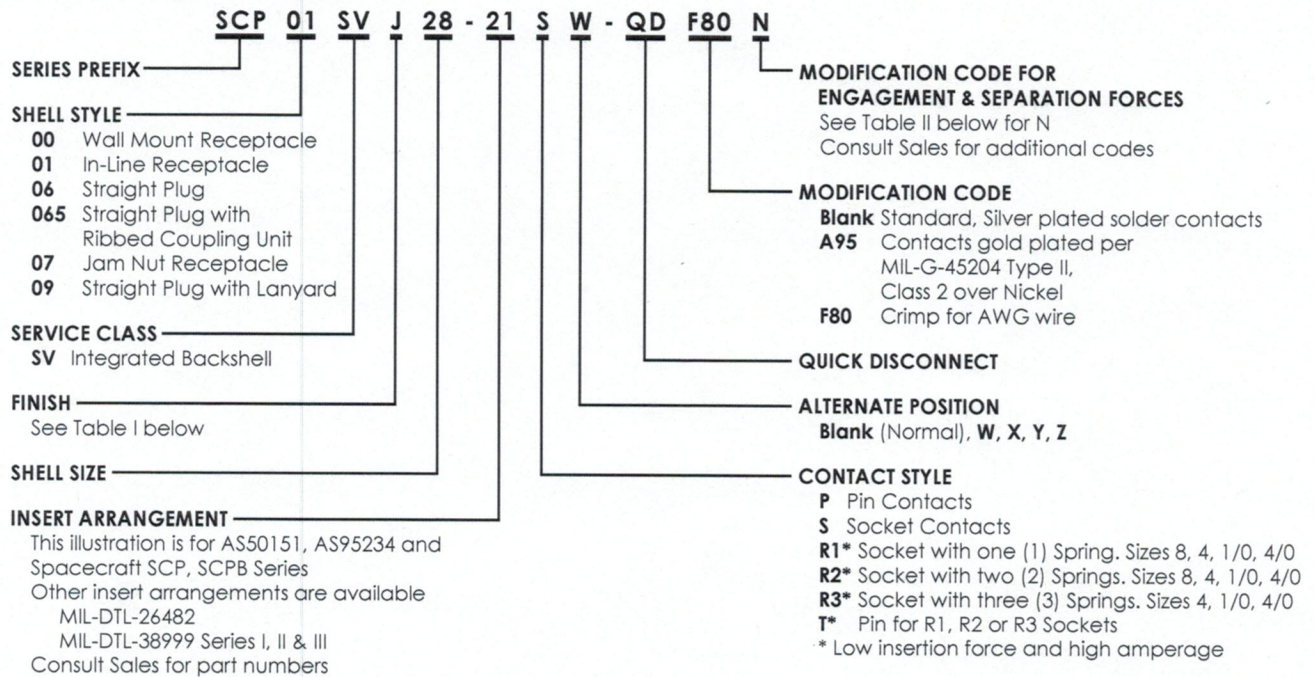


TABLE I: FINISH

CODE	MATERIAL	FINISH
A	Aluminum	Black Anodize
B		Black Cadmium, 48 hr salt spray
C		Bright Cadmium, 48 hr salt spray
D		Bright Cadmium over electroless nickel, 500 hr salt spray
E		Bright Cadmium over electroless nickel
F		Cadmium Gold Iridite, 48 hr salt spray
G		Cadmium Gold Iridite over electroless nickel, 500 hr salt spray
J		Olive Drab Cadmium, 48 hr salt spray
K		Olive Drab Cadmium over electroless nickel, 500 hr salt spray
L		Olive Drab Cadmium over electroless nickel
M		Electroless Nickel
N		Hard Anodize
Y		Zinc Cobalt, olive drab color
Z		Zinc Cobalt, black color
P	303	Black Cadmium
R	Stainless	Electrodeposited Nickel
S	Steel	Passivated
T	316	Passivated
	Stainless	Steel

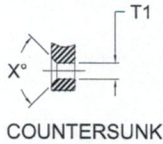
**TABLE II:
ENGAGEMENT &
SEPARATION FORCES**

CODE*	SIZE	ENGAGEMENT MIN.	SEPERATION MIN.
N	10SL	10	40
N	14S	10	40
N	16S	12	45
N	16	12	45
N	18	15	50
N	20	15	60
N	22	15	60
N	24	15	65
N	28	15	65
N	32	15	70
N	36	15	70
N	40	15	80

* Calculated without loading the contacts.
Results will vary depending on each insert arrangement.

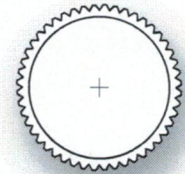
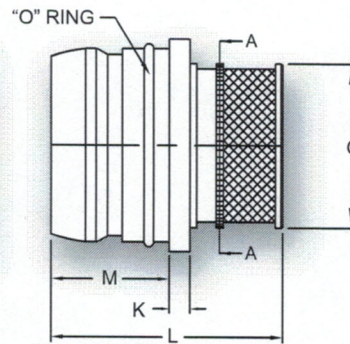
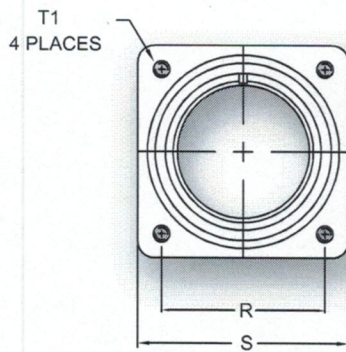
SCP00 WALL MOUNT RECEPTACLE

MOUNTING HOLE OPTIONS



MOUNTING HOLE CODES

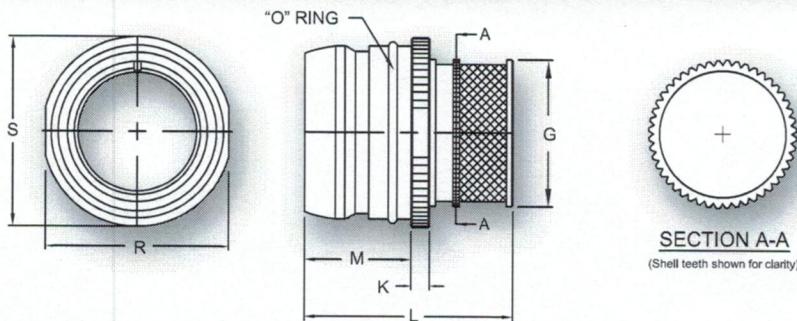
CODE	MOUNTING HOLE TYPE
None	Metric Threads
FF	Thru Holes
UN	UNC Thread



SHELL SIZE	R ±.004 [±0.10]	S ±.012 [±0.31]	T1 +.004 [+0.10] -.000 [-0.00]	T2 THREAD		G MAX	K ±.008 [±0.20]	L MAX	M +.016 [+0.41] -.000 [-0.00]
				METRIC	UNC				
10SL	0.717 [18.21]	1.000 [25.40]	0.126 [3.20]	M4	8-32UNC	0.632 [16.05]	0.110 [2.79]	1.320 [33.53]	0.717 [18.21]
14S	0.906 [23.01]	1.181 [30.00]	0.126 [3.20]	M4	8-32UNC	0.755 [19.18]	0.126 [3.20]	1.320 [33.53]	0.717 [18.21]
16S	0.969 [24.61]	1.280 [32.51]	0.126 [3.20]	M4	8-32UNC	0.880 [22.35]	0.126 [3.20]	1.320 [33.53]	0.717 [18.21]
16	0.969 [24.61]	1.280 [32.51]	0.126 [3.20]	M4	8-32UNC	0.880 [22.35]	0.126 [3.20]	1.685 [42.80]	0.907 [23.04]
18	1.063 [27.00]	1.378 [35.00]	0.126 [3.20]	M4	8-32UNC	1.005 [25.53]	0.157 [3.99]	1.685 [42.80]	0.907 [23.04]
20	1.157 [29.39]	1.496 [38.00]	0.126 [3.20]	M4	8-32UNC	1.130 [28.70]	0.157 [3.99]	1.685 [42.80]	0.907 [23.04]
22	1.252 [31.80]	1.614 [41.00]	0.126 [3.20]	M4	8-32UNC	1.255 [31.88]	0.157 [3.99]	1.685 [42.80]	0.907 [23.04]
24	1.374 [34.90]	1.752 [44.50]	0.146 [3.71]	M4	10-24UNC	1.380 [35.05]	0.157 [3.99]	1.685 [42.80]	0.907 [23.04]
28	1.563 [39.70]	2.000 [50.80]	0.146 [3.71]	M5	10-24UNC	1.630 [41.40]	0.157 [3.99]	1.725 [43.82]	0.947 [24.05]
32	1.752 [44.50]	2.244 [57.00]	0.169 [4.29]	M5	1/4-20UNC	1.880 [47.75]	0.157 [3.99]	1.725 [43.82]	0.947 [24.05]
36	1.937 [49.20]	2.500 [63.50]	0.169 [4.29]	M5	1/4-20UNC	2.067 [52.50]	0.157 [3.99]	1.725 [43.82]	0.947 [24.05]
40	2.185 [55.50]	2.752 [69.90]	0.169 [4.29]	M5	1/4-20UNC	2.317 [58.85]	0.157 [3.99]	1.725 [43.82]	0.947 [24.05]

Dimensions in brackets [] are in millimeters.

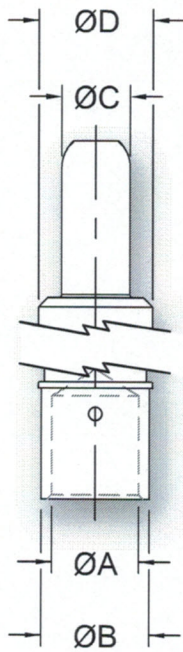
SCP01 IN-LINE RECEPTACLE



SHELL SIZE	R MAX	S MAX	G MAX	K ±.008 [±0.02]	L MAX	M +.016 [+0.41] -.000 [-0.00]
10SL	0.825 [20.96]	0.886 [22.50]	0.632 [16.05]	0.110 [2.79]	1.320 [33.53]	.717 [18.21]
14S	1.014 [25.76]	1.161 [29.49]	0.755 [19.18]	0.126 [3.20]	1.320 [33.53]	.717 [18.21]
16S	1.140 [28.96]	1.240 [31.50]	0.880 [22.35]	0.126 [3.20]	1.320 [33.53]	.717 [18.21]
16	1.140 [28.96]	1.240 [31.50]	0.880 [22.35]	0.126 [3.20]	1.685 [42.80]	.907 [23.04]
18	1.264 [32.11]	1.358 [34.49]	1.005 [25.53]	0.157 [3.99]	1.685 [42.80]	.907 [23.04]
20	1.390 [35.31]	1.476 [37.49]	1.130 [28.70]	0.157 [3.99]	1.685 [42.80]	.907 [23.04]
22	1.514 [38.46]	1.594 [40.49]	1.255 [31.88]	0.157 [3.99]	1.685 [42.80]	.907 [23.04]
24	1.640 [41.66]	1.752 [44.50]	1.380 [35.05]	0.157 [3.99]	1.685 [42.80]	.907 [23.04]
28	1.890 [48.01]	1.969 [50.01]	1.630 [41.40]	0.157 [3.99]	1.725 [43.82]	.947 [24.05]
32	2.140 [54.36]	2.224 [56.49]	1.880 [47.75]	0.157 [3.99]	1.725 [43.82]	.947 [24.05]
36	2.400 [60.96]	2.480 [62.99]	2.067 [52.50]	0.157 [3.99]	1.725 [43.82]	.947 [24.05]
40	2.595 [65.91]	2.717 [69.01]	2.317 [58.85]	0.157 [3.99]	1.725 [43.82]	.947 [24.05]

Dimensions in brackets [] are in millimeters.

POWERBAND PIN CONTACTS



R10 - 85 00 - 140

SERIES PREFIX
R10 Size 1/0 & 4/0 Contacts Only*
R12 Size 8 & 4 Contacts Only*
 * MIL-DTL-5015 Series I

MATERIAL/FINISH
110 Copper/Silver
140 Copper/Gold
142 Copper/Gold 0.000030

CONTACT SIZE

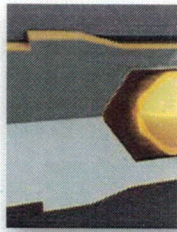
CODE	79	85	92	97
SIZE	8	4	1/0	4/0

WIRE RANGE
 Table below shows standard range. Other sizes are available. Consult Sales.

PIN PART NUMBER	SIZE	FOR WIRE SIZE		RATING	ØA	ØB	ØC	ØD
		AWG	MM ²					
Rxx-7900-110	8	8	9.0	100 Amps	0.181 [4.60]	0.272 [6.90]	0.142 [3.61]	0.307 [7.80]
Rxx-8500-110	4	4	22.0	168 Amps	0.281 [7.15]	0.375 [9.50]	0.225 [5.70]	0.433 [11.00]
Rxx-9200-110	1/0	1/0	53.0	304 Amps	0.453 [11.50]	0.565 [14.35]	0.357 [9.07]	0.595 [15.11]
Rxx-9798-110	4/0	4/0	107.0	500 Amps	0.650 [16.50]	0.787 [20.00]	0.550 [13.97]	0.787 [20.00]

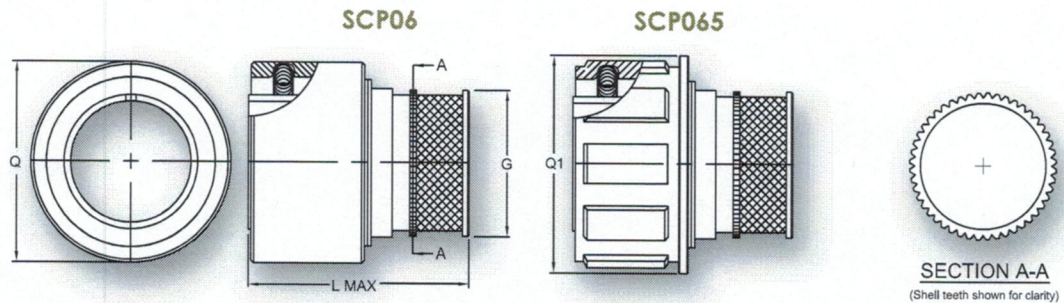
Dimensions in brackets [] are in mm.

Power



These High-Cu are designed for Force and Extra providing up to Cycles.

STRAIGHT PLUG SCP06, SCP065, SCP09

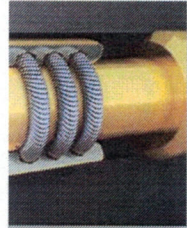


SHELL SIZE	G MAX	L	Q MAX	Q1 MAX
10SL	0.632 [16.05]	1.320 [33.53]	1.217 [30.91]	1.400 [35.56]
14S	0.755 [19.18]	1.320 [33.53]	1.425 [36.20]	1.600 [40.64]
16S	0.880 [22.35]	1.320 [33.53]	1.590 [40.39]	1.780 [45.21]
16	0.880 [22.35]	1.685 [42.80]	1.590 [40.39]	1.780 [45.21]
18	1.006 [25.55]	1.685 [42.80]	1.763 [44.78]	1.950 [49.53]
20	1.130 [28.70]	1.685 [42.80]	1.900 [48.26]	2.100 [53.34]
22	1.256 [31.90]	1.685 [42.80]	2.022 [51.36]	2.200 [55.88]
24	1.380 [35.05]	1.685 [42.80]	2.160 [54.86]	2.350 [59.69]
28	1.630 [41.40]	1.725 [43.82]	2.390 [60.71]	2.580 [65.53]
32	1.880 [47.75]	1.725 [43.82]	2.600 [66.04]	2.800 [71.12]
36	2.067 [52.50]	1.725 [43.82]	2.900 [73.66]	3.100 [78.74]
40	2.317 [58.85]	1.725 [43.82]	3.130 [79.50]	3.300 [83.82]

Dimensions in brackets [] are in millimeters.

POWERBAND SOCKET CONTACTS

PowerBand



Current contacts
or Low Insertion
Time Durability,
> 10,000 Mating

T10 - 85 00 - 140 - 1

SERIES PREFIX
T10 All Sizes, MIL-DTL-5015 Series I

CONTACT SIZE

CODE	79	85	92	97
SIZE	8	4	1/0	4/0

WIRE RANGE

Table below shows standard range.
Other sizes are available. Consult Sales.

MODIFICATION*

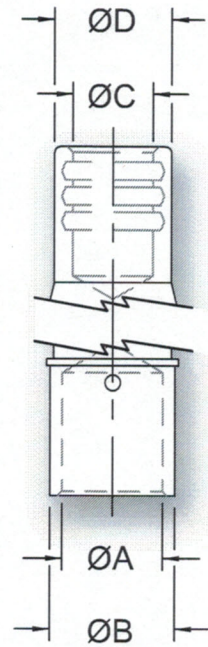
- 1 Standard Duty: 1 Spring
 - 2 Extended Duty: 2 Springs
 - 3 High Current: 3 Springs
- *Applies only to socket contacts sizes 8, 4, 1/0 and 4/0

MATERIAL/FINISH

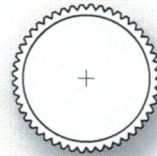
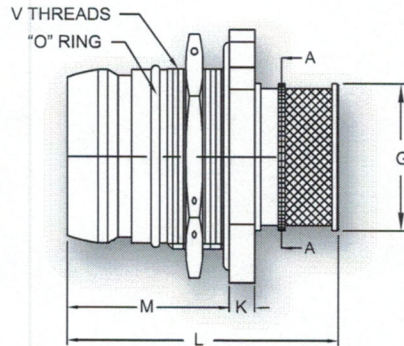
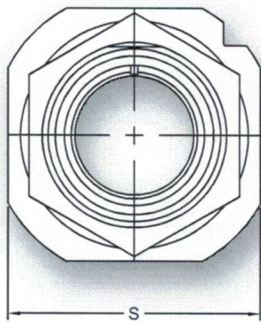
- 110 Copper/Silver
- 140 Copper/Gold
- 142 Copper/Gold 0.000030

SOCKET PART NUMBER	SIZE	FOR WIRE SIZE		SPRINGS	RATING	ØA	ØB	ØC	ØD
		AWG	MM ²						
Txx-7900-110-1	8	8	9	1	46 Amps	0.181 [4.60]	0.272 [6.90]	0.145 [3.68]	0.265 [6.73]
Txx-7900-110-2				2	73 Amps				
Txx-7900-110-3				3	90 Amps				
Txx-8500-110-1	4	4	22	1	80 Amps	0.281 [7.15]	0.375 [9.50]	0.235 [5.97]	0.336 [8.53]
Txx-8500-110-2				2	135 Amps				
Txx-8500-110-3				3	168 Amps				
Txx-9200-110-1	1/0	1/0	53	1	150 Amps	0.453 [11.50]	0.565 [14.35]	0.368 [9.35]	0.532 [13.51]
Txx-9200-110-2				2	245 Amps				
Txx-9200-110-3				3	304 Amps				
Txx-9795-110-1	4/0	4/0	107	1	225 Amps	0.650 [16.50]	0.787 [20.00]	0.560 [14.22]	0.750 [19.05]
Txx-9795-110-2				2	350 Amps				
Txx-9795-110-3				3	500 Amps				

Dimensions in brackets [] are in mm.

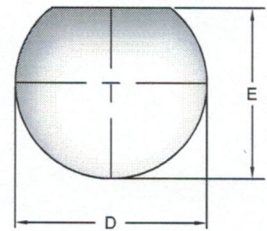


SCP07 JAM NUT RECEPTACLE



SECTION A-A
(Shell teeth shown for clarity)

PANEL CUT-OUT DIMENSIONS



SHELL SIZE	S ±.012 [±0.31]	V THREADS	G MAX	K ±.008 [±0.2]	L MAX	M +.016 [+0.41] -.000 [-0.00]
10SL	1.252 [31.80]	7/8-20 UNEF	0.632 [16.05]	0.110 [2.79]	1.320 [33.53]	0.717 [18.21]
14S	1.626 [41.30]	1 1/8-18 UNEF	0.755 [19.18]	0.126 [3.20]	1.320 [33.53]	0.717 [18.21]
16S	1.748 [44.40]	1 1/4-18 UNEF	0.880 [22.35]	0.126 [3.20]	1.320 [33.53]	0.717 [18.21]
16	1.748 [44.40]	1 1/4-18 UNEF	0.880 [22.35]	0.126 [3.20]	1.685 [42.80]	0.907 [23.04]
18	1.874 [47.60]	1 3/8-18 UNEF	1.005 [25.53]	0.157 [3.99]	1.685 [42.80]	0.907 [23.04]
20	2.000 [50.80]	1 1/2-18 UNEF	1.130 [28.70]	0.157 [3.99]	1.685 [42.80]	0.907 [23.04]
22	2.252 [57.20]	1 5/8-18 UNEF	1.255 [31.88]	0.157 [3.99]	1.685 [42.80]	0.907 [23.04]
24	2.252 [57.20]	1 3/4-18 UNEF	1.380 [35.05]	0.157 [3.99]	1.685 [42.80]	0.907 [23.04]
28	2.500 [63.50]	2-18 UNS	1.630 [41.40]	0.157 [3.99]	1.725 [43.82]	0.947 [24.05]
32	2.748 [69.80]	2 1/4-16 UN	1.880 [47.75]	0.157 [3.99]	1.725 [43.82]	0.947 [24.05]
36	3.000 [76.20]	2 1/2-16 UN	2.067 [52.50]	0.157 [3.99]	1.725 [43.82]	0.947 [24.05]
40	3.287 [83.49]	2 3/4-16 UN	2.317 [58.85]	0.157 [3.99]	1.725 [43.82]	0.947 [24.05]

Dimensions in brackets [] are in millimeters.

SHELL SIZE	D	E
10SL	0.875 [22.23]	0.830 [21.08]
14S	1.125 [28.58]	1.080 [27.43]
16S	1.250 [31.75]	1.210 [30.73]
16	1.250 [31.75]	1.210 [30.73]
18	1.375 [34.93]	1.320 [33.53]
20	1.500 [38.10]	1.450 [36.83]
22	1.625 [41.28]	1.570 [39.88]
24	1.750 [44.45]	1.700 [43.18]
28	2.000 [50.80]	1.950 [49.53]
32	2.250 [57.15]	2.200 [55.88]
36	2.500 [63.50]	2.450 [62.23]
40	2.750 [69.85]	2.700 [68.58]

SPACECRAFT COMPONENTS CORP.

Your Connector Consultant Since 1962

Try Our Other Connector Products



SCP 5015 STYLE CONNECTORS (CATALOG 102)



SCPT 26482 STYLE SC1 38999 SERIES I SC2 38999 SERIES II SC39 38999 SERIES III (CATALOG 202)



SCPB SERIES (CATALOG 302)



CONNECTOR ACCESSORIES (CATALOG 401)



CONNECTORS WITH INTEGRATED BACKSHELLS (CATALOG 601)



Get All of Our Catalogs & Product Brochures on One Disc



SPACECRAFT COMPONENTS CORP.

Headquarters

3040 Clayton Street
North Las Vegas, NV 89032

Phone: 702.851.7600
Fax: 702.851.7620

Email: salesinfo@spacecraft.com
Web: www.spacecraft.com

Florida Office

4577 Nob Hill Road
Suite 106
Sunrise, FL 33351
Tel: 954.748.4540
Fax: 954.748.4128

Arizona Office

519 W. Lone Cactus Dr.
Suite 401
Phoenix, AZ 85027
Tel: 623.580.1162
Fax: 623.580.1165

Italy Office

Spacecraft Components, s.p.a.
Milan, Italy
+39 (335) 719.4512

Mexico Office

Av. Constituyentes 13-6 Col. Pueblo Nuevo
Queretaro, Qro 76900
+52 442 341 69 63

COMING SOON...
All Plastic Connectors
CATALOG 701

JUN 2013
SF-200

COMPILED AND PRODUCED BY SPACECRAFT COMPONENTS CORP.
©2013 SPACECRAFT COMPONENTS CORP., NORTH LAS VEGAS, NV 89032