

## Multi-Pin Power Cylindrical Connectors



### Primary Markets:

- ▶ Combat Vehicles
- ▶ Industrial Machinery
- ▶ Railway/Transit
- ▶ HMI Lighting



**SPACECRAFT  
COMPONENTS CORP.**

# SPACECRAFT AT A GLANCE

Your Connector Consultant  
Since 1962



**F**ounded in 1962, Spacecraft is a family-owned, leading manufacturer and distributor of cylindrical connectors for the railways/transit, military, aerospace and various harsh environment markets.

**As a Manufacturer,** Spacecraft's core focus is manufacturing reverse bayonet connectors geared towards railway and transit applications. Our extensive engineering and manufacturing experience with reverse bayonet connectors provides us with the opportunity to offer a broad range of derivative cylindrical products in a short period of time with an assurance of exceptional quality.

**As a Distributor,** Spacecraft has developed key partnerships with world-class manufacturers whose products encompass MIL-SPEC and harsh environment industrial connectors. We are an authorized MIL-STD-790 value-added assembler for our principal connector manufacturers, such as Souriau, Reiku, Corsair, Sunbank, Astro Tool Corp., Mencom and Ulti-Mate. We stock a wide and deep variety of QPL components which enables us to provide a vast assortment of completed QPL connectors within a three-day turnaround.

**As an Organization,** Spacecraft prides itself on providing consultative service by utilizing our greatest asset: Our people!

**Spacecraft invites you** to tour our best-in-class facility located in North Las Vegas, Nevada, USA.

## Spacecraft's Core Values

- MIL-STD-790 Certified
- Over 9 Million Connectors in Inventory
- Technical Solutions Oriented
- A Consultative Sales Team
- Vertically Integrated
- Supporter of the Buy American Act



## Exceeding Your Quality Expectations

Spacecraft Components Corp. warrants to the original purchaser that it will correct by replacement any defect in workmanship or in-operation of any component purchased from Spacecraft Components Corp. for the life of the equipment in which the component is originally and properly installed. This agreement and warranty supersedes all other warranties expressed or implied.



## CIDS (Connector Identification System)

Your Online Source for MIL-SPEC Cylindrical Connectors

- Access to MIL-SPEC Data Sheets in an Instant
- Identify Crimp Tools for Your Contacts
- Identify the Mating Connector
- Identify the Accessories for Your Connector

## Mission Statement

To provide a work environment where our employees can meet their potential and thrive in an atmosphere of excellence by utilizing their strengths and attributes towards supporting our customers, thereby providing superior products and exceptional service which helps our customers gain a competitive advantage in their markets.

## Locations

Nevada Headquarters 702.851.7600  
 Florida Office 954.748.4540  
 Arizona Office 623.580.1162  
 Mexico Office +52 442 341 69 63  
 Italy Office +39 (335) 719.4512



Distributed by:  
Eastern Connector Specialty

Phone: 860-355-8100  
Fax: 860-350-5411

Email: sales@easternconnector.com  
Web: www.easternconnector.com

# MULTI-PIN CYLINDRICAL POWER CONNECTORS

© 2012 Spacecraft Components Corp., North Las Vegas, Nevada 89032

## Catalog 102 Table of Contents

MIL-DTL-5015 Series I Solder Contact Connectors .....	1A-1
MIL-DTL-5015 Series II Crimp, Front Release Contact, Connectors.....	2A-1
MIL-DTL-5015 Series III Crimp, Rear Release Contact, Connectors .....	3A-1
MIL-DTL-5015 Connector Accessory Quick Reference .....	4A-1
SWL Series Connectors .....	5A-1
SWL Series Connector Accessory Quick Reference .....	6A-1
SWLD Series Connectors .....	7A-1
SWLD Series Connector Accessory Quick Reference .....	8A-1
MIL-DTL-5015 Technical Data .....	9A-2
MIL-DTL-5015 Solder Contacts for Series I .....	9A-3
MIL-DTL-5015 Crimp Contacts for Series I.....	9A-4
Crimp Contact Adapters .....	9A-8
Coaxial Contacts.....	9A-11
MIL-DTL-5015 Crimp Contact Tooling for Series I.....	9A-12
Insert Configurations by Shell Size .....	10A-1
Thermocouple Contacts & Insert Arrangements.....	10A-17
Insert Drawing by Number of Contacts.....	10A-28
Cross Reference/Index .....	11A-1



# We've Got You Covered



Contact  
Spacecraft's  
Consultative Sales Team  
for Ordering Information



YOUR  
**CONNECTOR  
CONSULTANT**  
SINCE 1962

 **SPACECRAFT  
COMPONENTS CORP.**

**860-355-8100**

# SECTION 1A

## MIL-DTL-5015 SERIES I

### SOLDER OR CRIMP (F80) CONTACTS

This Military Specification covers Multipin Cylindrical connectors and is one of the most widely used for various applications. There are 19 shell sizes, 8 shell configurations, and over 130 insert arrangements containing contact sizes 18, 16, 12, 8, 4, 1/0 and 4/0.

MIL-DTL-5015 has surely stood the test-of-time, having been first used in 1939. Through the years, these connectors have been upgraded with the use of state-of-the-art materials and finishes. The insert arrangements are so versatile that they are used in other series of connectors that use different shells and hardware.

Originally, only solder contacts were available. Today, in addition to solder, these connectors are available with crimp contacts, both front and rear release. The coupling method is by use of an UNF type thread. Other coupling methods, reverse bayonet and double start threads are available.

Shown on the chart below is a comparison between various series.

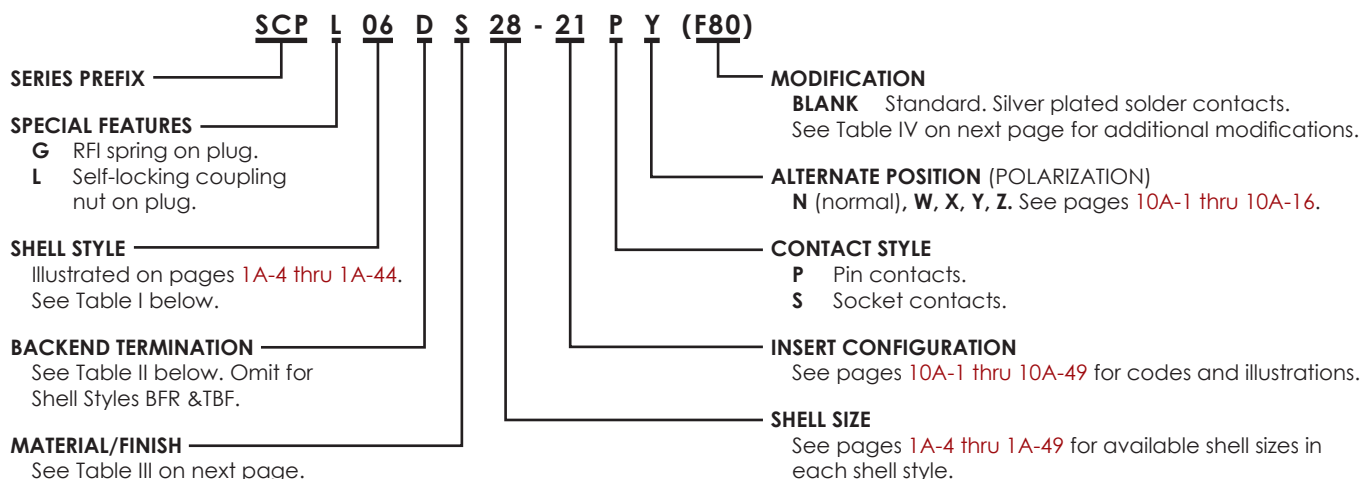
**SERIES COMPARISON**

FEATURES	MIL-DTL-5015 SERIES I	MIL-DTL-5015 FRONT RELEASE SERIES II	MIL-DTL-5015 REAR RELEASE SERIES III	REVERSE BAYONET	SWL	SWLD
<b>COUPLING</b>	UNF Threads	UNF THREADS	UNF THREADS	1/3 TURN BAYONET	DOUBLE START THREADS	DOUBLE START THREADS
<b>SHELL KEYWAYS</b>	1	1	1	1	1	5
<b>REAR ACCESSORY THREADS</b>	RIGHT HAND	RIGHT HAND	RIGHT HAND	RIGHT HAND	LEFT HAND	LEFT HAND
<b>BACKSHELLS</b>	WITH CONNECTORS	NOT SUPPLIED (1)	NOT SUPPLIED (1)	WITH CONNECTORS	NOT SUPPLIED (1)	NOT SUPPLIED (1)
<b>CONTACT TYPE</b>	SOLDER OR F80 CRIMP	CRIMP	CRIMP	SOLDER OR F80 CRIMP	SOLDER OR F80 CRIMP	SOLDER OR F80 CRIMP
<b>CONTACT RETENTION</b>	RUBBER	METAL CLIP	METAL CLIP	RUBBER	RUBBER	RUBBER

(1) Backshells must be purchased separately.

# MIL-DTL-5015 SERIES I SOLDER OR CRIMP CONTACTS

## ORDERING INFORMATION



**TABLE I. SHELL STYLE**

CODE	DESCRIPTION	SEE PAGE
00	Wall mount receptacle	1A-4 thru 1A-13
01	In-line receptacle	1A-14 thru 1A-22
02	Box mount receptacle	1A-23
03	Jam nut receptacle less rear threads	1A-27
04	Jam nut receptacle	1A-24, 1A-28
05	Panel mount plug	1A-30
06	Straight plug	1A-31 thru 1A-40
G06	Straight plug with grounding fingers on barrel	1A-31 thru 1A-40
07	Quick disconnect plug	1A-41
08	90° plug	1A-42 thru 1A-48
G08	90° plug with grounding fingers on barrel	1A-42 thru 1A-48
09	Box mount receptacle w/ P.C. tails	1A-25
BFR	Jam nut receptacle	1A-26
TBF	Thru-bulkhead receptacle	1A-29

**TABLE II. BACKEND TERMINATIONS**

CODE	DESCRIPTION	ENVIRONMENTAL	GROMMET
A	Threaded adapter	No	No
B	Threaded adapter	Yes	Yes
C	Threaded adapter	Yes	No
D	Backshell, 2 piece (MS3057*A)	Yes	No
E	Backshell, 1 piece	Yes	Yes
F	Backshell, 2 piece (MS3057*A)	Yes <sup>o</sup>	Yes
G	Backshell, 1 piece	Yes <sup>o</sup>	Yes
J	Backshell, 2 piece (MS3057*B)	Yes	No
K	Backshell, 2 piece (MS3057*C)	Yes	No
L	Backshell, 2 piece (Bendix class E)	Yes	Yes
LCF	Extended length backshell	Yes	No
LCFZ	Extended length backshell	Yes	Yes
M	Shrink boot adapter	Yes <sup>o</sup>	No
MR	Shrink boot adapter, EMI/RFI	Yes	No
N	Shrink boot adapter	Yes <sup>o</sup>	Yes
NR	Shrink boot adapter, EMI/RFI	Yes	Yes
R	Grommet nut	Yes <sup>o</sup>	Yes
S	Potting boot	Yes	No
SV	Integrated backshell	Yes	No
T	Potting boot with ground lug	Yes	No
U	With rear accessory thread	Yes	No
Y	Without backend termination	Yes	No
Z	Without backend termination	No	No

<sup>o</sup> Plug has "O" ring under coupling nut.

**TABLE III. MATERIAL/FINISH**

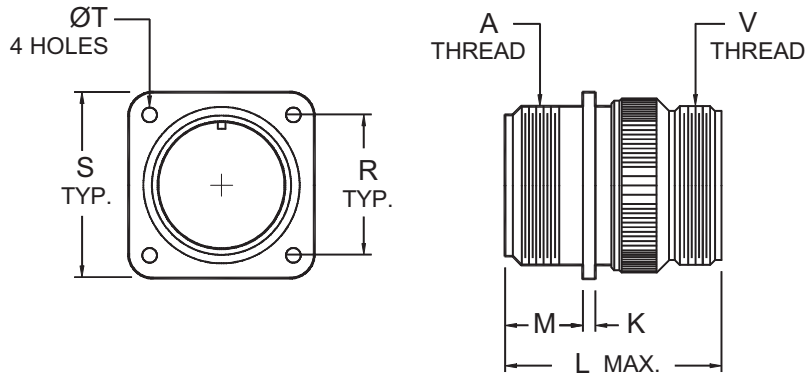
CODE	MATERIAL	FINISH
A	Aluminum	Black anodize
B	Aluminum	Black cadmium, 48 hr salt spray
C	Aluminum	Bright cadmium, 48 hr salt spray
D	Aluminum	Bright cadmium over electroless nickel, 500 hr salt spray
E	Aluminum	Bright cadmium over electroless nickel
F	Aluminum	Cadmium, gold iridite, 48 hr salt spray
G	Aluminum	Cadmium, gold iridite over electroless nickel, 500 hr salt spray
J	Aluminum	Olive drab cadmium, 48 hr salt spray
K	Aluminum	Olive drab cadmium over electroless nickel, 500 hr salt spray
L	Aluminum	Olive drab cadmium over electroless nickel
M	Aluminum	Electroless nickel
N	Aluminum	Hard anodize
P	303 stainless steel	Black cadmium
R	303 stainless steel	Electrodeposited nickel
S	303 stainless steel	Passivated
T	316 stainless steel	Passivated
Y	Aluminum	Zinc cobalt, olive drab color
Z	Aluminum	Zinc cobalt, black color

**TABLE IV. MODIFICATION CODES**

CODE	MODIFICATION
(A95)	Contacts gold plated per MIL-G-45204 Type II, Class 2 over nickel
(A134)	Contacts gold plated per MIL-G-45204 Type II, Class 2 over gold flash per MIL-G-45204 Type I over copper plate per MIL-C-14550, Class 4
(F0)	Connector less contacts
(F28)	Clinch nut mounting
(F42)	Less endbell, grommet and ferrule
(F74)	1/16" gaskets under coupling nut
(F80)	AWG crimp contacts supplied with but not installed in connector
(F123)	Connectors with #16 crimp contacts having #20 AWG wire accommodation
(H)	Hex coupling nut
(P)	Plastic insulator

# WALL MOUNT RECEPTACLE

SCP00A, B, C



**SCP00A\*** Threaded adapter, non-environmental, less grommet

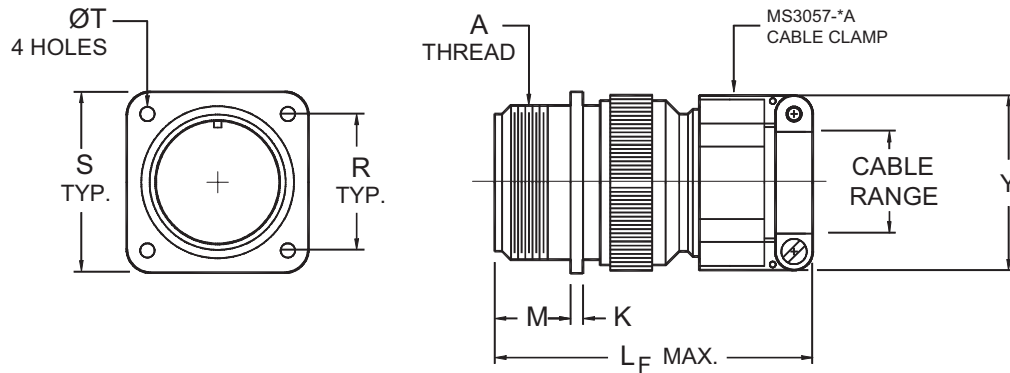
**SCP00B\*** Threaded adapter, environmental, with grommet

**SCP00C\*** Threaded adapter, environmental, less grommet

SHELL SIZE	A COUPLING THREAD CLASS 2A	K		L MAX.	M +.031 - .000 [+0.79] [-0.00]	R ±.005 [±0.13]	S ±.031 [±0.79]	T +.010 - .005 [+0.25] [-0.13]	V ACCESSORY THREAD CLASS 2A
		MIN.	MAX.						
8S	1/2-28 UNEF	.156 [3.96]	.062 [1.57]	1.469 [37.31]	.562 [14.27]	.594 [15.09]	.875 [22.22]	.120 [3.05]	1/2-28 UNEF
10S	5/8-24 UNEF	.156 [3.96]	.062 [1.57]	1.531 [38.89]	.562 [14.27]	.719 [18.26]	1.000 [25.40]	.120 [3.05]	1/2-28 UNEF
10SL	5/8-24 UNEF	.156 [3.96]	.062 [1.57]	1.531 [38.89]	.562 [14.27]	.719 [18.26]	1.000 [25.40]	.120 [3.05]	5/8-24 UNEF
12	3/4-20 UNEF	.156 [3.96]	.062 [1.57]	2.062 [52.37]	.750 [19.05]	.812 [20.62]	1.094 [27.79]	.120 [3.05]	5/8-24 UNEF
12S	3/4-20 UNEF	.156 [3.96]	.062 [1.57]	1.688 [42.88]	.562 [14.27]	.812 [20.62]	1.094 [27.79]	.120 [3.05]	5/8-24 UNEF
14	7/8-20 UNEF	.156 [3.96]	.062 [1.57]	2.062 [52.37]	.750 [19.05]	.906 [23.01]	1.188 [30.18]	.120 [3.05]	3/4-20 UNEF
14S	7/8-20 UNEF	.156 [3.96]	.062 [1.57]	1.688 [42.88]	.562 [14.27]	.906 [23.01]	1.188 [30.18]	.120 [3.05]	3/4-20 UNEF
16	1-20 UNEF	.156 [3.96]	.062 [1.57]	2.062 [52.37]	.750 [19.05]	.969 [24.61]	1.281 [32.54]	.120 [3.05]	7/8-20 UNEF
16S	1-20 UNEF	.156 [3.96]	.062 [1.57]	1.688 [42.88]	.562 [14.27]	.969 [24.61]	1.281 [32.54]	.120 [3.05]	7/8-20 UNEF
18	1 1/8-18 UNEF	.203 [5.16]	.094 [2.39]	2.062 [52.37]	.750 [19.05]	1.062 [26.97]	1.375 [34.92]	.120 [3.05]	1-20 UNEF
20	1 1/4-18 UNEF	.203 [5.16]	.094 [2.39]	2.188 [55.58]	.750 [19.05]	1.156 [29.36]	1.500 [38.10]	.120 [3.05]	1 3/16-18 UNEF
22	1 3/8-18 UNEF	.203 [5.16]	.094 [2.39]	2.188 [55.58]	.750 [19.05]	1.250 [31.75]	1.625 [41.27]	.120 [3.05]	1 3/16-18 UNEF
24	1 1/2-18 UNEF	.203 [5.16]	.094 [2.39]	2.312 [58.72]	.812 [20.62]	1.375 [34.92]	1.750 [44.45]	.147 [3.73]	1 7/16-18 UNEF
28	1 3/4-18 UNS	.203 [5.16]	.094 [2.39]	2.312 [58.72]	.812 [20.62]	1.562 [39.67]	2.000 [50.80]	.147 [3.73]	1 7/16-18 UNEF
32	2-18 UNS	.359 [9.12]	.125 [3.17]	2.438 [61.93]	.875 [22.22]	1.750 [44.45]	2.250 [57.15]	.173 [4.39]	1 3/4-18 UNS
36	2 1/4-16 UN	.359 [9.12]	.125 [3.17]	2.438 [61.93]	.875 [22.22]	1.938 [49.23]	2.500 [63.50]	.173 [4.39]	2-18 UNS
40	2 1/2-16 UN	.359 [9.12]	.125 [3.17]	2.438 [61.93]	.875 [22.22]	2.188 [55.58]	2.750 [69.85]	.173 [4.39]	2 1/4-16 UN
44	2 3/4-16 UN	.359 [9.12]	.125 [3.17]	2.562 [65.07]	.875 [22.22]	2.375 [60.32]	3.000 [76.20]	.173 [4.39]	2 1/2-16 UN
48	3-16 UN	.359 [9.12]	.125 [3.17]	2.562 [65.07]	.875 [22.22]	2.625 [66.67]	3.250 [82.55]	.173 [4.39]	3-16 UN

Dimensions in brackets [ ] are in millimeters.





**SCPOOD\*** Two (2) piece backshell w/ MS3057\*A clamp, environmental, less grommet

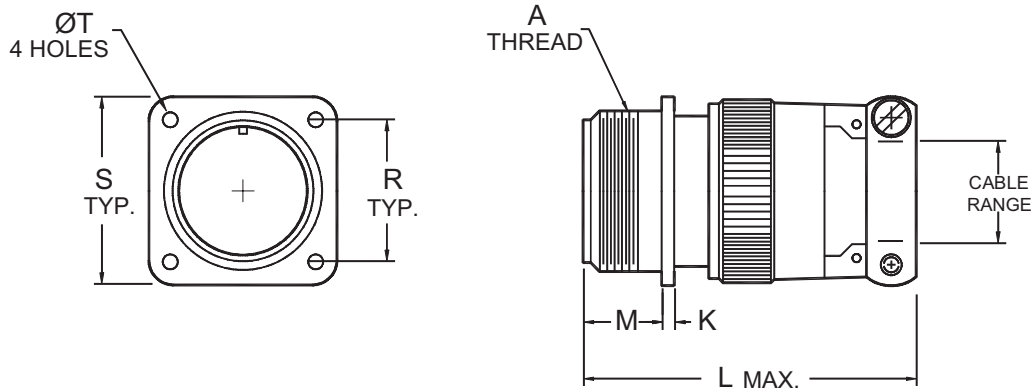
**SCPOOF\*** Two (2) piece backshell w/ MS3057\*A clamp, environmental, with grommet<sup>Ⓞ</sup>

SHELL SIZE	A COUPLING THREAD CLASS 2A	K		L <sub>F</sub> MAX.	M +0.031 -0.000 [+0.79] [-0.00]	R ±0.005 [±0.13]	S ±0.031 [±0.79]	T +0.010 -0.005 [+0.25] [-0.13]	Y ±0.020 [±0.51]	CABLE RANGE	
		MIN.	MAX.							OPEN	CLOSED
8S	1/2-28 UNEF	.156 [3.96]	.062 [1.57]	2.225 [56.52]	.562 [14.27]	.594 [15.09]	.875 [22.22]	.120 [3.05]	.825 [20.96]	.250 [6.35]	.125 [3.18]
10S	5/8-24 UNEF	.156 [3.96]	.062 [1.57]	2.300 [58.42]	.562 [14.27]	.719 [18.26]	1.000 [25.40]	.120 [3.05]	.825 [20.96]	.250 [6.35]	.125 [3.18]
10SL	5/8-24 UNEF	.156 [3.96]	.062 [1.57]	2.300 [58.42]	.562 [14.27]	.719 [18.26]	1.000 [25.40]	.120 [3.05]	.938 [23.83]	.312 [7.92]	.125 [3.18]
12	3/4-20 UNEF	.156 [3.96]	.062 [1.57]	2.900 [73.66]	.750 [19.05]	.812 [20.62]	1.094 [27.79]	.120 [3.05]	.938 [23.83]	.312 [7.92]	.125 [3.18]
12S	3/4-20 UNEF	.156 [3.96]	.062 [1.57]	2.500 [63.50]	.562 [14.27]	.812 [20.62]	1.094 [27.79]	.120 [3.05]	.938 [23.83]	.312 [7.92]	.125 [3.18]
14	7/8-20 UNEF	.156 [3.96]	.062 [1.57]	2.900 [73.66]	.750 [19.05]	.906 [23.01]	1.188 [30.18]	.120 [3.05]	1.125 [28.58]	.438 [11.13]	.250 [6.35]
14S	7/8-20 UNEF	.156 [3.96]	.062 [1.57]	2.500 [63.50]	.562 [14.27]	.906 [23.01]	1.188 [30.18]	.120 [3.05]	1.125 [28.58]	.438 [11.13]	.250 [6.35]
16	1-20 UNEF	.156 [3.96]	.062 [1.57]	2.900 [73.66]	.750 [19.05]	.969 [24.61]	1.281 [32.54]	.120 [3.05]	1.312 [33.32]	.562 [14.27]	.312 [7.92]
16S	1-20 UNEF	.156 [3.96]	.062 [1.57]	2.500 [63.50]	.562 [14.27]	.969 [24.61]	1.281 [32.54]	.120 [3.05]	1.312 [33.32]	.562 [14.27]	.312 [7.92]
18	1 1/8-18 UNEF	.203 [5.16]	.094 [2.39]	2.900 [73.66]	.750 [19.05]	1.062 [26.97]	1.375 [34.92]	.120 [3.05]	1.312 [33.32]	.625 [15.88]	.350 [8.89]
20	1 1/4-18 UNEF	.203 [5.16]	.094 [2.39]	3.000 [76.20]	.750 [19.05]	1.156 [29.36]	1.500 [38.10]	.120 [3.05]	1.531 [38.89]	.750 [19.05]	.500 [12.70]
22	1 3/8-18 UNEF	.203 [5.16]	.094 [2.39]	3.000 [76.20]	.750 [19.05]	1.250 [31.75]	1.625 [41.27]	.120 [3.05]	1.531 [38.89]	.750 [19.05]	.500 [12.70]
24	1 1/2-18 UNEF	.203 [5.16]	.094 [2.39]	3.250 [82.55]	.812 [20.62]	1.375 [34.92]	1.750 [44.45]	.147 [3.73]	1.750 [44.45]	.938 [23.83]	.625 [15.88]
28	1 3/4-18 UNS	.203 [5.16]	.094 [2.39]	3.250 [82.55]	.812 [20.62]	1.562 [39.67]	2.000 [50.80]	.147 [3.73]	1.750 [44.45]	.938 [23.83]	.625 [15.88]
32	2-18 UNS	.359 [9.12]	.125 [3.17]	3.600 [91.44]	.875 [22.22]	1.750 [44.45]	2.250 [57.15]	.173 [4.39]	2.093 [53.16]	1.250 [31.75]	.875 [22.23]
36	2 1/4-16 UN	.359 [9.12]	.125 [3.17]	3.600 [91.44]	.875 [22.22]	1.938 [49.23]	2.500 [63.50]	.173 [4.39]	2.343 [59.51]	1.375 [34.93]	1.000 [25.40]
40	2 1/2-16 UN	.359 [9.12]	.125 [3.17]	3.900 [99.06]	.875 [22.22]	2.188 [55.58]	2.750 [69.85]	.173 [4.39]	2.750 [69.85]	1.625 [41.28]	1.250 [31.75]
44	2 3/4-16 UN	.359 [9.12]	.125 [3.17]	4.000 [101.60]	.875 [22.22]	2.375 [60.32]	3.000 [76.20]	.173 [4.39]	3.000 [76.20]	1.875 [47.63]	1.437 [36.50]
48	3-16 UN	.359 [9.12]	.125 [3.17]	4.225 [107.32]	.875 [22.22]	2.625 [66.67]	3.250 [82.55]	.173 [4.39]	3.530 [89.66]	2.375 [60.33]	1.650 [41.91]

Dimensions in brackets [ ] are in millimeters.  
Ⓞ Plug has "O" ring under coupling nut.

# WALL MOUNT RECEPTACLE

SCP00E, G



**SCP00E\*** One (1) piece backshell, environmental, with grommet

**SCP00G\*** One (1) piece backshell, environmental, with grommet<sup>⊙</sup>

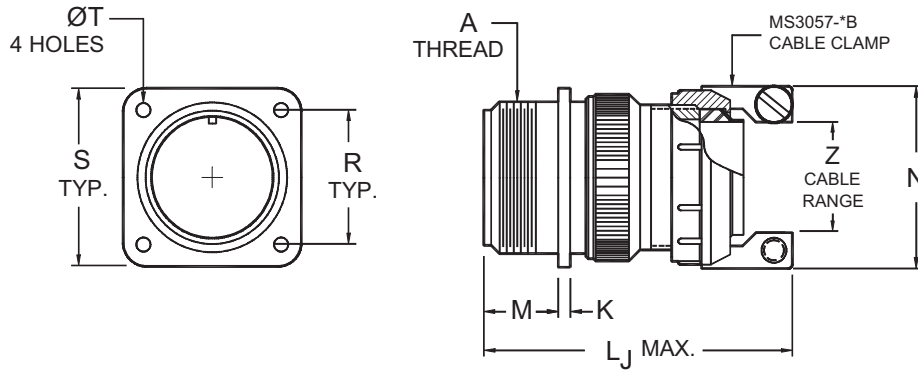
SHELL SIZE	A COUPLING THREAD CLASS 2A	K		L MAX.	M +.031 -.000 [+0.79] [-0.00]	R ±.005 [±0.13]	S ±.031 [±0.79]	T +.010 -.005 [+0.25] [-0.13]	CABLE RANGE	
		MAX.	MIN.						OPEN	CLOSED
8S	1/2-28 UNEF	.156 [3.96]	.062 [1.57]	2.250 [57.15]	.562 [14.27]	.594 [15.09]	.875 [22.22]	.120 [3.05]	.250 [6.35]	.125 [3.18]
10S	5/8-24 UNEF	.156 [3.96]	.062 [1.57]	2.250 [57.15]	.562 [14.27]	.719 [18.26]	1.000 [25.40]	.120 [3.05]	.250 [6.35]	.125 [3.18]
10SL	5/8-24 UNEF	.156 [3.96]	.062 [1.57]	2.250 [57.15]	.562 [14.27]	.719 [18.26]	1.000 [25.40]	.120 [3.05]	.312 [7.92]	.125 [3.18]
12	3/4-20 UNEF	.156 [3.96]	.062 [1.57]	2.625 [66.67]	.750 [19.05]	.812 [20.62]	1.094 [27.79]	.120 [3.05]	.312 [7.92]	.125 [3.18]
12S	3/4-20 UNEF	.156 [3.96]	.062 [1.57]	2.250 [57.15]	.562 [14.27]	.812 [20.62]	1.094 [27.79]	.120 [3.05]	.312 [7.92]	.125 [3.18]
14	7/8-20 UNEF	.156 [3.96]	.062 [1.57]	2.625 [66.67]	.750 [19.05]	.906 [23.01]	1.188 [30.18]	.120 [3.05]	.438 [11.13]	.250 [6.35]
14S	7/8-20 UNEF	.156 [3.96]	.062 [1.57]	2.250 [57.15]	.562 [14.27]	.906 [23.01]	1.188 [30.18]	.120 [3.05]	.438 [11.13]	.250 [6.35]
16	1-20 UNEF	.156 [3.96]	.062 [1.57]	2.625 [66.67]	.750 [19.05]	.969 [24.61]	1.281 [32.54]	.120 [3.05]	.562 [14.27]	.312 [7.92]
16S	1-20 UNEF	.156 [3.96]	.062 [1.57]	2.250 [57.15]	.562 [14.27]	.969 [24.61]	1.281 [32.54]	.120 [3.05]	.562 [14.27]	.312 [7.92]
18	1 1/8-18 UNEF	.203 [5.16]	.094 [2.39]	2.688 [68.28]	.750 [19.05]	1.062 [26.97]	1.375 [34.92]	.120 [3.05]	.625 [15.88]	.350 [8.89]
20	1 1/4-18 UNEF	.203 [5.16]	.094 [2.39]	2.750 [69.85]	.750 [19.05]	1.156 [29.36]	1.500 [38.10]	.120 [3.05]	.750 [19.05]	.500 [12.70]
22	1 3/8-18 UNEF	.203 [5.16]	.094 [2.39]	2.750 [69.85]	.750 [19.05]	1.250 [31.75]	1.625 [41.27]	.120 [3.05]	.750 [19.05]	.500 [12.70]
24	1 1/2-18 UNEF	.203 [5.16]	.094 [2.39]	2.969 [75.41]	.812 [20.62]	1.375 [34.92]	1.750 [44.45]	.147 [3.73]	.938 [23.83]	.625 [15.88]
28	1 3/4-18 UNS	.203 [5.16]	.094 [2.39]	3.031 [76.99]	.812 [20.62]	1.562 [39.67]	2.000 [50.80]	.147 [3.73]	.938 [23.83]	.625 [15.88]
32	2-18 UNS	.359 [9.12]	.125 [3.17]	3.031 [76.99]	.875 [22.22]	1.750 [44.45]	2.250 [57.15]	.173 [4.39]	1.250 [31.75]	.875 [22.23]
36	2 1/4-16 UN	.359 [9.12]	.125 [3.17]	3.281 [83.34]	.875 [22.22]	1.938 [49.23]	2.500 [63.50]	.173 [4.39]	1.375 [34.93]	1.000 [25.40]
40	2 1/2-16 UN	.359 [9.12]	.125 [3.17]	3.500 [88.90]	.875 [22.22]	2.188 [55.58]	2.750 [69.85]	.173 [4.39]	1.625 [41.28]	1.250 [31.75]

Dimensions in brackets [ ] are in millimeters.  
<sup>⊙</sup> Plug has "O" ring under coupling nut.

# WALL MOUNT RECEPTACLE

SCP00J

1A



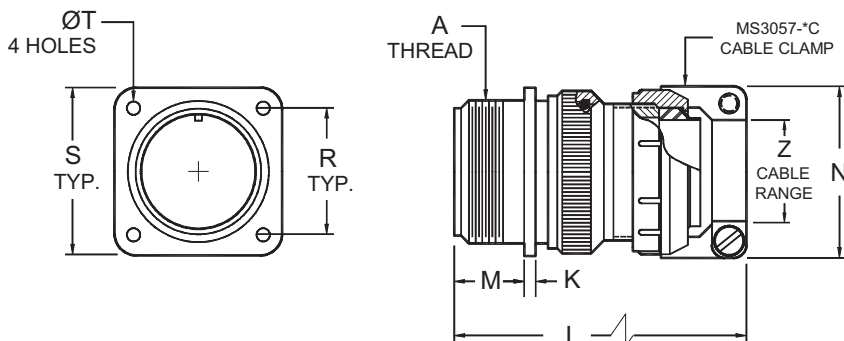
SCP00J\* Two (2) piece backshell w/ MS3057\*B clamp, environmental, less grommet

SHELL SIZE	A COUPLING THREAD CLASS 2A	K		L <sub>J</sub> MAX.	M +.031 -.000 [+0.79] [-0.00]	N MAX.	R ±.005 [±0.13]	S ±.031 [±0.79]	T +.010 -.005 [+0.25] [-0.13]	CABLE CLAMP	Z CABLE RANGE	
		MIN.	MAX.								FREE	CLOSED
8S	1/2-28 UNEF	.156 [3.96]	.062 [1.57]	2.225 [56.52]	.562 [14.27]	.812 [20.62]	.594 [15.09]	.875 [22.22]	.120 [3.05]	MS3057-3B	.219 [5.56]	.031 [0.79]
10S	5/8-24 UNEF	.156 [3.96]	.062 [1.57]	2.300 [58.42]	.562 [14.27]	.812 [20.62]	.719 [18.26]	1.000 [25.40]	.120 [3.05]	MS3057-3B	.219 [5.56]	.031 [0.79]
10SL	5/8-24 UNEF	.156 [3.96]	.062 [1.57]	2.300 [58.42]	.562 [14.27]	.937 [23.80]	.719 [18.26]	1.000 [25.40]	.120 [3.05]	MS3057-4B	.312 [7.92]	.094 [2.39]
12	3/4-20 UNEF	.156 [3.96]	.062 [1.57]	2.900 [73.66]	.750 [19.05]	.937 [23.80]	.812 [20.62]	1.094 [27.79]	.120 [3.05]	MS3057-4B	.312 [7.92]	.094 [2.39]
12S	3/4-20 UNEF	.156 [3.96]	.062 [1.57]	2.500 [63.50]	.562 [14.27]	.937 [23.80]	.812 [20.62]	1.094 [27.79]	.120 [3.05]	MS3057-4B	.312 [7.92]	.094 [2.39]
14	7/8-20 UNEF	.156 [3.96]	.062 [1.57]	2.900 [73.66]	.750 [19.05]	1.062 [26.97]	.906 [23.01]	1.188 [30.18]	.120 [3.05]	MS3057-6B	.438 [11.13]	.250 [6.35]
14S	7/8-20 UNEF	.156 [3.96]	.062 [1.57]	2.500 [63.50]	.562 [14.27]	1.062 [26.97]	.906 [23.01]	1.188 [30.18]	.120 [3.05]	MS3057-6B	.438 [11.13]	.250 [6.35]
16	1-20 UNEF	.156 [3.96]	.062 [1.57]	2.900 [73.66]	.750 [19.05]	1.188 [30.18]	.969 [24.61]	1.281 [32.54]	.120 [3.05]	MS3057-8B	.531 [13.49]	.312 [7.92]
16S	1-20 UNEF	.156 [3.96]	.062 [1.57]	2.500 [63.50]	.562 [14.27]	1.188 [30.18]	.969 [24.61]	1.281 [32.54]	.120 [3.05]	MS3057-8B	.531 [13.49]	.312 [7.92]
18	1 1/8-18 UNEF	.203 [5.16]	.094 [2.39]	2.900 [73.66]	.750 [19.05]	1.312 [33.32]	1.062 [26.97]	1.375 [34.92]	.120 [3.05]	MS3057-10B	.625 [15.88]	.375 [9.52]
20	1 1/4-18 UNEF	.203 [5.16]	.094 [2.39]	3.000 [76.20]	.750 [19.05]	1.562 [39.67]	1.156 [29.36]	1.500 [38.10]	.120 [3.05]	MS3057-12B	.750 [19.05]	.500 [12.70]
22	1 3/8-18 UNEF	.203 [5.16]	.094 [2.39]	3.000 [76.20]	.750 [19.05]	1.562 [39.67]	1.250 [31.75]	1.625 [41.27]	.120 [3.05]	MS3057-12B	.750 [19.05]	.500 [12.70]
24	1 1/2-18 UNEF	.203 [5.16]	.094 [2.39]	3.250 [82.55]	.812 [20.62]	1.750 [44.45]	1.375 [34.92]	1.750 [44.45]	.147 [3.73]	MS3057-16B	.938 [23.83]	.594 [15.09]
28	1 3/4-18 UNS	.203 [5.16]	.094 [2.39]	3.250 [82.55]	.812 [20.62]	1.750 [44.45]	1.562 [39.67]	2.000 [50.80]	.147 [3.73]	MS3057-16B	.938 [23.83]	.594 [15.09]
32	2-18 UNS	.359 [9.12]	.125 [3.17]	3.600 [91.44]	.875 [22.22]	2.250 [57.15]	1.750 [44.45]	2.250 [57.15]	.173 [4.39]	MS3057-20B	1.250 [31.75]	.938 [23.83]
36	2 1/4-16 UN	.359 [9.12]	.125 [3.17]	3.600 [91.44]	.875 [22.22]	2.375 [60.33]	1.938 [49.23]	2.500 [63.50]	.173 [4.39]	MS3057-24B	1.375 [34.93]	.969 [24.61]
40	2 1/2-16 UN	.359 [9.12]	.125 [3.17]	3.900 [99.06]	.875 [22.22]	2.625 [66.68]	2.188 [55.58]	2.750 [69.85]	.173 [4.39]	MS3057-28B	1.625 [41.28]	1.188 [30.18]
44	2 3/4-16 UN	.359 [9.12]	.125 [3.17]	4.000 [101.60]	.875 [22.22]	2.812 [71.42]	2.375 [60.32]	3.000 [76.20]	.173 [4.39]	MS3057-32B	1.875 [47.63]	1.375 [34.93]
48	3-16 UN	.359 [9.12]	.125 [3.17]	4.225 [107.32]	.875 [22.22]	3.312 [84.12]	2.625 [66.67]	3.250 [82.55]	.173 [4.39]	MS3057-40B	2.375 [60.33]	1.875 [47.63]

Dimensions in brackets [ ] are in millimeters.

# WALL MOUNT RECEPTACLE

SCP00K, LCF, LFCZ



**SCP00K\*** Two (2) piece backshell w/ MS3057\*C clamp, environmental, less grommet

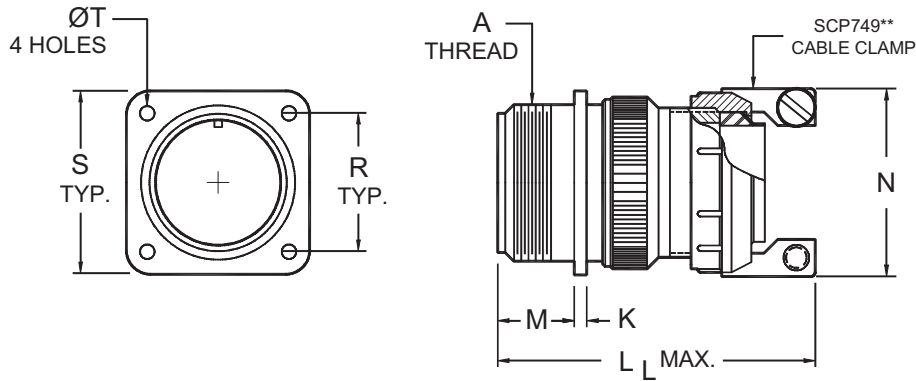
**SCP00LCF\*** Extended length backshell, environmental, less grommet

**SCP00LCFZ\*** Extended length backshell, environmental, with grommet

SHELL SIZE	A COUPLING THREAD CLASS 2A	K		L MAX.		M + .031 - .000 [+0.79] [-0.00]	N MAX.	R ±.005 [±0.13]	S ±.031 [-0.79]	T + .010 - .005 [+0.25] [-0.13]	CABLE CLAMP	Z CABLE RANGE	
		MIN.	MAX.	K SERIES	LCF SERIES							FREE	CLOSED
8S	1/2-28 UNEF	.156 [3.96]	.062 [1.57]	2.225 [56.52]	4.00 [101.6]	.562 [14.27]	.812 [20.62]	.594 [15.09]	.875 [22.22]	.120 [3.05]	MS3057-3C	.219 [5.56]	.031 [0.79]
10S	5/8-24 UNEF	.156 [3.96]	.062 [1.57]	2.300 [58.42]	4.00 [101.6]	.562 [14.27]	.812 [20.62]	.719 [18.26]	1.000 [25.40]	.120 [3.05]	MS3057-3C	.219 [5.56]	.031 [0.79]
10SL	5/8-24 UNEF	.156 [3.96]	.062 [1.57]	2.300 [58.42]	4.00 [101.6]	.562 [14.27]	.937 [23.80]	.719 [18.26]	1.000 [25.40]	.120 [3.05]	MS3057-4C	.312 [7.92]	.094 [2.39]
12	3/4-20 UNEF	.156 [3.96]	.062 [1.57]	2.900 [73.66]	4.50 [114.0]	.750 [19.05]	.937 [23.80]	.812 [20.62]	1.094 [27.79]	.120 [3.05]	MS3057-4C	.312 [7.92]	.094 [2.39]
12S	3/4-20 UNEF	.156 [3.96]	.062 [1.57]	2.500 [63.50]	4.00 [101.6]	.562 [14.27]	.937 [23.80]	.812 [20.62]	1.094 [27.79]	.120 [3.05]	MS3057-4C	.312 [7.92]	.094 [2.39]
14	7/8-20 UNEF	.156 [3.96]	.062 [1.57]	2.900 [73.66]	4.50 [114.0]	.750 [19.05]	1.062 [26.97]	.906 [23.01]	1.188 [30.18]	.120 [3.05]	MS3057-6C	.438 [11.13]	.250 [6.35]
14S	7/8-20 UNEF	.156 [3.96]	.062 [1.57]	2.500 [63.50]	4.00 [101.6]	.562 [14.27]	1.062 [26.97]	.906 [23.01]	1.188 [30.18]	.120 [3.05]	MS3057-6C	.438 [11.13]	.250 [6.35]
16	1-20 UNEF	.156 [3.96]	.062 [1.57]	2.900 [73.66]	4.50 [114.0]	.750 [19.05]	1.188 [30.18]	.969 [24.61]	1.281 [32.54]	.120 [3.05]	MS3057-8C	.531 [13.49]	.312 [7.92]
16S	1-20 UNEF	.156 [3.96]	.062 [1.57]	2.500 [63.50]	4.00 [101.6]	.562 [14.27]	1.188 [30.18]	.969 [24.61]	1.281 [32.54]	.120 [3.05]	MS3057-8C	.531 [13.49]	.312 [7.92]
18	1 1/8-18 UNEF	.203 [5.16]	.094 [2.39]	2.900 [73.66]	4.69 [119.0]	.750 [19.05]	1.312 [33.32]	1.062 [26.97]	1.375 [34.92]	.120 [3.05]	MS3057-10C	.625 [15.88]	.375 [9.52]
20	1 1/4-18 UNEF	.203 [5.16]	.094 [2.39]	3.000 [76.20]	4.69 [119.0]	.750 [19.05]	1.562 [39.67]	1.156 [29.36]	1.500 [38.10]	.120 [3.05]	MS3057-12C	.750 [19.05]	.500 [12.70]
22	1 3/8-18 UNEF	.203 [5.16]	.094 [2.39]	3.000 [76.20]	4.69 [119.0]	.750 [19.05]	1.562 [39.67]	1.250 [31.75]	1.625 [41.27]	.120 [3.05]	MS3057-12C	.750 [19.05]	.500 [12.70]
24	1 1/2-18 UNEF	.203 [5.16]	.094 [2.39]	3.250 [82.55]	4.90 [124.2]	.812 [20.62]	1.750 [44.45]	1.375 [34.92]	1.750 [44.45]	.147 [3.73]	MS3057-16C	.938 [23.83]	.594 [15.09]
28	1 3/4-18 UNS	.203 [5.16]	.094 [2.39]	3.250 [82.55]	5.13 [130.0]	.812 [20.62]	1.750 [44.45]	1.562 [39.67]	2.000 [50.80]	.147 [3.73]	MS3057-16C	.938 [23.83]	.594 [15.09]
32	2-18 UNS	.359 [9.12]	.125 [3.17]	3.600 [91.44]	5.39 [137.0]	.875 [22.22]	2.250 [57.15]	1.750 [44.45]	2.250 [57.15]	.173 [4.39]	MS3057-20C	1.250 [31.75]	.938 [23.83]
36	2 1/4-16 UN	.359 [9.12]	.125 [3.17]	3.600 [91.44]	5.67 [144.0]	.875 [22.22]	2.375 [60.33]	1.938 [49.23]	2.500 [63.50]	.173 [4.39]	MS3057-24C	1.375 [34.93]	.969 [24.61]
40	2 1/2-16 UN	.359 [9.12]	.125 [3.17]	3.900 [99.06]	5.67 [144.0]	.875 [22.22]	2.625 [66.68]	2.188 [55.58]	2.750 [69.85]	.173 [4.39]	MS3057-28C	1.625 [41.28]	1.188 [30.18]
44	2 3/4-16 UN	.359 [9.12]	.125 [3.17]	4.000 [101.60]	*	.875 [22.22]	2.812 [71.42]	2.375 [60.32]	3.000 [76.20]	.173 [4.39]	MS3057-32C	1.875 [47.63]	1.375 [34.93]
48	3-16 UN	.359 [9.12]	.125 [3.17]	4.225 [107.32]	*	.875 [22.22]	3.312 [84.12]	2.625 [66.67]	3.250 [82.55]	.173 [4.39]	MS3057-40C	2.375 [60.33]	1.875 [47.63]

Dimensions in brackets [ ] are in millimeters.

\* Consult Factory



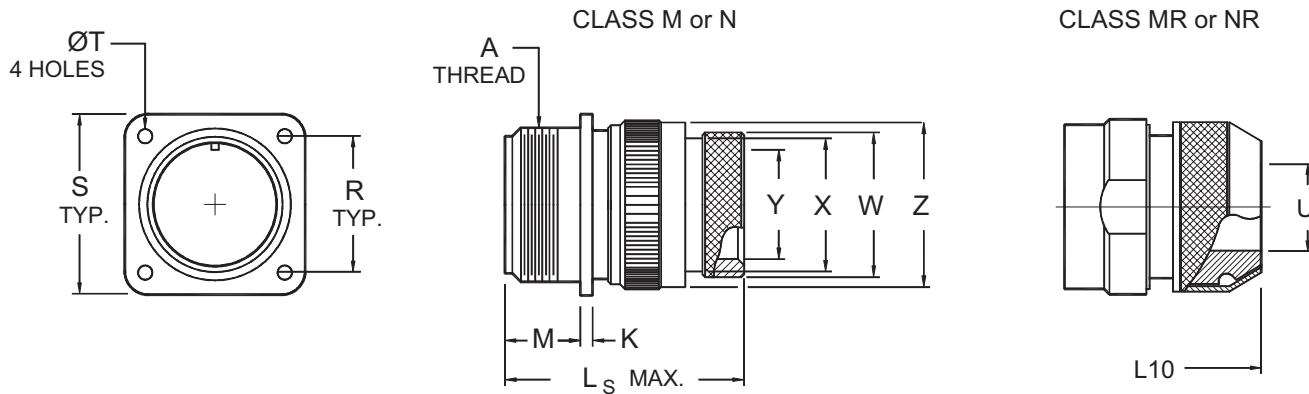
**SCP00L\* Two (2) piece backshell w/ SCP749\*\* clamp, environmental, with grommet**

SHELL SIZE	A COUPLING THREAD CLASS 2A	K		L <sub>L</sub> MAX.	M +.031 -0.00 [+0.79] [-0.00]	N MAX.	R ±.005 [±0.13]	S ±.031 [±0.79]	T +.010 -.005 [+0.25] [-0.13]	CABLE CLAMP
		MIN.	MAX.							
8S	1/2-28 UNEF	.156 [3.96]	.062 [1.57]	2.225 [56.52]	.562 [14.27]	.807 [20.50]	.594 [15.09]	.875 [22.22]	.120 [3.05]	SCP74908-*
10S	5/8-24 UNEF	.156 [3.96]	.062 [1.57]	2.300 [58.42]	.562 [14.27]	.807 [20.50]	.719 [18.26]	1.000 [25.40]	.120 [3.05]	SCP74910-*
10SL	5/8-24 UNEF	.156 [3.96]	.062 [1.57]	2.300 [58.42]	.562 [14.27]	.901 [22.89]	.719 [18.26]	1.000 [25.40]	.120 [3.05]	SCP74911-*
12	3/4-20 UNEF	.156 [3.96]	.062 [1.57]	2.900 [73.66]	.750 [19.05]	.901 [22.89]	.812 [20.62]	1.094 [27.79]	.120 [3.05]	SCP74912-*
12S	3/4-20 UNEF	.156 [3.96]	.062 [1.57]	2.500 [63.50]	.562 [14.27]	.901 [22.89]	.812 [20.62]	1.094 [27.79]	.120 [3.05]	SCP74913-*
14	7/8-20 UNEF	.156 [3.96]	.062 [1.57]	2.900 [73.66]	.750 [19.05]	1.026 [26.06]	.906 [23.01]	1.188 [30.18]	.120 [3.05]	SCP74914-*
14S	7/8-20 UNEF	.156 [3.96]	.062 [1.57]	2.500 [63.50]	.562 [14.27]	1.026 [26.06]	.906 [23.01]	1.188 [30.18]	.120 [3.05]	SCP74915-*
16	1-20 UNEF	.156 [3.96]	.062 [1.57]	2.900 [73.66]	.750 [19.05]	1.119 [28.42]	.969 [24.61]	1.281 [32.54]	.120 [3.05]	SCP74916-*
16S	1-20 UNEF	.156 [3.96]	.062 [1.57]	2.500 [63.50]	.562 [14.27]	1.119 [28.42]	.969 [24.61]	1.281 [32.54]	.120 [3.05]	SCP74917-*
18	1 1/8-18 UNEF	.203 [5.16]	.094 [2.39]	2.900 [73.66]	.750 [19.05]	1.229 [31.22]	1.062 [26.97]	1.375 [34.92]	.120 [3.05]	SCP74918-*
20	1 1/4-18 UNEF	.203 [5.16]	.094 [2.39]	3.000 [76.20]	.750 [19.05]	1.479 [37.57]	1.156 [29.36]	1.500 [38.10]	.120 [3.05]	SCP74920-*
22	1 3/8-18 UNEF	.203 [5.16]	.094 [2.39]	3.000 [76.20]	.750 [19.05]	1.479 [37.57]	1.250 [31.75]	1.625 [41.27]	.120 [3.05]	SCP74922-*
24	1 1/2-18 UNEF	.203 [5.16]	.094 [2.39]	3.250 [82.55]	.812 [20.62]	1.666 [42.32]	1.375 [34.92]	1.750 [44.45]	.147 [3.73]	SCP74924-*
28	1 3/4-18 UNS	.203 [5.16]	.094 [2.39]	3.250 [82.55]	.812 [20.62]	1.666 [42.32]	1.562 [39.67]	2.000 [50.80]	.147 [3.73]	SCP74928-*
32	2-18 UNS	.359 [9.12]	.125 [3.17]	3.600 [91.44]	.875 [22.22]	2.135 [54.23]	1.750 [44.45]	2.250 [57.15]	.173 [4.39]	SCP74932-*
36	2 1/4-16 UN	.359 [9.12]	.125 [3.17]	3.600 [91.44]	.875 [22.22]	2.260 [57.40]	1.938 [49.23]	2.500 [63.50]	.173 [4.39]	SCP74936-*
40	2 1/2-16 UN	.359 [9.12]	.125 [3.17]	3.900 [99.06]	.875 [22.22]	2.510 [63.75]	2.188 [55.58]	2.750 [69.85]	.173 [4.39]	SCP74940-*
44	2 3/4-16 UN	.359 [9.12]	.125 [3.17]	4.000 [101.60]	.875 [22.22]	2.812 [71.42]	2.375 [60.32]	3.000 [76.20]	.173 [4.39]	SCP74944-*
48	3-16 UN	.359 [9.12]	.125 [3.17]	4.225 [107.32]	.875 [22.22]	3.312 [84.12]	2.625 [66.67]	3.250 [82.55]	.173 [4.39]	SCP74948-*

Dimensions in brackets [ ] are in millimeters.

# WALL MOUNT RECEPTACLE

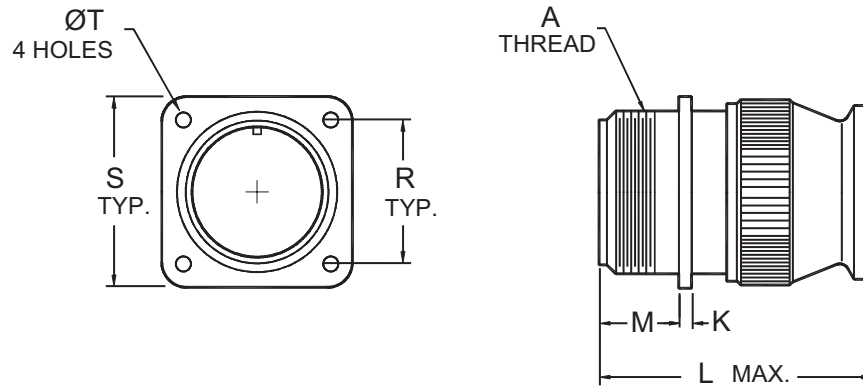
SCP00M, N  
SCP00MR, NR



- SCP00M\* Shrink boot adapter, environmental, less grommet<sup>⊙</sup>
- SCP00MR\* Shrink boot adapter, EMI/RFI, environmental, less grommet<sup>⊙</sup>
- SCP00N\* Shrink boot adapter, environmental, with grommet<sup>⊙</sup>
- SCP00NR\* Shrink boot adapter, EMI/RFI, environmental, with grommet<sup>⊙</sup>

SHELL SIZE	A COUPLING THREAD CLASS 2A	K		L <sub>S</sub> MAX.	L <sub>10</sub> MAX.	M +.031 -.000 [+0.79] [-0.00]	R ±.005 [±0.13]	S ±.031 [±0.79]	T +.010 -.005 [+0.25] [-0.13]	U MAX.	W ±.008 [±0.20]	X MAX.	Y ±.004 [±0.10]	Z ±.008 [±0.20]
		MIN.	MAX.											
8S	1/2-28 UNEF	.156 [3.96]	.062 [1.57]	CONSULT SALES	CONSULT SALES	.562 [14.27]	.594 [15.09]	.875 [22.22]	.120 [3.05]	CONSULT SALES	-	-	-	-
10S	5/8-24 UNEF	.156 [3.96]	.062 [1.57]	2.140 [54.36]	CONSULT SALES	.562 [14.27]	.719 [18.26]	1.000 [25.40]	.120 [3.05]	CONSULT SALES	.605 [15.37]	.524 [13.30]	.669 [17.00]	.734 [18.64]
10SL	5/8-24 UNEF	.156 [3.96]	.062 [1.57]	2.140 [54.36]	2.047 [52.20]	.562 [14.27]	.719 [18.26]	1.000 [25.40]	.120 [3.05]	.338 [8.60]	.605 [15.37]	.524 [13.30]	.311 [7.90]	.734 [18.64]
12	3/4-20 UNEF	.156 [3.96]	.062 [1.57]	2.612 [66.34]	2.480 [63.30]	.750 [19.05]	.812 [20.62]	1.094 [27.79]	.120 [3.05]	.378 [9.60]	.774 [19.66]	.524 [13.30]	.311 [7.90]	.858 [21.79]
12S	3/4-20 UNEF	.156 [3.96]	.062 [1.57]	2.140 [54.36]	2.047 [52.20]	.562 [14.27]	.812 [20.62]	1.094 [27.79]	.120 [3.05]	.378 [9.60]	.774 [19.66]	.524 [13.30]	.311 [7.90]	.858 [21.79]
14	7/8-20 UNEF	.156 [3.96]	.062 [1.57]	2.612 [66.34]	2.480 [63.30]	.750 [19.05]	.906 [23.01]	1.188 [30.18]	.120 [3.05]	.417 [10.60]	.838 [21.29]	.669 [17.00]	.425 [10.80]	.984 [24.99]
14S	7/8-20 UNEF	.156 [3.96]	.062 [1.57]	2.140 [54.36]	2.047 [52.20]	.562 [14.27]	.906 [23.01]	1.188 [30.18]	.120 [3.05]	.417 [10.60]	.838 [21.29]	.669 [17.00]	.425 [10.80]	.984 [24.99]
16	1-20 UNEF	.156 [3.96]	.062 [1.57]	2.612 [66.34]	2.480 [63.30]	.750 [19.05]	.969 [24.61]	1.281 [32.54]	.120 [3.05]	.531 [13.50]	.963 [24.46]	.862 [21.90]	.539 [13.70]	1.112 [28.24]
16S	1-20 UNEF	.156 [3.96]	.062 [1.57]	2.140 [54.36]	2.134 [54.20]	.562 [14.27]	.969 [24.61]	1.281 [32.54]	.120 [3.05]	.531 [13.50]	.963 [24.46]	.862 [21.90]	.539 [13.70]	1.112 [28.24]
18	1 1/8-18 UNEF	.203 [5.16]	.094 [2.39]	2.612 [66.34]	2.540 [64.50]	.750 [19.05]	1.062 [26.97]	1.375 [34.92]	.120 [3.05]	.575 [14.60]	1.042 [26.47]	.885 [22.48]	.583 [14.80]	1.218 [30.94]
20	1 1/4-18 UNEF	.203 [5.16]	.094 [2.39]	2.809 [71.35]	2.540 [64.50]	.750 [19.05]	1.156 [29.36]	1.500 [38.10]	.120 [3.05]	.728 [18.50]	1.217 [30.91]	1.039 [26.39]	.744 [18.90]	1.345 [34.16]
22	1 3/8-18 UNEF	.203 [5.16]	.094 [2.39]	2.809 [71.35]	2.540 [64.50]	.750 [19.05]	1.250 [31.75]	1.625 [41.27]	.120 [3.05]	.819 [20.80]	1.355 [34.42]	1.129 [28.68]	.827 [21.00]	1.468 [37.29]
24	1 1/2-18 UNEF	.203 [5.16]	.094 [2.39]	2.809 [71.35]	2.567 [65.20]	.812 [20.62]	1.375 [34.92]	1.750 [44.45]	.147 [3.73]	.969 [24.60]	1.433 [36.40]	1.247 [31.67]	.976 [24.80]	1.593 [40.46]
28	1 3/4-18 UNS	.203 [5.16]	.094 [2.39]	2.809 [71.35]	2.567 [65.20]	.812 [20.62]	1.562 [39.67]	2.000 [50.80]	.147 [3.73]	1.063 [27.00]	1.709 [43.41]	1.409 [35.79]	1.071 [27.20]	1.969 [50.01]
32	2-18 UNS	.359 [9.12]	.125 [3.17]	3.006 [76.35]	2.630 [66.80]	.875 [22.22]	1.750 [44.45]	2.250 [57.15]	.173 [4.39]	1.131 [28.80]	1.919 [48.74]	1.692 [42.98]	1.319 [33.50]	2.219 [56.36]
36	2 1/4-16 UN	.359 [9.12]	.125 [3.17]	3.203 [81.36]	2.630 [66.80]	.875 [22.22]	1.938 [49.23]	2.500 [63.50]	.173 [4.39]	1.516 [38.50]	2.169 [55.09]	1.948 [49.48]	1.524 [38.70]	2.469 [62.71]
40	2 1/2-16 UN	.359 [9.12]	.125 [3.17]	3.281 [83.34]	2.630 [66.80]	.875 [22.22]	2.188 [55.58]	2.750 [69.85]	.173 [4.39]	1.811 [46.00]	2.402 [61.01]	2.184 [55.47]	1.898 [48.20]	2.719 [69.06]

Dimensions in brackets [ ] are in millimeters.  
⊙ Plug has "O" ring under coupling nut.



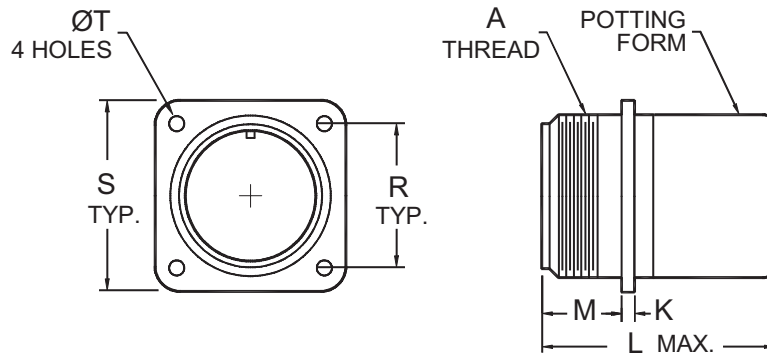
**SCP00R\* Grommet nut, environmental, with grommet®**

SHELL SIZE	A COUPLING THREAD CLASS 2A	K		L MAX.	M +.031 -0.00 [+0.79] [-0.00]	R ±.005 [±0.13]	S ±.010 [±0.79]	T +.010 -0.005 [+0.25] [-0.13]
		MAX.	MIN.					
8S	1/2-28 UNEF	.156 [3.96]	.062 [1.57]	1.838 [46.69]	.562 [14.27]	.594 [15.09]	.875 [22.22]	.120 [3.05]
10S	5/8-24 UNEF	.156 [3.96]	.062 [1.57]	1.838 [46.69]	.562 [14.27]	.719 [18.26]	1.000 [25.40]	.120 [3.05]
10SL	5/8-24 UNEF	.156 [3.96]	.062 [1.57]	1.838 [46.69]	.562 [14.27]	.719 [18.26]	1.000 [25.40]	.120 [3.05]
12	3/4-20 UNEF	.156 [3.96]	.062 [1.57]	2.181 [55.40]	.750 [19.05]	.812 [20.62]	1.094 [27.79]	.120 [3.05]
12S	3/4-20 UNEF	.156 [3.96]	.062 [1.57]	1.838 [46.69]	.562 [14.27]	.812 [20.62]	1.094 [27.79]	.120 [3.05]
14	7/8-20 UNEF	.156 [3.96]	.062 [1.57]	2.181 [55.40]	.750 [19.05]	.906 [23.01]	1.188 [30.18]	.120 [3.05]
14S	7/8-20 UNEF	.156 [3.96]	.062 [1.57]	1.838 [46.69]	.562 [14.27]	.906 [23.01]	1.188 [30.18]	.120 [3.05]
16	1-20 UNEF	.156 [3.96]	.062 [1.57]	2.181 [55.40]	.750 [19.05]	.969 [24.61]	1.281 [32.54]	.120 [3.05]
16S	1-20 UNEF	.156 [3.96]	.062 [1.57]	1.838 [46.69]	.562 [14.27]	.969 [24.61]	1.281 [32.54]	.120 [3.05]
18	1 1/8-18 UNEF	.203 [5.16]	.094 [2.39]	2.281 [57.94]	.750 [19.05]	1.062 [26.97]	1.375 [34.92]	.120 [3.05]
20	1 1/4-18 UNEF	.203 [5.16]	.094 [2.39]	2.281 [57.94]	.750 [19.05]	1.156 [29.36]	1.500 [38.10]	.120 [3.05]
22	1 3/8-18 UNEF	.203 [5.16]	.094 [2.39]	2.281 [57.94]	.750 [19.05]	1.250 [31.75]	1.625 [41.27]	.120 [3.05]
24	1 1/2-18 UNEF	.203 [5.16]	.094 [2.39]	2.281 [57.94]	.812 [20.62]	1.375 [34.92]	1.750 [44.45]	.147 [3.73]
28	1 3/4-18 UNS	.203 [5.16]	.094 [2.39]	2.281 [57.94]	.812 [20.62]	1.562 [39.67]	2.000 [50.80]	.147 [3.73]
32	2-18 UNS	.359 [9.12]	.125 [3.17]	2.322 [58.98]	.875 [22.22]	1.750 [44.45]	2.250 [57.15]	.173 [4.39]
36	2 1/4-16 UN	.359 [9.12]	.125 [3.17]	2.322 [58.98]	.875 [22.22]	1.938 [49.23]	2.500 [63.50]	.173 [4.39]
40	2 1/2-16 UN	.359 [9.12]	.125 [3.17]	2.322 [58.98]	.875 [22.22]	2.188 [55.58]	2.750 [69.85]	.173 [4.39]

Dimensions in brackets [ ] are in millimeters.  
 Ⓞ Plug has "O" ring under coupling nut.

# WALL MOUNT RECEPTACLE

SCP00S



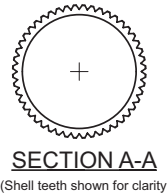
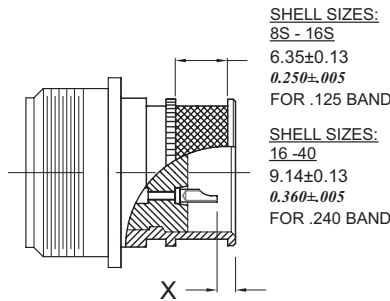
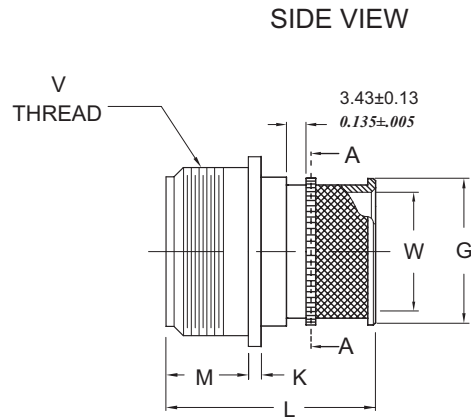
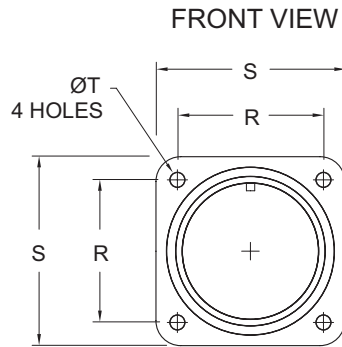
SCP00S\* Potting boot, environmental, less grommet

SHELL SIZE	A COUPLING THREAD CLASS 2A	K		L MAX.	M +.031 -.000 [+0.79] [-0.00]	R ±.005 [±0.13]	S ±.031 [±0.79]	T +.010 -.005 [+0.25] [-0.13]
		MIN.	MAX.					
8S	1/2-28 UNEF	.156 [3.96]	.062 [1.57]	1.531 [38.89]	.562 [14.27]	.594 [15.09]	.875 [22.22]	.120 [3.05]
10S	5/8-24 UNEF	.156 [3.96]	.062 [1.57]	1.531 [38.89]	.562 [14.27]	.719 [18.26]	1.000 [25.40]	.120 [3.05]
10SL	5/8-24 UNEF	.156 [3.96]	.062 [1.57]	1.531 [38.89]	.562 [14.27]	.719 [18.26]	1.000 [25.40]	.120 [3.05]
12	3/4-20 UNEF	.156 [3.96]	.062 [1.57]	1.968 [49.99]	.750 [19.05]	.812 [20.62]	1.094 [27.79]	.120 [3.05]
12S	3/4-20 UNEF	.156 [3.96]	.062 [1.57]	1.531 [38.89]	.562 [14.27]	.812 [20.62]	1.094 [27.79]	.120 [3.05]
14	7/8-20 UNEF	.156 [3.96]	.062 [1.57]	1.968 [49.99]	.750 [19.05]	.906 [23.01]	1.188 [30.18]	.120 [3.05]
14S	7/8-20 UNEF	.156 [3.96]	.062 [1.57]	1.531 [38.89]	.562 [14.27]	.906 [23.01]	1.188 [30.18]	.120 [3.05]
16	1-20 UNEF	.156 [3.96]	.062 [1.57]	1.968 [49.99]	.750 [19.05]	.969 [24.61]	1.281 [32.54]	.120 [3.05]
16S	1-20 UNEF	.156 [3.96]	.062 [1.57]	1.531 [38.89]	.562 [14.27]	.969 [24.61]	1.281 [32.54]	.120 [3.05]
18	1 1/8-18 UNEF	.203 [5.16]	.094 [2.39]	1.968 [49.99]	.750 [19.05]	1.062 [26.97]	1.375 [34.92]	.120 [3.05]
20	1 1/4-18 UNEF	.203 [5.16]	.094 [2.39]	2.188 [55.58]	.750 [19.05]	1.156 [29.36]	1.500 [38.10]	.120 [3.05]
22	1 3/8-18 UNEF	.203 [5.16]	.094 [2.39]	2.188 [55.58]	.750 [19.05]	1.250 [31.75]	1.625 [41.27]	.120 [3.05]
24	1 1/2-18 UNEF	.203 [5.16]	.094 [2.39]	2.188 [55.58]	.812 [20.62]	1.375 [34.92]	1.750 [44.45]	.147 [3.73]
28	1 3/4-18 UNS	.203 [5.16]	.094 [2.39]	2.188 [55.58]	.812 [20.62]	1.562 [39.67]	2.000 [50.80]	.147 [3.73]
32	2-18 UNS	.359 [9.12]	.125 [3.17]	2.188 [55.58]	.875 [22.22]	1.750 [44.45]	2.250 [57.15]	.173 [4.39]
36	2 1/4-16 UN	.359 [9.12]	.125 [3.17]	2.188 [55.58]	.875 [22.22]	1.938 [49.23]	2.500 [63.50]	.173 [4.39]
40	2 1/2-16 UN	.359 [9.12]	.125 [3.17]	2.188 [55.58]	.875 [22.22]	2.188 [55.58]	2.750 [69.85]	.173 [4.39]
44	2 3/4-16 UN	.359 [9.12]	.125 [3.17]	-	.875 [22.22]	2.375 [60.32]	3.000 [76.20]	.173 [4.39]
48	3-16 UN	.359 [9.12]	.125 [3.17]	-	.875 [22.22]	2.625 [66.67]	3.250 [82.55]	.173 [4.39]

Dimensions in brackets [ ] are in millimeters.

# SOLDER CONTACTS (MS3100) WALL MOUNT RECEPTACLE SCPO0SV

1A



SHELL SIZE	X ±.016 [±0.4]	
	.240 BAND	.125 BAND
8S	-	* / *
10SL	-	5.3 / 0.210
10S	-	* / *
12S	-	5.3 / 0.210
12	-	9.8 / 0.385
14S	-	5.3 / 0.210
14	-	9.8 / 0.385
16S	-	5.3 / 0.210
16	1.15 / 0.045	-
18	1.9 / 0.075	-
20	1.9 / 0.075	-
22	1.9 / 0.075	-
24	3.7 / 0.145	-
28	3.7 / 0.145	-
32	5.3 / 0.210	-
36	5.3 / 0.210	-
40	5.3 / 0.210	-

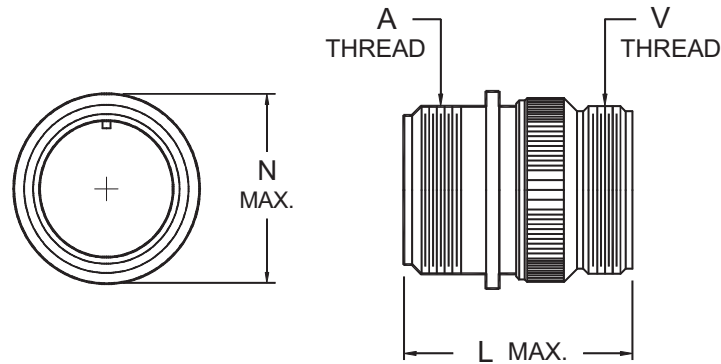
## SCP00SV\* Environmental, no grommet

SHELL SIZE	FRONT VIEW			G MAX	SIDE VIEW					
	R ±.005 [±0.13]	S ±.031 [±0.79]	T +.010 [+0.25] -.005 [-0.13]		K		L MAX	M +.031 [+0.79] -.000 [-0.00]	W MIN	V THREAD CLASS 2A
					MIN	MAX				
8S	0.594 [15.09]	0.875 [22.22]	0.120 [3.05]	*	0.062 [1.57]	0.156 [3.96]	*	0.562 [14.27]	*	.500-28 UNEF
10SL	0.719 [18.26]	1.000 [25.40]	0.120 [3.05]	0.632 [16.10]	0.062 [1.57]	0.156 [3.96]	1.300 [33.02]	0.562 [14.27]	0.475 [12.10]	.625-24 UNEF
10S	0.719 [18.26]	1.000 [25.40]	0.120 [3.05]	0.632 [16.10]	0.062 [1.57]	0.156 [3.96]	*	0.562 [14.27]	0.475 [12.10]	.625-24 UNEF
12S	0.812 [20.62]	1.094 [27.79]	0.120 [3.05]	0.632 [16.10]	0.062 [1.57]	0.156 [3.96]	1.300 [33.02]	0.562 [14.27]	0.475 [12.10]	.750-20 UNEF
12	0.812 [20.62]	1.094 [27.79]	0.120 [3.05]	0.632 [16.10]	0.062 [1.57]	0.156 [3.96]	1.475 [37.47]	0.750 [19.05]	0.475 [12.10]	.750-20 UNEF
14S	0.906 [23.01]	1.188 [30.18]	0.120 [3.05]	0.755 [19.20]	0.062 [1.57]	0.156 [3.96]	1.300 [33.02]	0.562 [14.27]	0.605 [15.40]	.875-20 UNEF
14	0.906 [23.01]	1.188 [30.18]	0.120 [3.05]	0.755 [19.20]	0.062 [1.57]	0.156 [3.96]	1.475 [37.47]	0.750 [19.05]	0.605 [15.40]	.875-20 UNEF
16S	0.969 [24.61]	1.281 [32.54]	0.120 [3.05]	0.880 [22.40]	0.062 [1.57]	0.156 [3.96]	1.300 [33.02]	0.562 [14.27]	0.735 [18.70]	1.000-20 UNEF
16	0.969 [24.61]	1.281 [32.54]	0.120 [3.05]	0.880 [22.40]	0.062 [1.57]	0.156 [3.96]	1.585 [40.26]	0.750 [19.05]	0.735 [18.70]	1.000-20 UNEF
18	1.062 [26.97]	1.375 [34.92]	0.120 [3.05]	1.005 [25.50]	0.094 [2.39]	0.203 [5.16]	1.615 [41.02]	0.750 [19.05]	0.860 [21.90]	1.125-18 UNEF
20	1.156 [29.36]	1.500 [38.10]	0.120 [3.05]	1.130 [28.70]	0.094 [2.39]	0.203 [5.16]	1.615 [41.02]	0.750 [19.05]	0.975 [24.80]	1.250-18 UNEF
22	1.250 [31.75]	1.625 [41.27]	0.120 [3.05]	1.255 [31.90]	0.094 [2.39]	0.203 [5.16]	1.615 [41.02]	0.750 [19.05]	1.105 [28.10]	1.375-18 UNEF
24	1.375 [34.92]	1.750 [44.45]	0.147 [3.73]	1.380 [35.10]	0.094 [2.39]	0.203 [5.16]	1.685 [42.80]	0.812 [20.62]	1.230 [31.20]	1.500-18 UNEF
28	1.562 [39.67]	2.000 [50.80]	0.147 [3.73]	1.630 [41.40]	0.094 [2.39]	0.203 [5.16]	1.685 [42.80]	0.812 [20.62]	1.415 [35.90]	1.750-18 UNS
32	1.750 [44.45]	2.250 [57.15]	0.173 [4.39]	1.880 [47.80]	0.125 [3.17]	0.359 [9.12]	1.750 [44.45]	0.875 [22.22]	1.695 [43.10]	2.000-18 UNS
36	1.938 [49.23]	2.500 [63.50]	0.173 [4.39]	2.067 [52.50]	0.125 [3.17]	0.359 [9.12]	1.750 [44.45]	0.875 [22.22]	1.890 [48.00]	2.250-16 UN
40	2.188 [55.58]	2.750 [69.85]	0.173 [4.39]	2.317 [58.90]	0.125 [3.17]	0.359 [9.12]	1.750 [44.45]	0.875 [22.22]	2.120 [53.80]	2.500-16 UN

Dimensions in brackets [ ] are in millimeters.  
\* Consult Factory

# IN-LINE RECEPTACLE

SCP01A, B, C

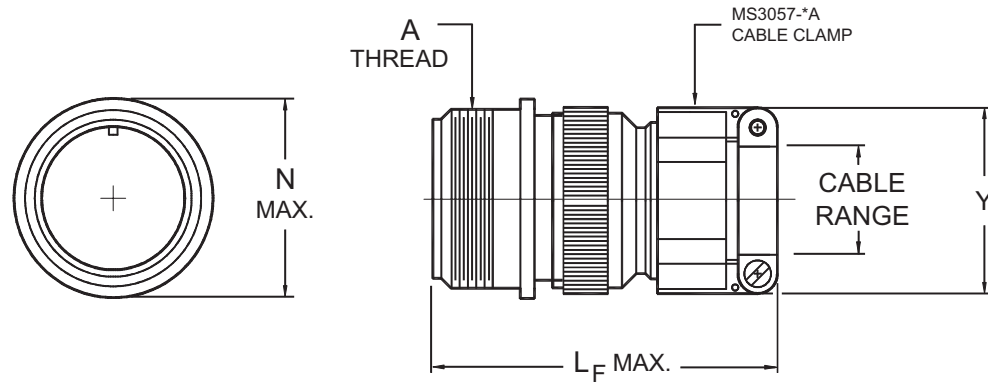


- SCP01A\*** Threaded adapter, non-environmental, less grommet
- SCP01B\*** Threaded adapter, environmental, with grommet
- SCP01C\*** Threaded adapter, environmental, less grommet

SHELL SIZE	A COUPLING THREAD CLASS 2A	L MAX.	N MAX.	V ACCESSORY THREAD CLASS 2A
8S	1/2-28 UNEF	1.469 [37.31]	.844 [21.44]	1/2-28 UNEF
10S	5/8-24 UNEF	1.531 [38.89]	.969 [24.61]	1/2-28 UNEF
10SL	5/8-24 UNEF	1.531 [38.89]	1.062 [26.97]	5/8-24 UNEF
12	3/4-20 UNEF	1.688 [42.88]	1.062 [26.97]	5/8-24 UNEF
12S	3/4-20 UNEF	1.688 [42.88]	1.062 [26.97]	5/8-24 UNEF
14	7/8-20 UNEF	2.062 [52.37]	1.156 [29.36]	3/4-20 UNEF
14S	7/8-20 UNEF	1.688 [42.88]	1.156 [29.36]	3/4-20 UNEF
16	1-20 UNEF	2.062 [52.37]	1.250 [31.75]	7/8-20 UNEF
16S	1-20 UNEF	1.688 [42.88]	1.250 [31.75]	7/8-20 UNEF
18	1 1/8-18 UNEF	2.062 [52.37]	1.344 [34.14]	1-20 UNEF
20	1 1/4-18 UNEF	2.188 [55.58]	1.496 [38.00]	1 3/16-18 UNEF
22	1 3/8-18 UNEF	2.188 [55.58]	1.594 [40.49]	1 3/16-18 UNEF
24	1 1/2-18 UNEF	2.312 [58.72]	1.719 [43.66]	1 7/16-18 UNEF
28	1 3/4-18 UNS	2.312 [58.72]	1.969 [50.01]	1 7/16-18 UNEF
32	2-18 UNS	2.438 [61.93]	2.219 [56.36]	1 3/4-18 UNS
36	2 1/4-16 UN	2.438 [61.93]	2.469 [62.71]	2-18 UNS
40	2 1/2-16 UN	2.438 [61.93]	2.719 [69.06]	2 1/4-16 UN
44	2 3/4-16 UN	2.562 [65.07]	2.969 [75.41]	2 1/2-16 UN
48	3-16 UN	2.562 [65.07]	3.219 [81.76]	3-16 UN

Dimensions in brackets [ ] are in millimeters.





**SCP01D\* Two (2) piece backshell w/ MS3057\*A clamp, environmental, less grommet**

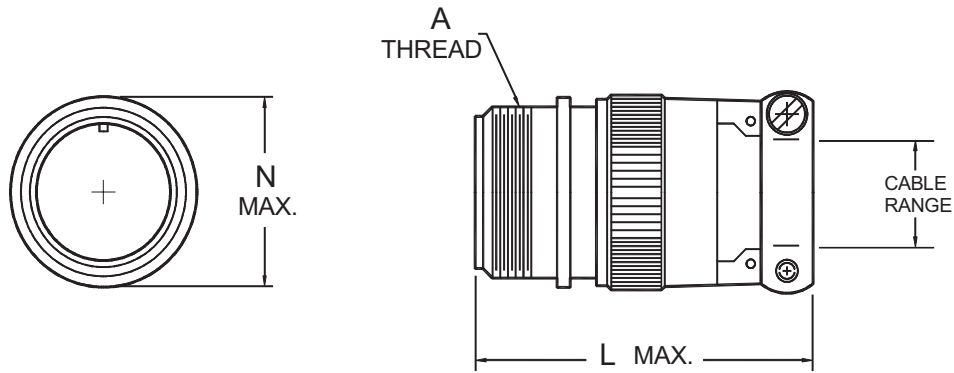
**SCP01F\* Two (2) piece backshell w/ MS3057\*A clamp, environmental, with grommet<sup>®</sup>**

SHELL SIZE	A COUPLING THREAD CLASS 2A	LF MAX.	N MAX.	Y ±.020 [±0.51]	CABLE RANGE	
					OPEN	CLOSED
8S	1/2-28 UNEF	2.225 [56.52]	.844 [21.44]	.825 [20.96]	.250 [6.35]	.125 [3.18]
10S	5/8-24 UNEF	2.300 [58.42]	.969 [24.61]	.825 [20.96]	.250 [6.35]	.125 [3.18]
10SL	5/8-24 UNEF	2.300 [58.42]	1.062 [26.97]	.938 [23.83]	.312 [7.92]	.125 [3.18]
12	3/4-20 UNEF	2.900 [73.66]	1.062 [26.97]	.938 [23.83]	.312 [7.92]	.125 [3.18]
12S	3/4-20 UNEF	2.500 [63.50]	1.062 [26.97]	.938 [23.83]	.312 [7.92]	.125 [3.18]
14	7/8-20 UNEF	2.900 [73.66]	1.156 [29.36]	1.125 [28.58]	.438 [11.13]	.250 [6.35]
14S	7/8-20 UNEF	2.500 [63.50]	1.156 [29.36]	1.125 [28.58]	.438 [11.13]	.250 [6.35]
16	1-20 UNEF	2.900 [73.66]	1.250 [31.75]	1.312 [33.32]	.562 [14.27]	.312 [7.92]
16S	1-20 UNEF	2.500 [63.50]	1.250 [31.75]	1.312 [33.32]	.562 [14.27]	.312 [7.92]
18	1 1/8-18 UNEF	2.900 [73.66]	1.344 [34.14]	1.312 [33.32]	.625 [15.88]	.350 [8.89]
20	1 1/4-18 UNEF	3.000 [76.20]	1.496 [38.00]	1.531 [38.89]	.750 [19.05]	.500 [12.70]
22	1 3/8-18 UNEF	3.000 [76.20]	1.594 [40.49]	1.531 [38.89]	.750 [19.05]	.500 [12.70]
24	1 1/2-18 UNEF	3.250 [82.55]	1.719 [43.66]	1.750 [44.45]	.938 [23.83]	.625 [15.88]
28	1 3/4-18 UNS	3.250 [82.55]	1.969 [50.01]	1.750 [44.45]	.938 [23.83]	.625 [15.88]
32	2-18 UNS	3.600 [91.44]	2.219 [56.36]	2.093 [53.16]	1.250 [31.75]	.875 [22.23]
36	2 1/4-16 UN	3.600 [91.44]	2.469 [62.71]	2.343 [59.51]	1.375 [34.93]	1.000 [25.40]
40	2 1/2-16 UN	3.900 [99.06]	2.719 [69.06]	2.750 [69.85]	1.625 [41.28]	1.250 [31.75]
44	2 3/4-16 UN	4.000 [101.60]	2.969 [75.41]	3.000 [76.20]	1.875 [47.63]	1.437 [36.50]
48	3-16 UN	4.225 [107.32]	3.219 [81.76]	3.530 [89.66]	2.375 [60.33]	1.650 [41.91]

Dimensions in brackets [ ] are in millimeters.  
 ⊕ Plug has "O" ring under coupling nut.

# IN-LINE RECEPTACLE

SCP01E, G



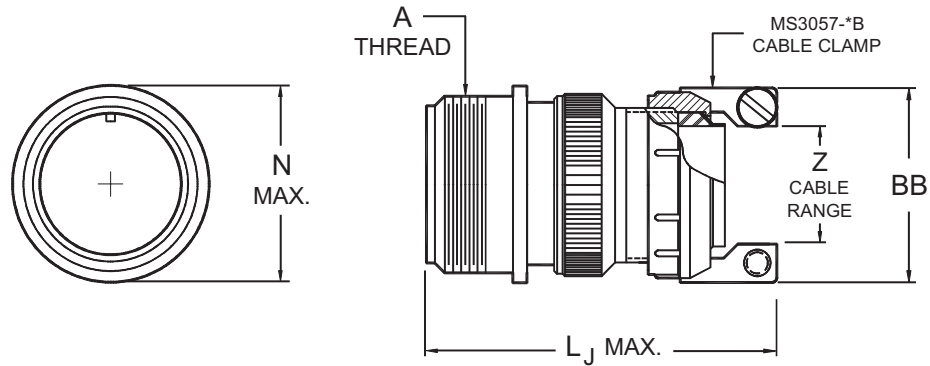
**SCP01E\*** One (1) piece backshell,  
environmental, with grommet

**SCP01G\*** One (1) piece backshell,  
environmental, with grommet<sup>®</sup>

SHELL SIZE	A COUPLING THREAD CLASS 2A	L MAX.	N MAX.	CABLE RANGE	
				OPEN	CLOSED
8S	1/2-28 UNEF	2.250 [57.15]	.844 [21.44]	.250 [6.35]	.125 [3.18]
10S	5/8-24 UNEF	2.250 [57.15]	.969 [24.61]	.250 [6.35]	.125 [3.18]
10SL	5/8-24 UNEF	2.250 [57.15]	1.062 [26.97]	.312 [7.92]	.125 [3.18]
12	3/4-20 UNEF	2.625 [66.67]	1.062 [26.97]	.312 [7.92]	.125 [3.18]
12S	3/4-20 UNEF	2.250 [57.15]	1.062 [26.97]	.312 [7.92]	.125 [3.18]
14	7/8-20 UNEF	2.625 [66.67]	1.156 [29.36]	.438 [11.13]	.250 [6.35]
14S	7/8-20 UNEF	2.250 [57.15]	1.156 [29.36]	.438 [11.13]	.250 [6.35]
16	1-20 UNEF	2.625 [66.67]	1.281 [32.54]	.562 [14.27]	.312 [7.92]
16S	1-20 UNEF	2.250 [57.15]	1.281 [32.54]	.562 [14.27]	.312 [7.92]
18	1 1/8-18 UNEF	2.688 [68.28]	1.344 [34.14]	.625 [15.88]	.350 [8.89]
20	1 1/4-18 UNEF	2.750 [69.85]	1.500 [38.10]	.750 [19.05]	.500 [12.70]
22	1 3/8-18 UNEF	2.750 [69.85]	1.625 [41.27]	.750 [19.05]	.500 [12.70]
24	1 1/2-18 UNEF	2.969 [75.41]	1.750 [44.45]	.938 [23.83]	.625 [15.88]
28	1 3/4-18 UNS	3.031 [76.99]	2.000 [50.80]	.938 [23.83]	.625 [15.88]
32	2-18 UNS	3.031 [76.99]	2.250 [57.15]	1.250 [31.75]	.875 [22.23]
36	2 1/4-16 UN	3.281 [83.34]	2.500 [63.50]	1.375 [34.93]	1.000 [25.40]
40	2 1/2-16 UN	3.500 [88.90]	2.750 [69.85]	1.625 [41.28]	1.250 [31.75]

Dimensions in brackets [ ] are in millimeters.  
 Ⓞ Plug has "O" ring under coupling nut.





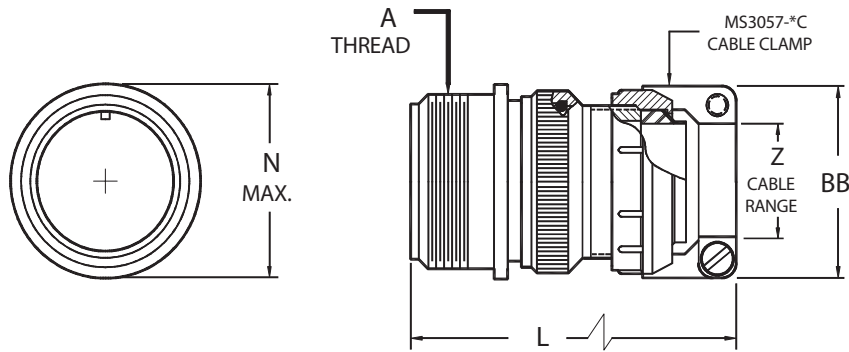
**SCP01J\* Two (2) piece backshell w/ MS3057\*B clamp, environmental, less grommet**

SHELL SIZE	A COUPLING THREAD CLASS 2A	BB MAX.	L <sub>J</sub> MAX.	N MAX.	CABLE CLAMP	Z CABLE RANGE	
						FREE	CLOSED
8S	1/2-28 UNEF	.812 [20.62]	2.225 [56.52]	.844 [21.44]	MS3057-3B	.219 [5.56]	.031 [0.79]
10S	5/8-24 UNEF	.812 [20.62]	2.300 [58.42]	.969 [24.61]	MS3057-3B	.219 [5.56]	.031 [0.79]
10SL	5/8-24 UNEF	.937 [23.80]	2.300 [58.42]	1.062 [26.97]	MS3057-4B	.312 [7.92]	.094 [2.39]
12	3/4-20 UNEF	.937 [23.80]	2.900 [73.66]	1.062 [26.97]	MS3057-4B	.312 [7.92]	.094 [2.39]
12S	3/4-20 UNEF	.937 [23.80]	2.500 [63.50]	1.062 [26.97]	MS3057-4B	.312 [7.92]	.094 [2.39]
14	7/8-20 UNEF	1.062 [26.97]	2.900 [73.66]	1.156 [29.36]	MS3057-6B	.438 [11.13]	.250 [6.35]
14S	7/8-20 UNEF	1.062 [26.97]	2.500 [63.50]	1.156 [29.36]	MS3057-6B	.438 [11.13]	.250 [6.35]
16	1-20 UNEF	1.188 [30.18]	2.900 [73.66]	1.250 [31.75]	MS3057-8B	.531 [13.49]	.312 [7.92]
16S	1-20 UNEF	1.188 [30.18]	2.500 [63.50]	1.250 [31.75]	MS3057-8B	.531 [13.49]	.312 [7.92]
18	1 1/8-18 UNEF	1.312 [33.32]	2.900 [73.66]	1.344 [34.14]	MS3057-10B	.625 [15.88]	.375 [9.52]
20	1 1/4-18 UNEF	1.562 [39.67]	3.000 [76.20]	1.496 [38.00]	MS3057-12B	.750 [19.05]	.500 [12.70]
22	1 3/8-18 UNEF	1.562 [39.67]	3.000 [76.20]	1.594 [40.49]	MS3057-12B	.750 [19.05]	.500 [12.70]
24	1 1/2-18 UNEF	1.750 [44.45]	3.250 [82.55]	1.719 [43.66]	MS3057-16B	.938 [23.83]	.594 [15.09]
28	1 3/4-18 UNS	1.750 [44.45]	3.250 [82.55]	1.969 [50.01]	MS3057-16B	.938 [23.83]	.594 [15.09]
32	2-18 UNS	2.250 [57.15]	3.600 [91.44]	2.219 [56.36]	MS3057-20B	1.250 [31.75]	.938 [23.83]
36	2 1/4-16 UN	2.375 [60.33]	3.600 [91.44]	2.469 [62.71]	MS3057-24B	1.375 [34.93]	.969 [24.61]
40	2 1/2-16 UN	2.625 [66.68]	3.900 [99.06]	2.719 [69.06]	MS3057-28B	1.625 [41.28]	1.188 [30.18]
44	2 3/4-16 UN	2.812 [71.42]	4.000 [101.60]	2.969 [75.41]	MS3057-32B	1.875 [47.63]	1.375 [34.93]
48	3-16 UN	3.312 [84.12]	4.225 [107.32]	3.219 [81.76]	MS3057-40B	2.375 [60.33]	1.875 [47.63]

Dimensions in brackets [ ] are in millimeters.

# IN-LINE RECEPTACLE

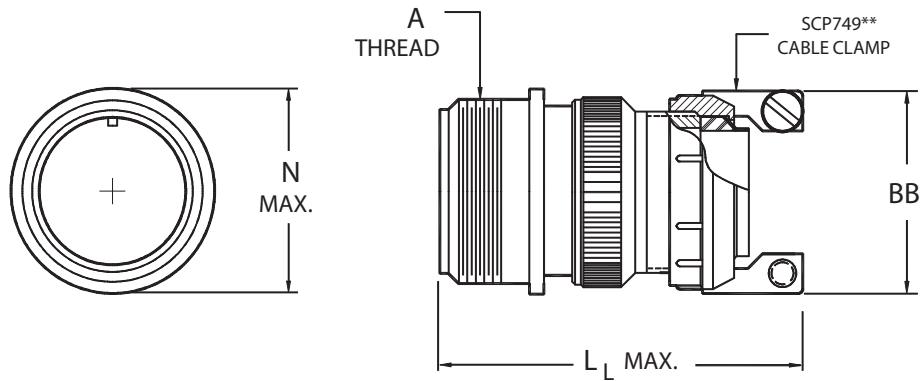
SCP01K, LCF, LCFZ



- SCP01K\*** Two (2) piece backshell w/ MS3057\*C clamp, environmental, less grommet
- SCP01LCF\*** Extended length backshell, environmental, less grommet
- SCP01LCFZ\*** Extended length backshell, environmental, with grommet

SHELL SIZE	A COUPLING THREAD CLASS 2A	BB MAX.	L MAX.		N MAX.	CABLE CLAMP	Z CABLE RANGE	
			K SERIES	LCF SERIES			FREE	CLOSED
8S	1/2-28 UNEF	.812 [20.62]	2.225 [56.52]	4.00 [101.6]	.844 [21.44]	MS3057-3C	.219 [5.56]	.031 [0.79]
10S	5/8-24 UNEF	.812 [20.62]	2.300 [58.42]	4.00 [101.6]	.969 [24.61]	MS3057-3C	.219 [5.56]	.031 [0.79]
10SL	5/8-24 UNEF	.937 [23.80]	2.300 [58.42]	4.00 [101.6]	1.062 [26.97]	MS3057-4C	.312 [7.92]	.094 [2.39]
12	3/4-20 UNEF	.937 [23.80]	2.900 [73.66]	4.50 [114.0]	1.062 [26.97]	MS3057-4C	.312 [7.92]	.094 [2.39]
12S	3/4-20 UNEF	.937 [23.80]	2.500 [63.50]	4.00 [101.6]	1.062 [26.97]	MS3057-4C	.312 [7.92]	.094 [2.39]
14	7/8-20 UNEF	1.062 [26.97]	2.900 [73.66]	4.50 [114.0]	1.156 [29.36]	MS3057-6C	.438 [11.13]	.250 [6.35]
14S	7/8-20 UNEF	1.062 [26.97]	2.500 [63.50]	4.00 [101.6]	1.156 [29.36]	MS3057-6C	.438 [11.13]	.250 [6.35]
16	1-20 UNEF	1.188 [30.18]	2.900 [73.66]	4.50 [114.0]	1.250 [31.75]	MS3057-8C	.531 [13.49]	.312 [7.92]
16S	1-20 UNEF	1.188 [30.18]	2.500 [63.50]	4.00 [101.6]	1.250 [31.75]	MS3057-8C	.531 [13.49]	.312 [7.92]
18	1 1/8-18 UNEF	1.312 [33.32]	2.900 [73.66]	4.69 [119.0]	1.344 [34.14]	MS3057-10C	.625 [15.88]	.375 [9.52]
20	1 1/4-18 UNEF	1.562 [39.67]	3.000 [76.20]	4.69 [119.0]	1.496 [38.00]	MS3057-12C	.750 [19.05]	.500 [12.70]
22	1 3/8-18 UNEF	1.562 [39.67]	3.000 [76.20]	4.69 [119.0]	1.594 [40.49]	MS3057-12C	.750 [19.05]	.500 [12.70]
24	1 1/2-18 UNEF	1.750 [44.45]	3.250 [82.55]	4.90 [124.2]	1.719 [43.66]	MS3057-16C	.938 [23.83]	.594 [15.09]
28	1 3/4-18 UNS	1.750 [44.45]	3.250 [82.55]	5.13 [130.0]	1.969 [50.01]	MS3057-16C	.938 [23.83]	.594 [15.09]
32	2-18 UNS	2.250 [57.15]	3.600 [91.44]	5.39 [137.0]	2.219 [56.36]	MS3057-20C	1.250 [31.75]	.938 [23.83]
36	2 1/4-16 UN	2.375 [60.33]	3.600 [91.44]	5.67 [144.0]	2.469 [62.71]	MS3057-24C	1.375 [34.93]	.969 [24.61]
40	2 1/2-16 UN	2.625 [66.68]	3.900 [99.06]	5.67 [144.0]	2.719 [69.06]	MS3057-28C	1.625 [41.28]	1.188 [30.18]
44	2 3/4-16 UN	2.812 [71.42]	4.000 [101.60]	*	2.969 [75.41]	MS3057-32C	1.875 [47.63]	1.375 [34.93]
48	3-16 UN	3.312 [84.12]	4.225 [107.32]	*	3.219 [81.76]	MS3057-40C	2.375 [60.33]	1.875 [47.63]

Dimensions in brackets [ ] are in millimeters.  
\* Consult factory.



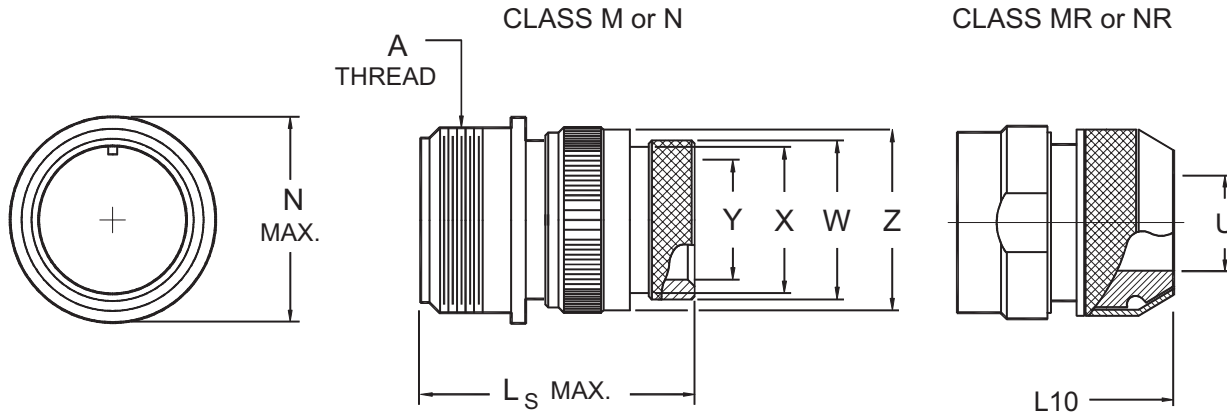
**SCP01L\* Two (2) piece backshell w/  
SCP749\*\* clamp, environmental,  
with grommet**

SHELL SIZE	A COUPLING THREAD CLASS 2A	BB MAX.	L L MAX.	N MAX.	CABLE CLAMP
8S	1/2-28 UNEF	.807 [20.50]	2.225 [56.52]	.844 [21.44]	SCP74908.*
10S	5/8-24 UNEF	.807 [20.50]	2.300 [58.42]	.969 [24.61]	SCP74910.*
10SL	5/8-24 UNEF	.901 [22.89]	2.300 [58.42]	1.062 [26.97]	SCP74911.*
12	3/4-20 UNEF	.901 [22.89]	2.900 [73.66]	1.062 [26.97]	SCP74912.*
12S	3/4-20 UNEF	.901 [22.89]	2.500 [63.50]	1.062 [26.97]	SCP74913.*
14	7/8-20 UNEF	1.026 [26.06]	2.900 [73.66]	1.156 [29.36]	SCP74914.*
14S	7/8-20 UNEF	1.026 [26.06]	2.500 [63.50]	1.156 [29.36]	SCP74915.*
16	1-20 UNEF	1.119 [28.42]	2.900 [73.66]	1.250 [31.75]	SCP74916.*
16S	1-20 UNEF	1.119 [28.42]	2.500 [63.50]	1.250 [31.75]	SCP74917.*
18	1 1/8-18 UNEF	1.229 [31.22]	2.900 [73.66]	1.344 [34.14]	SCP74918.*
20	1 1/4-18 UNEF	1.479 [37.57]	3.000 [76.20]	1.496 [38.00]	SCP74920.*
22	1 3/8-18 UNEF	1.479 [37.57]	3.000 [76.20]	1.594 [40.49]	SCP74922.*
24	1 1/2-18 UNEF	1.666 [42.32]	3.250 [82.55]	1.719 [43.66]	SCP74924.*
28	1 3/4-18 UNS	1.666 [42.32]	3.250 [82.55]	1.969 [50.01]	SCP74928.*
32	2-18 UNS	2.135 [54.23]	3.600 [91.44]	2.219 [56.36]	SCP74932.*
36	2 1/4-16 UN	2.260 [57.40]	3.600 [91.44]	2.469 [62.71]	SCP74936.*
40	2 1/2-16 UN	2.510 [63.75]	3.900 [99.06]	2.719 [69.06]	SCP74940.*
44	2 3/4-16 UN	2.812 [71.42]	4.000 [101.60]	2.969 [75.41]	SCP74944.*
48	3-16 UN	3.312 [84.12]	4.225 [107.32]	3.219 [81.76]	SCP74948.*

Dimensions in brackets [ ] are in millimeters.

# IN-LINE RECEPTACLE

SCP01M, N  
SCP01MR, NR



- SCP01M\* Shrink boot adapter, environmental, less grommet<sup>®</sup>
- SCP01MR\* Shrink boot adapter, EMI/RFI, environmental, less grommet<sup>®</sup>
- SCP01N\* Shrink boot adapter, environmental, with grommet<sup>®</sup>
- SCP01NR\* Shrink boot adapter, EMI/RFI, environmental, with grommet<sup>®</sup>

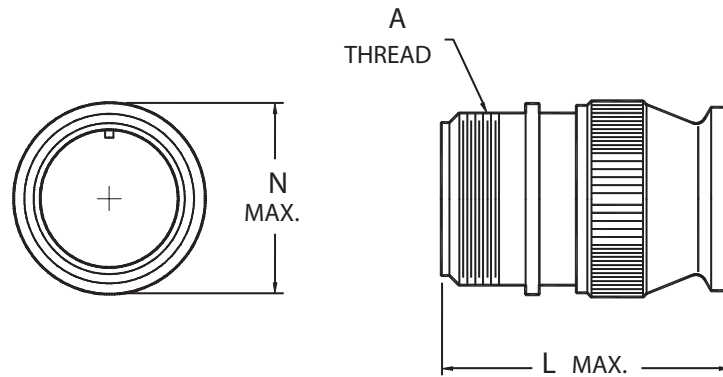
SHELL SIZE	A COUPLING THREAD CLASS 2A	L <sub>S</sub> MAX.	L <sub>10</sub> MAX.	N MAX.	U MAX.	W ±.008 [±0.20]	X MAX.	Y ±.004 [±0.10]	Z ±.008 [±0.20]
8S	1/2-28 UNEF	-	*	.844 [21.44]	*	-	-	-	-
10S	5/8-24 UNEF	2.140 [54.36]	*	.969 [24.61]	*	.605 [15.37]	.524 [13.30]	.311 [7.90]	.734 [18.64]
10SL	5/8-24 UNEF	2.140 [54.36]	2.047 [52.20]	1.062 [26.97]	.338 [8.60]	.605 [15.37]	.524 [13.30]	.311 [7.90]	.734 [18.64]
12	3/4-20 UNEF	2.612 [66.34]	2.480 [63.30]	1.062 [26.97]	.378 [9.60]	.774 [19.66]	.524 [13.30]	.311 [7.90]	.858 [21.79]
12S	3/4-20 UNEF	2.140 [54.36]	2.047 [52.20]	1.062 [26.97]	.378 [9.60]	.774 [19.66]	.524 [13.30]	.311 [7.90]	.858 [21.79]
14	7/8-20 UNEF	2.612 [66.34]	2.480 [63.30]	1.156 [29.36]	.417 [10.60]	.838 [21.29]	.669 [17.00]	.425 [10.80]	.984 [24.99]
14S	7/8-20 UNEF	2.140 [54.36]	2.047 [52.20]	1.156 [29.36]	.417 [10.60]	.838 [21.29]	.669 [17.00]	.425 [10.80]	.984 [24.99]
16	1-20 UNEF	2.612 [66.34]	2.480 [63.30]	1.250 [31.75]	.531 [13.50]	.963 [24.46]	.862 [21.90]	.539 [13.70]	1.112 [28.24]
16S	1-20 UNEF	2.140 [54.36]	2.134 [54.20]	1.250 [31.75]	.531 [13.50]	.963 [24.46]	.862 [21.90]	.539 [13.70]	1.112 [28.24]
18	1 1/8-18 UNEF	2.612 [66.34]	2.540 [64.50]	1.344 [34.14]	.575 [14.60]	1.042 [26.47]	.885 [22.48]	.583 [14.80]	1.218 [30.94]
20	1 1/4-18 UNEF	2.809 [71.35]	2.540 [64.50]	1.496 [38.00]	.728 [18.50]	1.217 [30.91]	1.039 [26.39]	.744 [18.90]	1.345 [34.16]
22	1 3/8-18 UNEF	2.809 [71.35]	2.540 [64.50]	1.594 [40.49]	.819 [20.80]	1.355 [34.42]	1.129 [28.68]	.827 [21.00]	1.468 [37.29]
24	1 1/2-18 UNEF	2.809 [71.35]	2.567 [65.20]	1.719 [43.66]	.969 [24.60]	1.433 [36.40]	1.247 [31.67]	.976 [24.80]	1.593 [40.46]
28	1 3/4-18 UNS	2.809 [71.35]	2.567 [65.20]	1.969 [50.01]	1.063 [27.00]	1.709 [43.41]	1.409 [35.79]	1.071 [27.20]	1.969 [50.01]
32	2-18 UNS	3.006 [76.35]	2.630 [66.80]	2.219 [56.36]	1.131 [33.30]	1.919 [48.74]	1.692 [42.98]	1.319 [33.50]	2.219 [56.36]
36	2 1/4-16 UN	3.203 [81.36]	2.630 [66.80]	2.469 [62.71]	1.516 [38.50]	2.169 [55.09]	1.948 [49.48]	1.524 [38.70]	2.469 [62.71]
40	2 1/2-16 UN	3.281 [83.34]	2.630 [66.80]	2.719 [69.06]	1.811 [46.00]	2.402 [61.01]	2.184 [55.47]	1.898 [48.20]	2.719 [69.06]

Dimensions in brackets [ ] are in millimeters.

\* Consult factory.

⊙ Plug has "O" ring under coupling nut.





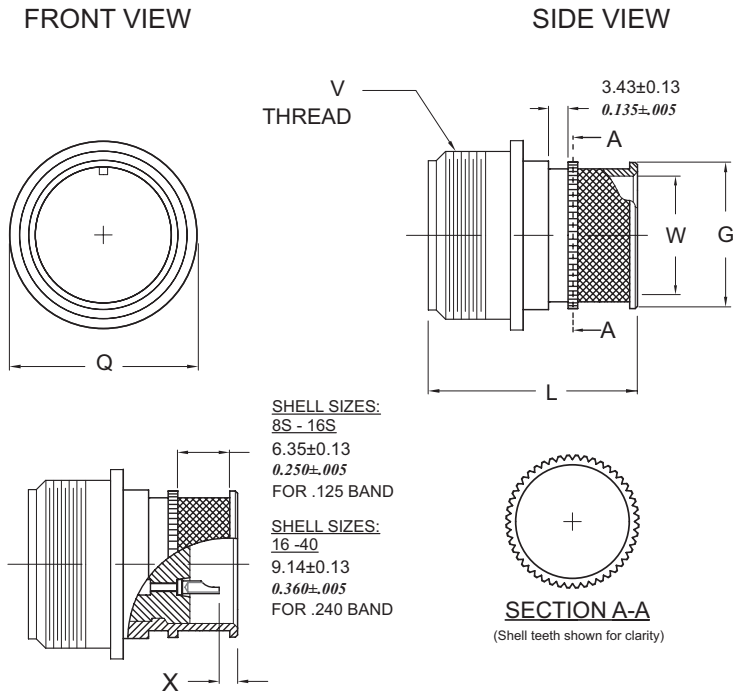
**SCP01R\* Grommet nut, environmental,  
with grommet<sup>⊙</sup>**

SHELL SIZE	A COUPLING THREAD CLASS 2A	L MAX.	N MAX.
8S	1/2-28 UNEF	1.838 [46.69]	.844 [21.44]
10S	5/8-24 UNEF	1.838 [46.69]	.969 [24.61]
10SL	5/8-24 UNEF	1.838 [46.69]	1.062 [26.97]
12	3/4-20 UNEF	2.181 [55.40]	1.062 [26.97]
12S	3/4-20 UNEF	1.838 [46.69]	1.062 [26.97]
14	7/8-20 UNEF	2.181 [55.40]	1.156 [29.36]
14S	7/8-20 UNEF	1.838 [46.69]	1.156 [29.36]
16	1-20 UNEF	2.181 [55.40]	1.281 [32.54]
16S	1-20 UNEF	1.838 [46.69]	1.281 [32.54]
18	1 1/8-18 UNEF	2.281 [57.94]	1.344 [34.14]
20	1 1/4-18 UNEF	2.281 [57.94]	1.500 [38.10]
22	1 3/8-18 UNEF	2.281 [57.94]	1.625 [41.27]
24	1 1/2-18 UNEF	2.281 [57.94]	1.750 [44.45]
28	1 3/4-18 UNS	2.281 [57.94]	2.000 [50.80]
32	2-18 UNS	2.322 [58.98]	2.250 [57.15]
36	2 1/4-16 UN	2.322 [58.98]	2.500 [63.50]
40	2 1/2-16 UN	2.322 [58.98]	2.750 [69.85]

Dimensions in brackets [ ] are in millimeters.  
 ⊙ Plug has "O" ring under coupling nut.

# IN-LINE RECEPTACLE SOLDER CONTACTS (MS3101)

SCP01SV



## SCP01SV\* Environmental, no grommet

SHELL SIZE	FRONT VIEW	SIDE VIEW					
	Q	G	L	W	V	X	
	MAX	MAX	MAX	MIN	THREAD CLASS 2A	.240 BAND	.120 BAND
8S	0.844 [21.44]	*	*	*	.500-28 UNEF	-	*
10SL	1.062 [26.97]	0.632 [16.1]	1.300 [33.02]	0.475 [12.1]	.625-24 UNEF	-	0.210 [5.3]
10S	0.969 [24.61]	0.632 [16.1]	*	0.475 [12.1]	.625-24 UNEF	-	*
12S	1.062 [26.97]	0.632 [16.1]	1.300 [33.02]	0.475 [12.1]	.750-20 UNEF	-	0.210 [5.3]
12	1.062 [26.97]	0.632 [16.1]	1.475 [37.47]	0.475 [12.1]	.750-20 UNEF	-	0.385 [9.8]
14S	1.156 [29.36]	0.755 [19.2]	1.300 [33.02]	0.605 [15.4]	.875-20 UNEF	-	0.210 [5.3]
14	1.156 [29.36]	0.755 [19.2]	1.475 [37.47]	0.605 [15.4]	.875-20 UNEF	-	0.385 [9.8]
16S	1.281 [32.54]	0.880 [22.4]	1.300 [33.02]	0.735 [18.7]	1.000-20 UNEF	-	0.210 [5.3]
16	1.281 [32.54]	0.880 [22.4]	1.585 [40.26]	0.735 [18.7]	1.000-20 UNEF	0.045 [1.15]	-
18	1.344 [34.14]	1.005 [25.5]	1.615 [41.02]	0.860 [21.9]	1.125-18 UNEF	0.075 [1.9]	-
20	1.500 [38.10]	1.130 [28.7]	1.615 [41.02]	0.975 [24.8]	1.250-18 UNEF	0.075 [1.9]	-
22	1.625 [41.27]	1.255 [31.9]	1.615 [41.02]	1.105 [28.1]	1.375-18 UNEF	0.075 [1.9]	-
24	1.750 [44.45]	1.380 [35.1]	1.685 [42.80]	1.230 [31.2]	1.500-18 UNEF	0.145 [3.7]	-
28	2.000 [50.80]	1.630 [41.4]	1.685 [42.80]	1.415 [35.9]	1.750-18 UNS	0.145 [3.7]	-
32	2.250 [57.15]	1.880 [47.8]	1.750 [44.45]	1.695 [43.1]	2.000-18 UNS	0.210 [5.3]	-
36	2.500 [63.50]	2.067 [52.5]	1.750 [44.45]	1.890 [48.0]	2.250-16 UN	0.210 [5.3]	-
40	2.750 [69.85]	2.317 [58.9]	1.750 [44.45]	2.120 [53.8]	2.500-16 UN	0.210 [5.3]	-

Dimensions in brackets [ ] are in millimeters.

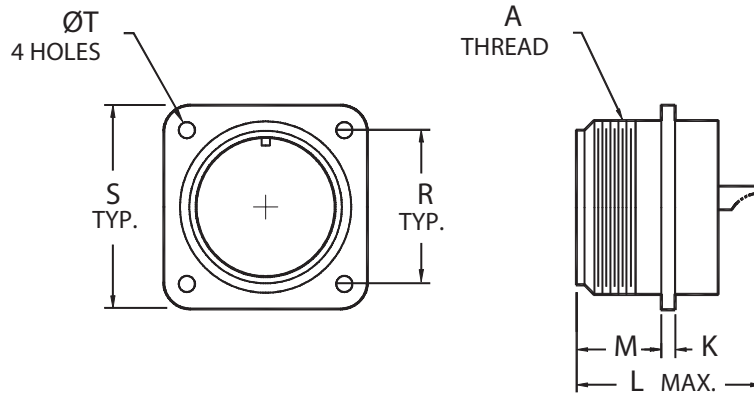
\* Consult Factory



# BOX MOUNT RECEPTACLE

SCP02Y, Z

1A



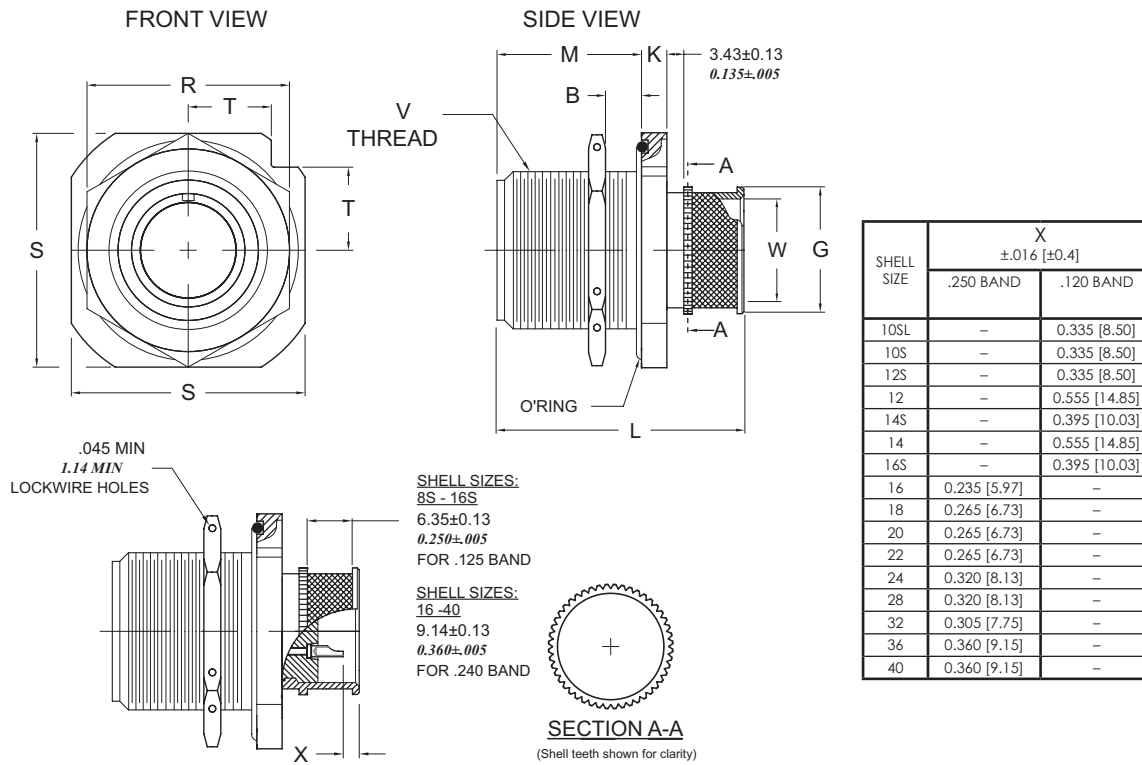
**SCP01Y\* Environmental**  
**SCP01Z\* Non-environmental**

SHELL SIZE	A COUPLING THREAD CLASS 2A	K		L MAX.	M +.031 -.000 [+0.79] [-0.00]	R ±.005 [±0.13]	S ±.031 [±0.79]	T +.010 -.005 [+0.25] [-0.13]
		MAX.	MIN.					
8S	1/2-28 UNEF	.156 [3.96]	.062 [1.57]	1.219 [30.96]	.562 [14.27]	.594 [15.09]	.875 [22.22]	.120 [3.05]
10S	5/8-24 UNEF	.156 [3.96]	.062 [1.57]	1.219 [30.96]	.562 [14.27]	.719 [18.26]	1.000 [25.40]	.120 [3.05]
10SL	5/8-24 UNEF	.156 [3.96]	.062 [1.57]	1.219 [30.96]	.562 [14.27]	.719 [18.26]	1.000 [25.40]	.120 [3.05]
12	3/4-20 UNEF	.156 [3.96]	.062 [1.57]	1.625 [41.28]	.750 [19.05]	.812 [20.62]	1.094 [27.79]	.120 [3.05]
12S	3/4-20 UNEF	.156 [3.96]	.062 [1.57]	1.219 [30.96]	.562 [14.27]	.812 [20.62]	1.094 [27.79]	.120 [3.05]
14	7/8-20 UNEF	.156 [3.96]	.062 [1.57]	1.625 [41.28]	.750 [19.05]	.906 [23.01]	1.188 [30.18]	.120 [3.05]
14S	7/8-20 UNEF	.156 [3.96]	.062 [1.57]	1.219 [30.96]	.562 [14.27]	.906 [23.01]	1.188 [30.18]	.120 [3.05]
16	1-20 UNEF	.156 [3.96]	.062 [1.57]	1.625 [41.28]	.750 [19.05]	.969 [24.61]	1.281 [32.54]	.120 [3.05]
16S	1-20 UNEF	.156 [3.96]	.062 [1.57]	1.219 [30.96]	.562 [14.27]	.969 [24.61]	1.281 [32.54]	.120 [3.05]
18	1 1/8-18 UNEF	.203 [5.16]	.094 [2.39]	1.938 [49.23]	.750 [19.05]	1.062 [26.97]	1.375 [34.92]	.120 [3.05]
20	1 1/4-18 UNEF	.203 [5.16]	.094 [2.39]	1.938 [49.23]	.750 [19.05]	1.156 [29.36]	1.500 [38.10]	.120 [3.05]
22	1 3/8-18 UNEF	.203 [5.16]	.094 [2.39]	1.938 [49.23]	.750 [19.05]	1.250 [31.75]	1.625 [41.27]	.120 [3.05]
24	1 1/2-18 UNEF	.203 [5.16]	.094 [2.39]	1.938 [49.23]	.812 [20.62]	1.375 [34.92]	1.750 [44.45]	.147 [3.73]
28	1 3/4-18 UNS	.203 [5.16]	.094 [2.39]	1.938 [49.23]	.812 [20.62]	1.562 [39.67]	2.000 [50.80]	.147 [3.73]
32	2-18 UNS	.359 [9.12]	.125 [3.17]	1.938 [49.23]	.875 [22.22]	1.750 [44.45]	2.250 [57.15]	.173 [4.39]
36	2 1/4-16 UN	.359 [9.12]	.125 [3.17]	1.938 [49.23]	.875 [22.22]	1.983 [50.37]	2.500 [63.50]	.173 [4.39]
40	2 1/2-16 UN	.359 [9.12]	.125 [3.17]	1.938 [49.23]	.875 [22.22]	2.188 [55.58]	2.750 [69.85]	.173 [4.39]

Dimensions in brackets [ ] are in millimeters.

# JAM NUT RECEPTACLE SOLDER CONTACTS

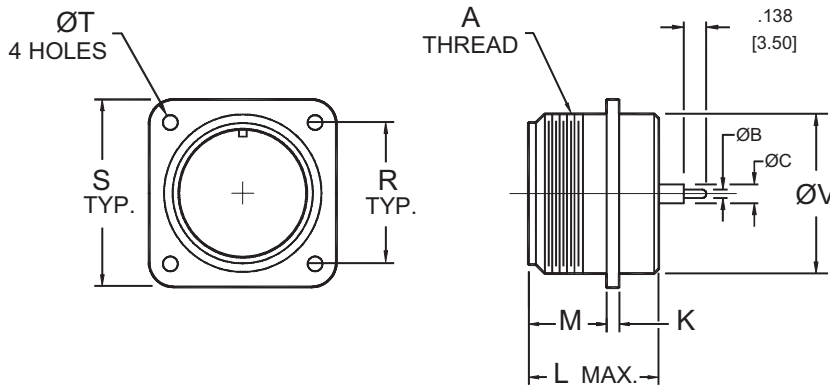
## SCP04SV



### SCP04SV\* Environmental, less grommet

SHELL SIZE	FRONT VIEW			G MAX.	SIDE VIEW						
	R	S	T		B PANEL THICKNESS		M	K	L	W	V
	±0.016 [±0.4]	±0.010 [±0.25]	±0.010 [±0.25]		MIN.	MAX.	±0.010 [±0.25]	±0.005 [±0.13]	MAX.	MIN	THREAD
10SL	0.812 [20.62]	1.000 [25.40]	0.354 [8.99]	0.632 [16.10]	0.000 [0.00]	0.197 [5.00]	0.806 [20.47]	0.125 [3.18]	1.425 [36.20]	0.475 [12.10]	.625-24 UNEF
10S	0.812 [20.62]	1.000 [25.40]	0.354 [8.99]	0.632 [16.10]	0.000 [0.00]	0.197 [5.00]	0.806 [20.47]	0.125 [3.18]	1.425 [36.20]	0.475 [12.10]	.625-24 UNEF
12S	0.938 [23.83]	1.125 [28.58]	0.397 [10.08]	0.632 [16.10]	0.000 [0.00]	0.197 [5.00]	0.806 [20.47]	0.125 [3.18]	1.425 [36.20]	0.475 [12.10]	.750-20 UNEF
12	0.938 [23.83]	1.125 [28.58]	0.397 [10.08]	0.632 [16.10]	0.000 [0.00]	0.197 [5.00]	1.055 [26.80]	0.125 [3.18]	1.675 [42.50]	0.475 [12.10]	.750-20 UNEF
14S	1.062 [26.97]	1.250 [31.75]	0.442 [11.23]	0.755 [19.20]	0.000 [0.00]	0.199 [5.05]	0.869 [22.07]	0.125 [3.18]	1.485 [37.70]	0.605 [15.40]	.875-20 UNEF
14	1.062 [26.97]	1.250 [31.75]	0.442 [11.23]	0.755 [19.20]	0.000 [0.00]	0.134 [3.40]	1.055 [26.80]	0.125 [3.18]	1.675 [42.50]	0.605 [15.40]	.875-20 UNEF
16S	1.250 [31.75]	1.375 [34.93]	0.486 [12.34]	0.880 [22.40]	0.000 [0.00]	0.199 [5.05]	0.869 [22.07]	0.125 [3.18]	1.485 [37.70]	0.735 [18.70]	1.000-20 UNEF
16	1.250 [31.75]	1.375 [34.93]	0.486 [12.34]	0.880 [22.40]	0.000 [0.00]	0.134 [3.40]	1.055 [26.80]	0.125 [3.18]	1.775 [45.10]	0.735 [18.70]	1.000-20 UNEF
18	1.312 [33.32]	1.625 [41.28]	0.575 [14.61]	1.005 [25.50]	0.000 [0.00]	0.134 [3.40]	1.055 [26.80]	0.156 [3.96]	1.805 [45.90]	0.860 [21.90]	1.125-18 UNEF
20	1.500 [38.10]	1.750 [44.45]	0.619 [15.72]	1.130 [28.70]	0.000 [0.00]	0.134 [3.40]	1.055 [26.80]	0.156 [3.96]	1.805 [45.90]	0.975 [24.80]	1.250-18 UNEF
22	1.562 [39.67]	1.875 [47.63]	0.663 [16.84]	1.255 [31.90]	0.000 [0.00]	0.134 [3.40]	1.055 [26.80]	0.156 [3.96]	1.805 [45.90]	1.105 [28.10]	1.375-18 UNEF
24	1.750 [44.45]	2.000 [50.80]	0.707 [17.96]	1.380 [35.10]	0.000 [0.00]	0.167 [4.24]	1.088 [27.64]	0.172 [4.37]	1.860 [47.24]	1.230 [31.20]	1.500-18 UNEF
28	2.000 [50.80]	2.250 [57.15]	0.795 [20.19]	1.630 [41.40]	0.000 [0.00]	0.167 [4.24]	1.088 [27.64]	0.172 [4.37]	1.860 [47.24]	1.415 [35.90]	1.750-18 UNS
32	2.188 [55.58]	2.500 [63.50]	0.884 [22.45]	1.880 [47.80]	0.000 [0.00]	0.135 [3.43]	1.056 [26.82]	0.188 [4.78]	1.845 [46.70]	1.695 [43.10]	2.000-18 UNS
36	2.438 [61.93]	2.750 [69.85]	0.972 [24.69]	2.067 [52.50]	0.000 [0.00]	0.166 [4.22]	1.118 [28.40]	0.188 [4.78]	1.900 [48.30]	1.890 [48.00]	2.250-16 UN
40	2.812 [71.42]	3.000 [76.20]	1.060 [26.92]	2.317 [58.90]	0.000 [0.00]	0.166 [4.22]	1.118 [28.40]	0.188 [4.78]	1.900 [48.30]	2.120 [53.80]	2.500-16 UN

Dimensions in brackets [ ] are in millimeters.



AVAILABLE CONTACT	ØB +.000 -.002 [+0.00] [-0.05]	ØC +.000 -.004 [+0.00] [-0.10]
16S & 16	.030 [0.75]	.063 [1.60]
12	.071 [1.80]	.134 [3.40]

CONNECTORS ARE AVAILABLE ONLY WITH ARRANGEMENTS HAVING CONTACT SIZES 16S, 16 & 12. FOR DIFFERENT CONTACT SIZES CONSULT FACTORY.

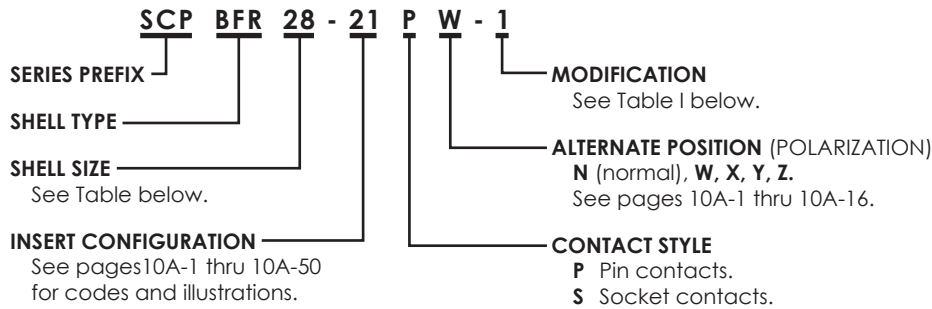
**SCP09\* Environmental**

SHELL SIZE	A COUPLING THREAD CLASS 2A	K ±.008 [±0.20]	L MAX.	M +.031 -.000 [+0.79] [-0.00]	R ±.005 [±0.13]	S ±.031 [±0.79]	T +.010 -.005 [+0.25] [-0.13]	ØV MAX.
8S	1/2-28 UNEF	.110 [2.80]	.984 [25.00]	.562 [14.27]	.594 [15.09]	.875 [22.22]	.120 [3.05]	.374 [9.50]
10S	5/8-24 UNEF	.110 [2.80]	.984 [25.00]	.562 [14.27]	.719 [18.26]	1.000 [25.40]	.120 [3.05]	.512 [13.00]
10SL	5/8-24 UNEF	.110 [2.80]	.984 [25.00]	.562 [14.27]	.719 [18.26]	1.000 [25.40]	.120 [3.05]	.634 [16.10]
12	3/4-20 UNEF	.110 [2.80]	1.343 [34.10]	.750 [19.05]	.812 [20.62]	1.094 [27.79]	.120 [3.05]	.634 [16.10]
12S	3/4-20 UNEF	.110 [2.80]	.984 [25.00]	.562 [14.27]	.812 [20.62]	1.094 [27.79]	.120 [3.05]	.634 [16.10]
14	7/8-20 UNEF	.110 [2.80]	1.343 [34.10]	.750 [19.05]	.906 [23.01]	1.188 [30.18]	.120 [3.05]	.760 [19.30]
14S	7/8-20 UNEF	.126 [3.20]	.984 [25.00]	.562 [14.27]	.906 [23.01]	1.188 [30.18]	.120 [3.05]	.760 [19.30]
16	1-20 UNEF	.126 [3.20]	1.343 [34.10]	.750 [19.05]	.969 [24.61]	1.281 [32.54]	.120 [3.05]	.882 [22.40]
16S	1-20 UNEF	.126 [3.20]	.984 [25.00]	.562 [14.27]	.969 [24.61]	1.281 [32.54]	.120 [3.05]	.882 [22.40]
18	1 1/8-18 UNEF	.157 [4.00]	1.343 [34.10]	.750 [19.05]	1.062 [26.97]	1.375 [34.92]	.120 [3.05]	1.008 [25.60]
20	1 1/4-18 UNEF	.157 [4.00]	1.343 [34.10]	.750 [19.05]	1.156 [29.36]	1.500 [38.10]	.120 [3.05]	1.142 [29.00]
22	1 3/8-18 UNEF	.157 [4.00]	1.343 [34.10]	.750 [19.05]	1.250 [31.75]	1.625 [41.27]	.120 [3.05]	1.268 [32.20]
24	1 1/2-18 UNEF	.157 [4.00]	1.417 [36.00]	.812 [20.62]	1.375 [34.92]	1.750 [44.45]	.147 [3.73]	1.390 [35.30]
28	1 3/4-18 UNS	.157 [4.00]	1.417 [36.00]	.812 [20.62]	1.562 [39.67]	2.000 [50.80]	.147 [3.73]	1.630 [41.40]
32	2-18 UNS	.157 [4.00]	1.480 [37.60]	.875 [22.22]	1.750 [44.45]	2.250 [57.15]	.173 [4.39]	1.882 [47.80]
36	2 1/4-16 UN	.157 [4.00]	1.480 [37.60]	.875 [22.22]	1.983 [50.37]	2.500 [63.50]	.173 [4.39]	2.130 [54.10]
40	2 1/2-16 UN	.157 [4.00]	1.480 [37.60]	.875 [22.22]	2.188 [55.58]	2.750 [69.85]	.173 [4.39]	2.323 [59.00]

Dimensions in brackets [ ] are in millimeters.

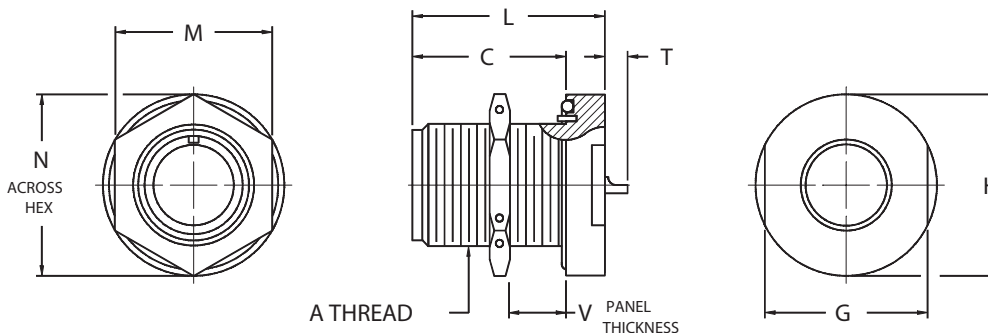
# JAM NUT RECEPTACLE

SCPBFR



**TABLE I. MODIFICATIONS**

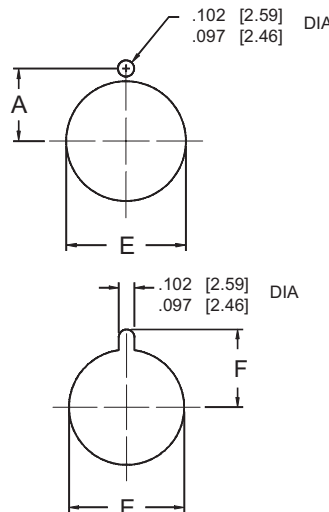
CODE	DESCRIPTION
-1	Basic part number
-3	Basic shell has 4 holes and no positioning pin
-4	Basic shell, no positioning pin and O-ring is Silicone
-5	Same as -1 except positioning pin is longer.
GE	Hex nut is replaced by spline nut.



SHELL SIZE	A COUPLING THREAD CLASS 2A	C MAX.	G MAX.	H MAX.	L MAX.	M MAX.	N MAX.	V MAX.
8S	.500-28 UNEF	.853 [21.67]	.895 [22.73]	1.077 [27.36]	1.087 [27.61]	.697 [17.70]	.820 [20.83]	.250 [6.35]
10S	.625-24 UNEF	.853 [21.67]	1.015 [25.78]	1.203 [30.56]	1.087 [27.61]	.822 [20.88]	.960 [24.38]	.250 [6.35]
10SL	.625-24 UNEF	.853 [21.67]	1.015 [25.78]	1.203 [30.56]	1.087 [27.61]	.822 [20.88]	.960 [24.38]	.250 [6.35]
12S	.750-20 UNEF	.853 [21.67]	1.077 [27.36]	1.327 [33.71]	1.087 [27.61]	.955 [24.26]	1.110 [28.19]	.375 [9.52]
12	.750-20 UNEF	1.244 [31.60]	1.077 [27.36]	1.327 [33.71]	1.525 [38.74]	.947 [24.05]	1.110 [28.19]	.375 [9.52]
14S	.875-20 UNEF	.853 [21.67]	1.203 [30.56]	1.453 [36.91]	1.087 [27.61]	1.072 [27.23]	1.250 [31.75]	.375 [9.52]
14	.875-20 UNEF	1.244 [31.60]	1.203 [30.56]	1.453 [36.91]	1.525 [38.74]	1.072 [27.23]	1.250 [31.75]	.375 [9.52]
16S	1.000-20 UNEF	.853 [21.67]	1.327 [33.71]	1.577 [40.06]	1.087 [27.61]	1.265 [32.13]	1.460 [37.08]	.375 [9.52]
16	1.000-20 UNEF	1.244 [31.60]	1.327 [33.71]	1.577 [40.06]	1.525 [38.74]	1.265 [32.13]	1.460 [37.08]	.375 [9.52]
18	1.125-18 UNEF	1.244 [31.60]	1.453 [36.91]	1.703 [43.26]	1.525 [38.74]	1.395 [35.43]	1.610 [40.89]	.375 [9.52]
20	1.250-18 UNEF	1.244 [31.60]	1.577 [40.06]	1.827 [46.41]	1.525 [38.74]	1.515 [38.48]	1.750 [44.45]	.375 [9.52]
22	1.375-18 UNEF	1.244 [31.60]	1.577 [40.06]	1.953 [49.61]	1.525 [38.74]	1.635 [41.53]	1.900 [48.26]	.375 [9.52]
24	1.500-18 UNEF	1.244 [31.60]	1.827 [46.41]	2.077 [52.76]	1.525 [38.74]	1.765 [44.83]	2.030 [51.56]	.375 [9.52]
28	1.750-18 UNS	1.244 [31.60]	1.953 [49.61]	2.327 [59.11]	1.525 [38.74]	2.015 [51.18]	2.330 [59.18]	.375 [9.52]
32	2.000-18 UNS	1.244 [31.60]	2.203 [55.96]	2.577 [65.46]	1.525 [38.74]	2.205 [56.01]	2.550 [64.77]	.375 [9.52]
36	2.250-16 UN	1.244 [31.60]	2.577 [65.46]	2.827 [71.81]	1.525 [38.74]	2.455 [62.36]	2.840 [72.14]	.312 [7.92]

SHELL SIZE	T MAX. SOLDER POT EXT.				
	#16	#12	#8	#4	#0
8S-16S	.140 [3.56]	-	-	-	-
12 THRU 36	.062 [1.57]	.062 [1.57]	.125 [3.18]	.125 [3.18]	.359 [9.12]

**MOUNTING DIMENSIONS**



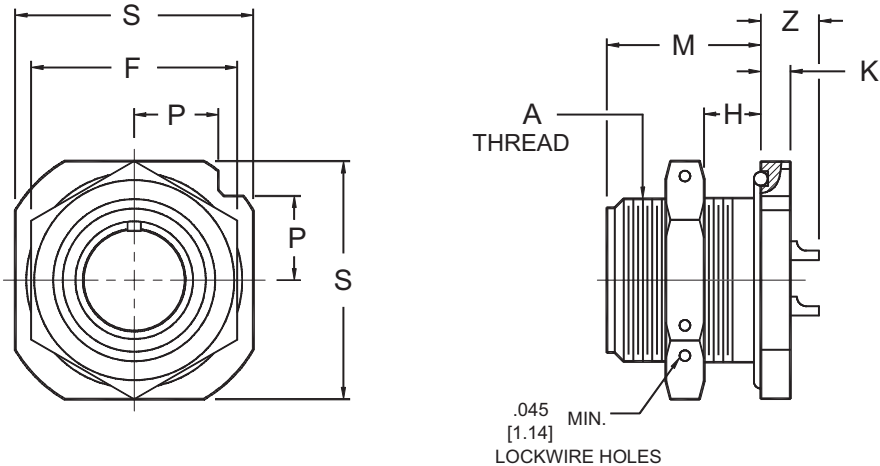
SHELL SIZE	A ±.005 [±0.13]	E +.015 -.000 [+0.38] [-0.00]	F ±.005 [±0.13]
8S	.323 [8.20]	.500 [12.70]	.373 [9.47]
10S,10SL	.385 [9.78]	.625 [15.88]	.435 [11.05]
12S,12	.448 [11.38]	.750 [19.05]	.498 [12.65]
14S,14	.510 [12.95]	.875 [22.23]	.560 [14.22]
16S,16	.573 [14.55]	1.000 [25.40]	.623 [15.82]
18	.635 [16.13]	1.125 [28.58]	.685 [17.40]
20	.698 [17.73]	1.250 [31.75]	.748 [19.00]
22	.760 [19.30]	1.375 [34.93]	.810 [20.57]
24	.823 [20.90]	1.500 [38.10]	.873 [22.17]
28	.948 [24.08]	1.750 [44.45]	.998 [25.35]
32	1.073 [27.25]	2.000 [50.80]	1.123 [28.52]
36	1.198 [30.43]	2.250 [57.15]	1.248 [31.70]

Dimensions in brackets [ ] are in millimeters.

# JAM NUT RECEPTACLE

SCP03Y, Z  
SCP873\*-\*

1A



SCP03Y\* Environmental  
SCP03Z\* Non-environmental  
SCP873\*-\* Environmental

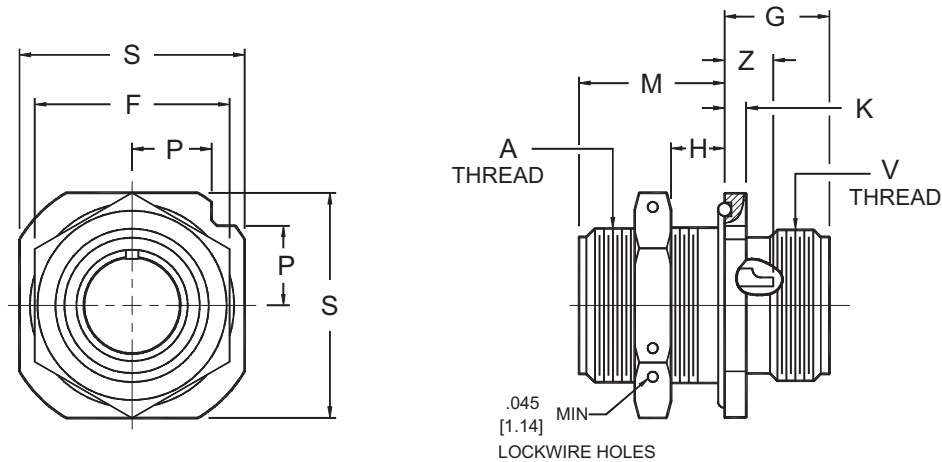
SHELL SIZE	A COUPLING THREAD CLASS 2A	F ±.016 [±0.41]	H PANEL THICKNESS		K ±.005 [±0.13]	M ±.010 [±0.25]	P ±.010 [±0.25]	S ±.010 [±0.25]	Z ±.045 [±1.14]
			MIN.	MAX.					
8S	1/2-28 UNEF	.688 [17.48]	0.00 [0.00]	.204 [5.18]	.156 [3.96]	.812 [20.62]	.309 [7.85]	.875 [22.23]	.281 [7.14]
10S	5/8-24 UNEF	.812 [20.62]	0.00 [0.00]	.204 [5.18]	.156 [3.96]	.812 [20.62]	.354 [8.99]	1.000 [25.40]	.281 [7.14]
10SL	5/8-24 UNEF	.812 [20.62]	0.00 [0.00]	.204 [5.18]	.156 [3.96]	.812 [20.62]	.354 [8.99]	1.000 [25.40]	.281 [7.14]
12S	3/4-20 UNEF	.938 [23.83]	0.00 [0.00]	.204 [5.18]	.156 [3.96]	.812 [20.62]	.397 [10.08]	1.125 [28.58]	.281 [7.14]
12	3/4-20 UNEF	.938 [23.83]	0.00 [0.00]	.329 [8.36]	.156 [3.96]	1.188 [30.18]	.397 [10.08]	1.125 [28.58]	.344 [8.74]
14S	7/8-20 UNEF	1.062 [26.97]	0.00 [0.00]	.142 [3.61]	.156 [3.96]	.812 [20.62]	.442 [11.23]	1.250 [31.75]	.281 [7.14]
14	7/8-20 UNEF	1.062 [26.97]	0.00 [0.00]	.267 [6.78]	.156 [3.96]	1.188 [30.18]	.442 [11.23]	1.250 [31.75]	.344 [8.74]
16S	1-20 UNEF	1.250 [31.75]	0.00 [0.00]	.142 [3.61]	.156 [3.96]	.812 [20.62]	.486 [12.34]	1.375 [34.93]	.281 [7.14]
16	1-20 UNEF	1.250 [31.75]	0.00 [0.00]	.267 [6.78]	.156 [3.96]	1.188 [30.18]	.486 [12.34]	1.375 [34.93]	.344 [8.74]
18	1 1/8-18 UNEF	1.312 [33.32]	0.00 [0.00]	.235 [5.97]	.188 [4.78]	1.156 [29.36]	.575 [14.61]	1.625 [41.28]	.375 <sup>2</sup> [9.52]
20	1 1/4-18 UNEF	1.500 [38.10]	0.00 [0.00]	.235 [5.97]	.188 [4.78]	1.156 [29.36]	.619 [15.72]	1.750 [44.45]	.375 <sup>2</sup> [9.52]
22	1 3/8-18 UNEF	1.562 [39.67]	0.00 [0.00]	.235 [5.97]	.188 [4.78]	1.156 [29.36]	.663 [16.84]	1.875 [47.63]	.375 <sup>2</sup> [9.52]
24	1 1/2-18 UNEF	1.750 [44.45]	0.00 [0.00]	.298 [7.57]	.188 [4.78]	1.219 [30.96]	.707 [17.96]	2.000 [50.80]	.312 <sup>2</sup> [7.92]
28	1 3/4-18 UNS	2.000 [50.80]	0.00 [0.00]	.298 [7.57]	.188 [4.78]	1.219 [30.96]	.795 [20.19]	2.250 [57.15]	.312 <sup>2</sup> [7.92]
32	2-18 UNS	2.188 [55.58]	0.00 [0.00]	.329 [8.36]	.219 [5.56]	1.250 [31.75]	.884 [22.45]	2.500 [63.50]	.281 <sup>2</sup> [7.14]
36	2 1/4-16 UN	2.438 [61.93]	0.00 [0.00]	.298 [7.57]	.219 [5.56]	1.250 [31.75]	.972 [24.69]	2.750 [69.85]	.281 <sup>2</sup> [7.14]
40	2 1/2-16 UN	2.812 [71.42]	0.00 [0.00]	.298 [7.57]	.219 [5.56]	1.250 [31.75]	1.060 [26.92]	3.000 [76.20]	.281 <sup>2</sup> [7.14]

Dimensions in brackets [ ] are in millimeters.

# JAM NUT RECEPTACLE

SCP04U

SCP874\*-\*



**SCP04U\*** With rear accessory, threads, environmental, less grommet  
**SCP874\*-\*** With rear accessory, threads, environmental, less grommet

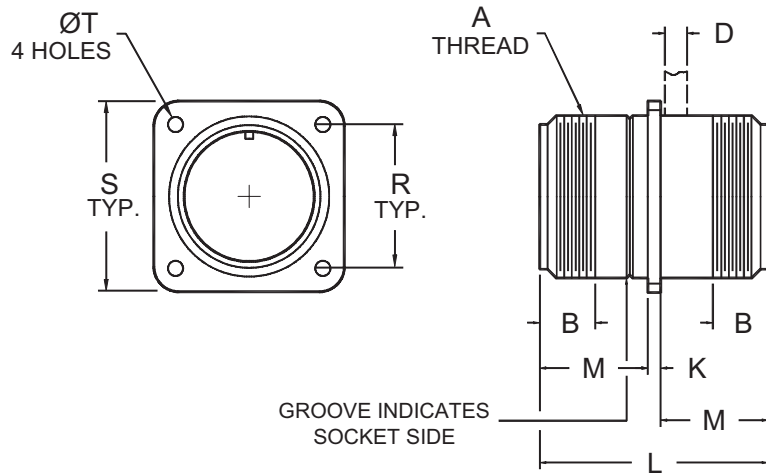
SHELL SIZE	A COUPLING THREAD CLASS 2A	F ±.016 [±0.41]	G ±.015 [±0.38]	H PANEL THICKNESS		K ±.005 [±0.13]	M ±.010 [±0.25]	P ±.010 [±0.25]	S ±.010 [±0.25]	V THREAD CLASS 2A	Z ±.045 [±1.14]
				MIN.	MAX.						
10S	5/8-24 UNEF	.812 [20.62]	.525 [13.34]	0.00 [0.00]	.197 [5.00]	.125 [3.18]	.806 [20.47]	.354 [8.99]	1.000 [25.40]	1/2-28 UNEF	.288 [7.32]
10SL	5/8-24 UNEF	.812 [20.62]	.525 [13.34]	0.00 [0.00]	.197 [5.00]	.125 [3.18]	.806 [20.47]	.354 [8.99]	1.000 [25.40]	5/8-24 UNEF	.288 [7.32]
12S	3/4-20 UNEF	.938 [23.83]	.525 [13.34]	0.00 [0.00]	.197 [5.00]	.125 [3.18]	.806 [20.47]	.397 [10.08]	1.125 [28.58]	5/8-24 UNEF	.288 [7.32]
12	3/4-20 UNEF	.938 [23.83]	.713 [18.11]	0.00 [0.00]	.197 [5.00]	.125 [3.18]	1.055 [26.80]	.397 [10.08]	1.125 [28.58]	5/8-24 UNEF	.477 [12.12]
14S	7/8-20 UNEF	1.062 [26.97]	.525 [13.34]	0.00 [0.00]	.199 [5.05]	.125 [3.18]	.869 [22.07]	.442 [11.23]	1.250 [31.75]	3/4-20 UNEF	.225 [5.72]
14	7/8-20 UNEF	1.062 [26.97]	.713 [18.11]	0.00 [0.00]	.134 [3.40]	.125 [3.18]	1.055 [26.80]	.442 [11.23]	1.250 [31.75]	3/4-20 UNEF	.477 [12.12]
16S	1-20 UNEF	1.250 [31.75]	.525 [13.34]	0.00 [0.00]	.199 [5.05]	.125 [3.18]	.869 [22.07]	.486 [12.34]	1.375 [34.93]	7/8-20 UNEF	.225 [5.72]
16	1-20 UNEF	1.250 [31.75]	.713 [18.11]	0.00 [0.00]	.134 [3.40]	.125 [3.18]	1.055 [26.80]	.486 [12.34]	1.375 [34.93]	7/8-20 UNEF	.477 [12.12]
18	1 1/8-18 UNEF	1.312 [33.32]	.729 [18.52]	0.00 [0.00]	.134 [3.40]	.156 [3.96]	1.055 [26.80]	.575 [14.61]	1.625 [41.28]	1-20 UNEF	.477 [12.12]
20	1 1/4-18 UNEF	1.500 [38.10]	.729 [18.52]	0.00 [0.00]	.134 [3.40]	.156 [3.96]	1.055 [26.80]	.619 [15.72]	1.750 [44.45]	1 1/8-18 UNEF	.477 [12.12]
22	1 3/8-18 UNEF	1.562 [39.67]	.729 [18.52]	0.00 [0.00]	.134 [3.40]	.156 [3.96]	1.055 [26.80]	.663 [16.84]	1.875 [47.63]	1 1/4-18 UNEF	.477 [12.12]
24	1.1/2-18 UNEF	1.750 [44.45]	.745 [18.92]	0.00 [0.00]	.167 [4.24]	.172 [4.37]	1.088 [27.64]	.707 [17.96]	2.000 [50.80]	1 3/8-18 UNEF	.443 [11.25]
28	1 3/4-18 UNS	2.000 [50.80]	.745 [18.92]	0.00 [0.00]	.167 [4.24]	.172 [4.37]	1.088 [27.64]	.795 [20.19]	2.250 [57.15]	1 5/8-18 UNEF	.443 [11.25]
32	2-18 UNS	2.188 [55.58]	.761 [19.33]	0.00 [0.00]	.135 [3.43]	.188 [4.78]	1.056 [26.82]	.884 [22.45]	2.500 [63.50]	1 7/8-16 UNEF	.477 [12.12]
36	2 1/4-16 UN	2.438 [61.93]	.761 [19.33]	0.00 [0.00]	.166 [4.22]	.188 [4.78]	1.118 [28.40]	.972 [24.69]	2.750 [69.85]	2 1/16-16 UN	.414 [10.52]
40	2 1/2-16 UN	2.812 [71.42]	.761 [19.33]	0.00 [0.00]	.166 [4.22]	.188 [4.78]	1.118 [28.40]	1.060 [26.92]	3.000 [76.20]	2 5/16-16 UN	.414 [10.52]

Dimensions in brackets [ ] are in millimeters.

# THRU-BULKHEAD RECEPTACLE

TBF

1A



## TBF\* Environmental

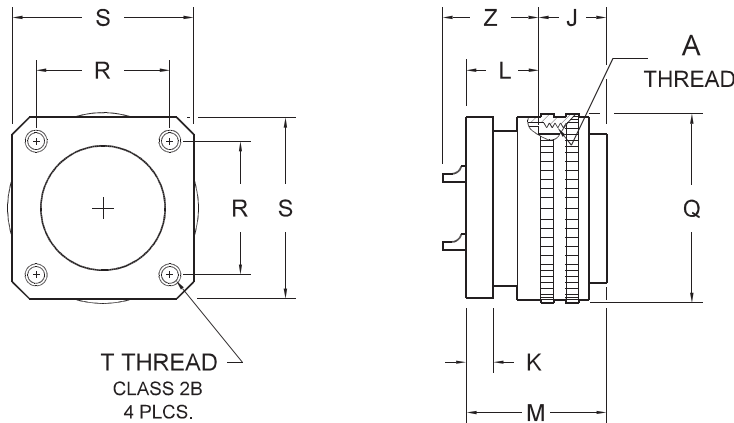
SHELL SIZE	A COUPLING THREAD CLASS 2A	B MIN. FULL THD.	D MAX. PANEL THICKNESS	K REF.	L ±.015 [±0.38]	M +.000 -.010 [+0.00] [-0.25]	R ±.005 [±0.13]	S ±.020 [±0.51]	T +.004 -.002 [+0.10] [-0.05]
8S	.500-28 UNEF	.406 [10.31]	.266 [6.76]	.141 [3.58]	1.563 [39.70]	.711 [18.06]	.594 [15.09]	.875 [22.22]	.120 [3.05]
10S	.625-24 UNEF	.406 [10.31]	.266 [6.76]	.141 [3.58]	1.563 [39.70]	.711 [18.06]	.719 [18.26]	1.000 [25.40]	.120 [3.05]
10SL	.625-24 UNEF	.406 [10.31]	.266 [6.76]	.141 [3.58]	1.563 [39.70]	.711 [18.06]	.719 [18.26]	1.000 [25.40]	.120 [3.05]
12S	.750-20 UNEF	.406 [10.31]	.266 [6.76]	.141 [3.58]	1.563 [39.70]	.711 [18.06]	.812 [20.62]	1.094 [27.79]	.120 [3.05]
12	.750-20 UNEF	.625 [15.88]	.312 [7.92]	.155 [3.94]	2.125 [53.98]	.985 [25.02]	.812 [20.62]	1.094 [27.79]	.120 [3.05]
14S	.875-20 UNEF	.406 [10.31]	.266 [6.76]	.141 [3.58]	1.563 [39.70]	.711 [18.06]	.906 [23.01]	1.188 [30.18]	.120 [3.05]
14	.875-20 UNEF	.625 [15.88]	.312 [7.92]	.155 [3.94]	2.125 [53.98]	.985 [25.02]	.906 [23.01]	1.188 [30.18]	.120 [3.05]
16S	1.000-20 UNEF	.406 [10.31]	.266 [6.76]	.141 [3.58]	1.563 [39.70]	.711 [18.06]	.969 [24.61]	1.281 [32.54]	.120 [3.05]
16	1.000-20 UNEF	.625 [15.88]	.312 [7.92]	.155 [3.94]	2.125 [53.98]	.985 [25.02]	.969 [24.61]	1.281 [32.54]	.120 [3.05]
18	1.125-18 UNEF	.625 [15.88]	.312 [7.92]	.155 [3.94]	2.125 [53.98]	.985 [25.02]	1.062 [26.97]	1.375 [34.92]	.120 [3.05]
20	1.250-18 UNEF	.625 [15.88]	.312 [7.92]	.155 [3.94]	2.125 [53.98]	.985 [25.02]	1.156 [29.36]	1.500 [38.10]	.120 [3.05]
22	1.375-18 UNEF	.625 [15.88]	.312 [7.92]	.155 [3.94]	2.125 [53.98]	.985 [25.02]	1.250 [31.75]	1.625 [41.27]	.120 [3.05]
24	1.500-18 UNEF	.625 [15.88]	.312 [7.92]	.155 [3.94]	2.125 [53.98]	.985 [25.02]	1.375 [34.92]	1.750 [44.45]	.147 [3.73]
28	1.750-18 UNS	.625 [15.88]	.312 [7.92]	.155 [3.94]	2.125 [53.98]	.985 [25.02]	1.562 [39.67]	2.000 [50.80]	.147 [3.73]
32	2.000-18 UNS	.625 [15.88]	.312 [7.92]	.155 [3.94]	2.125 [53.98]	.985 [25.02]	1.750 [44.45]	2.250 [57.15]	.173 [4.39]
36	2.250-16 UN	.625 [15.88]	.312 [7.92]	.155 [3.94]	2.125 [53.98]	.985 [25.02]	1.983 [50.37]	2.500 [63.50]	.173 [4.39]
40	2.500-16 UN	.625 [15.88]	.312 [7.92]	.155 [3.94]	2.125 [53.98]	.985 [25.02]	2.188 [55.58]	2.750 [69.85]	.173 [4.39]

Dimensions in brackets [ ] are in millimeters.

# PANEL MOUNT PLUG

SCP05Z AMPHENOL 97-5105 "R1" DIMENSION

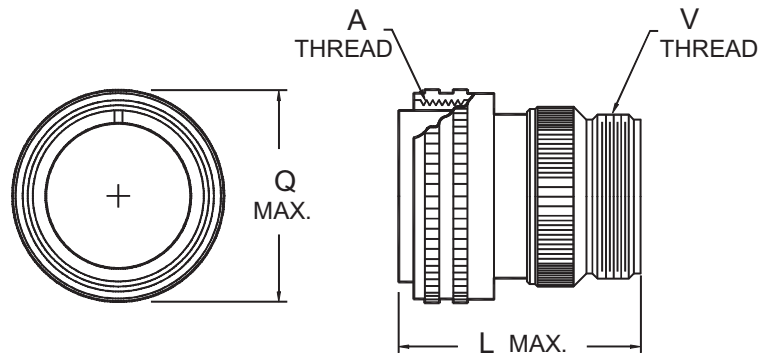
SCP06PPFP VEAM VS2600 "R2" DIMENSION



## SCP05Z\* Non-environmental SCP06PPFP\* Non-environmental

SHELL SIZE	A COUPLING THREAD CLASS 2B	J ±.005 [±0.13]	K ±.005 [±0.13]	L ±.020 [±0.51]	M REF.	Q DIA. MAX	R1 ±.005 [±0.13]	R2 ±.005 [±0.13]	S ±.020 [±0.51]	T THREAD CLASS 2B [+0.10] [-0.05]	Z ±.045 [±1.14]
8S	1/2-28 UNEF	.531 [13.49]	.125 [3.18]	.463 [11.76]	.994 [25.24]	.732 [18.59]	.562 [14.27]	.594 [15.09]	.781 [19.84]	4-40NC	.562 [14.27]
10S	5/8-24 UNEF	.531 [13.49]	.125 [3.18]	.463 [11.76]	.994 [25.24]	.844 [21.44]	.562 [14.27]	.719 [18.26]	.781 [19.84]	4-40NC	.562 [14.27]
10SL	5/8-24 UNEF	.531 [13.49]	.126 [3.20]	.463 [11.76]	.994 [25.24]	.946 [24.03]	.562 [14.27]	.719 [18.26]	.781 [19.84]	4-40NC	.562 [14.27]
12	3/4-20 UNEF	.719 [18.26]	.156 [3.96]	.650 [16.51]	1.369 [34.77]	.987 [25.07]	.812 [20.62]	.812 [20.62]	1.062 [26.97]	4-40NC	.812 [20.62]
12S	3/4-20 UNEF	.531 [13.49]	.156 [3.96]	.463 [11.76]	.994 [25.24]	.987 [25.07]	.812 [20.62]	.812 [20.62]	1.062 [26.97]	4-40NC	.562 [14.27]
14	7/8-20 UNEF	.719 [18.26]	.156 [3.96]	.650 [16.51]	1.369 [34.77]	1.114 [28.30]	.812 [20.62]	.906 [23.01]	1.062 [26.97]	4-40NC	.812 [20.62]
14S	7/8-20 UNEF	.531 [13.49]	.156 [3.96]	.463 [11.76]	.994 [25.24]	1.114 [28.30]	.812 [20.62]	.906 [23.01]	1.062 [26.97]	4-40NC	.562 [14.27]
16	1-20 UNEF	.719 [18.26]	.156 [3.96]	.650 [16.51]	1.369 [34.77]	1.226 [31.14]	1.000 [25.40]	.969 [24.61]	1.312 [33.32]	6-32NC	.812 [20.62]
16S	1-20 UNEF	.531 [13.49]	.156 [3.96]	.463 [11.76]	.994 [25.24]	1.226 [31.14]	1.000 [25.40]	.969 [24.61]	1.312 [33.32]	6-32NC	.562 [14.27]
18	1 1/8-18 UNEF	.719 [18.26]	.156 [3.96]	.650 [16.51]	1.369 [34.77]	1.353 [34.37]	1.000 [25.40]	1.062 [26.97]	1.312 [33.32]	6-32NC	.812 [20.62]
20	1 1/4-18 UNEF	.719 [18.26]	.188 [4.78]	.650 [16.51]	1.369 [34.77]	1.483 [37.67]	1.250 [31.75]	1.156 [29.36]	1.625 [41.28]	10-32NF	.812 [20.62]
22	1 3/8-18 UNEF	.719 [18.26]	.188 [4.78]	.650 [16.51]	1.369 [34.77]	1.608 [40.84]	1.250 [31.75]	1.250 [31.75]	1.625 [41.28]	10-32NF	.812 [20.62]
24	1 1/2-18 UNEF	.719 [18.26]	.188 [4.78]	.712 [18.08]	1.431 [36.34]	1.735 [44.07]	1.562 [39.67]	1.375 [34.92]	2.000 [50.80]	10-32NF	.812 [20.62]
28	1 3/4-18 UNS	.719 [18.26]	.188 [4.78]	.712 [18.08]	1.431 [36.34]	1.971 [50.06]	1.562 [39.67]	1.562 [39.67]	2.000 [50.80]	10-32NF	.812 [20.62]
32	2-18 UNS	.719 [18.26]	.250 [6.35]	.775 [19.68]	1.494 [37.94]	2.228 [56.59]	1.812 [46.02]	1.750 [44.45]	2.500 [63.50]	10-32NF	.812 [20.62]
36	2 1/4-16 UN	.719 [18.26]	.250 [6.35]	.775 [19.68]	1.494 [37.94]	2.483 [63.07]	1.812 [46.02]	1.937 [49.20]	2.500 [63.50]	10-32NF	.812 [20.62]
40	2 1/2-16 UN	.719 [18.26]	.250 [6.35]	.775 [19.68]	1.494 [37.94]	2.737 [69.52]	2.250 [57.15]	2.188 [55.58]	3.031 [76.99]	10-32NF	.812 [20.62]

Dimensions in brackets [ ] are in millimeters.



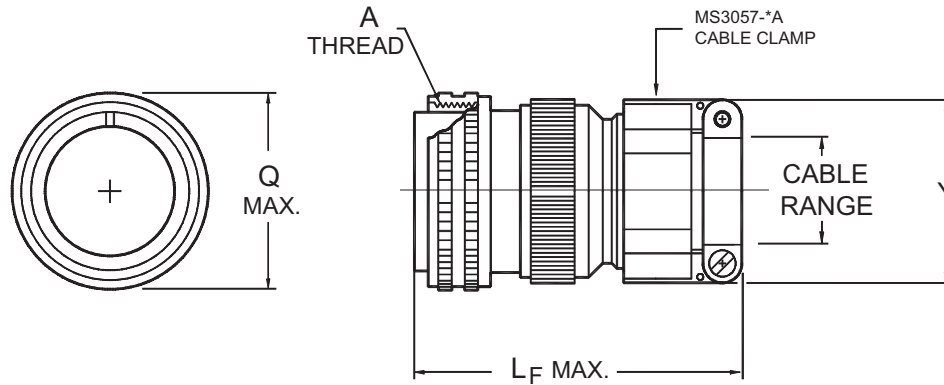
- SCP06A\*** Threaded adapter, non-environmental, less grommet
- SCPG06A\*** Same as above, with grounding spring
- SCP06B\*** Threaded adapter, environmental, with grommet
- SCPG06B\*** Same as above, with grounding spring
- SCP06C\*** Threaded adapter, environmental, less grommet
- SCPG06C\*** Same as above, with grounding spring

SHELL SIZE	A COUPLING THREAD CLASS 2B	L MAX.	Q MAX.	V ACCESSORY THREAD CLASS 2A
8S	1/2-28 UNEF	1.469 [37.31]	.844 [21.44]	1/2-28 UNEF
10S	5/8-24 UNEF	1.531 [38.89]	.969 [24.61]	1/2-28 UNEF
10SL	5/8-24 UNEF	1.531 [38.89]	.969 [24.61]	5/8-24 UNEF
12	3/4-20 UNEF	2.062 [52.37]	1.062 [26.97]	5/8-24 UNEF
12S	3/4-20 UNEF	1.688 [42.88]	1.062 [26.97]	5/8-24 UNEF
14	7/8-20 UNEF	2.062 [52.37]	1.156 [29.36]	3/4-20 UNEF
14S	7/8-20 UNEF	1.688 [42.88]	1.156 [29.36]	3/4-20 UNEF
16	1-20 UNEF	2.062 [52.37]	1.250 [31.75]	7/8-20 UNEF
16S	1-20 UNEF	1.688 [42.88]	1.250 [31.75]	7/8-20 UNEF
18	1 1/8-18 UNEF	2.062 [52.37]	1.344 [34.14]	1-20 UNEF
20	1 1/4-18 UNEF	2.188 [55.58]	1.469 [37.31]	1 3/16-18 UNEF
22	1 3/8-18 UNEF	2.188 [55.58]	1.594 [40.49]	1 3/16-18 UNEF
24	1 1/2-18 UNEF	2.312 [58.72]	1.719 [43.66]	1 7/16-18 UNEF
28	1 3/4-18 UNS	2.312 [58.72]	1.969 [50.01]	1 7/16-18 UNEF
32	2-18 UNS	2.438 [61.93]	2.219 [56.36]	1 3/4-18 UNS
36	2 1/4-16 UN	2.438 [61.93]	2.469 [62.71]	2-18 UNS
40	2 1/2-16 UN	2.438 [61.93]	2.719 [69.06]	2 1/4-16 UN
44	2 3/4-16 UN	2.562 [65.07]	3.000 [76.20]	2 1/2-16 UN
48	3-16 UN	2.562 [65.07]	3.250 [82.55]	3-16 UN

Dimensions in brackets [ ] are in millimeters.

# STRAIGHT PLUG

SCP06D, F  
SCPG06D, F



- SCP06D\*** Two (2) piece backshell w/ MS3057\*A clamp, environmental, less grommet
- SCPG06D\*** Same as above, with grounding spring
- SCP06F\*** Two (2) piece backshell w/ MS3057\*A clamp, environmental, with grommet<sup>⊙</sup>
- SCPG06F\*** Same as above, with grounding spring<sup>⊙</sup>

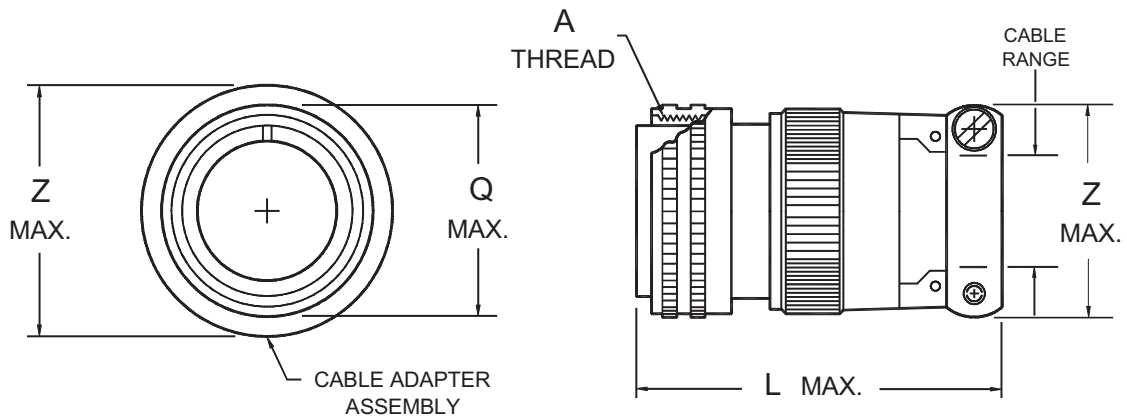
SHELL SIZE	A COUPLING THREAD CLASS 2B	L <sub>F</sub> MAX.	Q MAX.	Y ±.020 [±0.51]	CABLE RANGE	
					OPEN	CLOSED
8S	1/2-28 UNEF	2.225 [56.52]	.844 [21.44]	.825 [20.96]	.250 [6.35]	.125 [3.18]
10S	5/8-24 UNEF	2.300 [58.42]	.969 [24.61]	.825 [20.96]	.250 [6.35]	.125 [3.18]
10SL	5/8-24 UNEF	2.300 [58.42]	.969 [24.61]	.938 [23.83]	.312 [7.92]	.125 [3.18]
12	3/4-20 UNEF	2.900 [73.66]	1.062 [26.97]	.938 [23.83]	.312 [7.92]	.125 [3.18]
12S	3/4-20 UNEF	2.500 [63.50]	1.062 [26.97]	.938 [23.83]	.312 [7.92]	.125 [3.18]
14	7/8-20 UNEF	2.900 [73.66]	1.156 [29.36]	1.125 [28.58]	.438 [11.13]	.250 [6.35]
14S	7/8-20 UNEF	2.500 [63.50]	1.156 [29.36]	1.125 [28.58]	.438 [11.13]	.250 [6.35]
16	1-20 UNEF	2.900 [73.66]	1.250 [31.75]	1.312 [33.32]	.562 [14.27]	.312 [7.92]
16S	1-20 UNEF	2.500 [63.50]	1.250 [31.75]	1.312 [33.32]	.562 [14.27]	.312 [7.92]
18	1 1/8-18 UNEF	2.900 [73.66]	1.344 [34.14]	1.312 [33.32]	.625 [15.88]	.350 [8.89]
20	1 1/4-18 UNEF	3.000 [76.20]	1.469 [37.31]	1.531 [38.89]	.750 [19.05]	.500 [12.70]
22	1 3/8-18 UNEF	3.000 [76.20]	1.594 [40.49]	1.531 [38.89]	.750 [19.05]	.500 [12.70]
24	1 1/2-18 UNEF	3.250 [82.55]	1.719 [43.66]	1.750 [44.45]	.938 [23.83]	.625 [15.88]
28	1 3/4-18 UNS	3.250 [82.55]	1.969 [50.01]	1.750 [44.45]	.938 [23.83]	.625 [15.88]
32	2-18 UNS	3.600 [91.44]	2.219 [56.36]	2.093 [53.16]	1.250 [31.75]	.875 [22.23]
36	2 1/4-16 UN	3.600 [91.44]	2.469 [62.71]	2.343 [59.51]	1.375 [34.93]	1.000 [25.40]
40	2 1/2-16 UN	3.900 [99.06]	2.719 [69.06]	2.750 [69.85]	1.625 [41.28]	1.250 [31.75]
44	2 3/4-16 UN	4.000 [101.60]	3.000 [76.20]	3.000 [76.20]	1.875 [47.63]	1.437 [36.50]
48	3-16 UN	4.225 [107.32]	3.250 [82.55]	3.530 [89.66]	2.375 [60.33]	1.650 [41.91]

Dimensions in brackets [ ] are in millimeters.  
⊙ Plug has "O" ring under coupling nut.

# STRAIGHT PLUG

SCP06E, G  
SCPG06E, G

1A



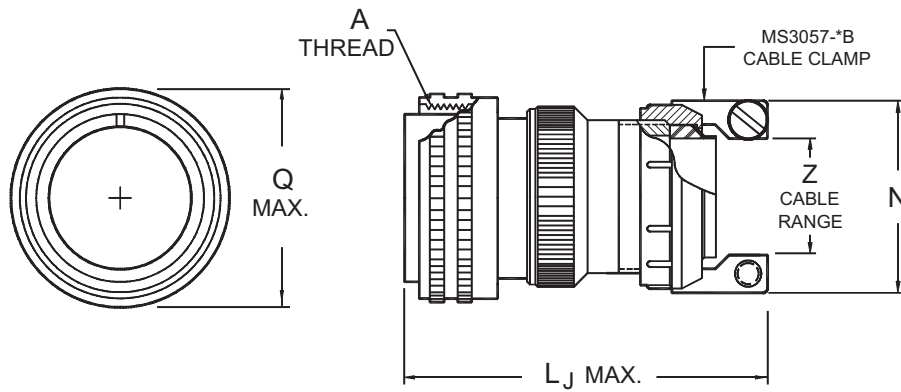
- SCP06E\* One (1) piece backshell, environmental, with grommet
- SCPG06E\* Same as above, with grounding spring
- SCP06G\* One (1) piece backshell, environmental, with grommet<sup>®</sup>
- SCPG06G\* Same as above, with grounding spring<sup>®</sup>

SHELL SIZE	A COUPLING THREAD CLASS 2B	L MAX.	Q MAX.	Z MAX.	CABLE RANGE	
					OPEN	CLOSED
8S	1/2-28 UNEF	2.250 [57.15]	.844 [21.44]	1.046 [26.57]	.250 [6.35]	.125 [3.18]
10S	5/8-24 UNEF	2.250 [57.15]	.969 [24.61]	1.046 [26.57]	.250 [6.35]	.125 [3.18]
10SL	5/8-24 UNEF	2.250 [57.15]	.969 [24.61]	1.125 [28.57]	.312 [7.92]	.125 [3.18]
12	3/4-20 UNEF	2.625 [66.67]	1.062 [26.97]	1.125 [28.57]	.312 [7.92]	.125 [3.18]
12S	3/4-20 UNEF	2.250 [57.15]	1.062 [26.97]	1.125 [28.57]	.312 [7.92]	.125 [3.18]
14	7/8-20 UNEF	2.625 [66.67]	1.156 [29.36]	1.343 [34.11]	.438 [11.13]	.250 [6.35]
14S	7/8-20 UNEF	2.250 [57.15]	1.156 [29.36]	1.343 [34.11]	.438 [11.13]	.250 [6.35]
16	1-20 UNEF	2.625 [66.67]	1.250 [31.75]	1.484 [37.69]	.562 [14.27]	.312 [7.92]
16S	1-20 UNEF	2.250 [57.15]	1.250 [31.75]	1.484 [37.69]	.562 [14.27]	.312 [7.92]
18	1 1/8-18 UNEF	2.688 [68.28]	1.344 [34.14]	1.609 [40.87]	.625 [15.88]	.350 [8.89]
20	1 1/4-18 UNEF	2.750 [69.85]	1.469 [37.31]	1.890 [48.01]	.750 [19.05]	.500 [12.70]
22	1 3/8-18 UNEF	2.750 [69.85]	1.594 [40.49]	1.890 [48.01]	.750 [19.05]	.500 [12.70]
24	1 1/2-18 UNEF	2.969 [75.41]	1.719 [43.66]	2.170 [55.12]	.938 [23.83]	.625 [15.88]
28	1 3/4-18 UNS	3.031 [76.99]	1.969 [50.01]	2.170 [55.12]	.938 [23.83]	.625 [15.88]
32	2-18 UNS	3.031 [76.99]	2.219 [56.36]	2.656 [67.46]	1.250 [31.75]	.875 [22.23]
36	2 1/4-16 UN	3.281 [83.34]	2.469 [62.71]	2.922 [74.22]	1.375 [34.93]	1.000 [25.40]
40	2 1/2-16 UN	3.500 [88.90]	2.719 [69.06]	3.520 [89.41]	1.625 [41.28]	1.250 [31.75]

Dimensions in brackets [ ] are in millimeters.  
 Ⓞ Plug has "O" ring under coupling nut.

# STRAIGHT PLUG

SCP06J  
SCPG06J



**SCP06J\*** Two (2) piece backshell w/ MS3057\*B clamp, environmental, less grommet  
**SCPG06J\*** Same as above, with grounding spring

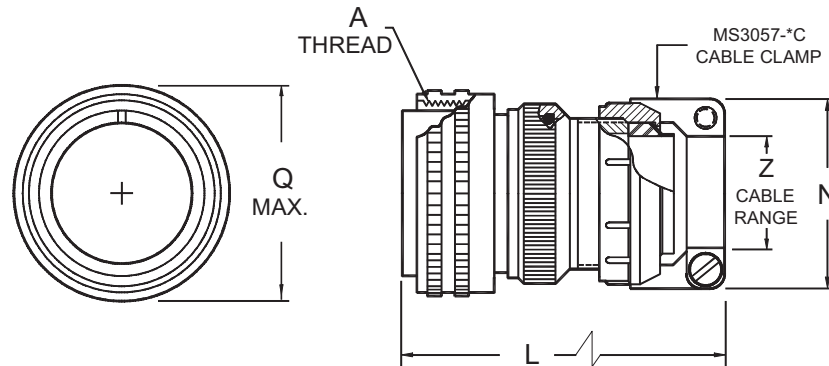
SHELL SIZE	A COUPLING THREAD CLASS 2B	L <sub>J</sub> MAX.	N MAX.	Q MAX.	CABLE CLAMP	Z CABLE RANGE	
						FREE	CLOSED
8S	1/2-28 UNEF	2.225 [56.52]	.812 [20.62]	.844 [21.44]	MS3057-3B	.219 [5.56]	.031 [0.79]
10S	5/8-24 UNEF	2.300 [58.42]	.812 [20.62]	.969 [24.61]	MS3057-3B	.219 [5.56]	.031 [0.79]
10SL	5/8-24 UNEF	2.300 [58.42]	.937 [23.80]	.969 [24.61]	MS3057-4B	.312 [7.92]	.094 [2.39]
12	3/4-20 UNEF	2.900 [73.66]	.937 [23.80]	1.062 [26.97]	MS3057-4B	.312 [7.92]	.094 [2.39]
12S	3/4-20 UNEF	2.500 [63.50]	.937 [23.80]	1.062 [26.97]	MS3057-4B	.312 [7.92]	.094 [2.39]
14	7/8-20 UNEF	2.900 [73.66]	1.062 [26.97]	1.156 [29.36]	MS3057-6B	.438 [11.13]	.250 [6.35]
14S	7/8-20 UNEF	2.500 [63.50]	1.062 [26.97]	1.156 [29.36]	MS3057-6B	.438 [11.13]	.250 [6.35]
16	1-20 UNEF	2.900 [73.66]	1.188 [30.18]	1.250 [31.75]	MS3057-8B	.531 [13.49]	.312 [7.92]
16S	1-20 UNEF	2.500 [63.50]	1.188 [30.18]	1.250 [31.75]	MS3057-8B	.531 [13.49]	.312 [7.92]
18	1 1/8-18 UNEF	2.900 [73.66]	1.312 [33.32]	1.344 [34.14]	MS3057-10B	.625 [15.88]	.375 [9.52]
20	1 1/4-18 UNEF	3.000 [76.20]	1.562 [39.67]	1.469 [37.31]	MS3057-12B	.750 [19.05]	.500 [12.70]
22	1 3/8-18 UNEF	3.000 [76.20]	1.562 [39.67]	1.594 [40.49]	MS3057-12B	.750 [19.05]	.500 [12.70]
24	1 1/2-18 UNEF	3.250 [82.55]	1.750 [44.45]	1.719 [43.66]	MS3057-16B	.938 [23.83]	.594 [15.09]
28	1 3/4-18 UNS	3.250 [82.55]	1.750 [44.45]	1.969 [50.01]	MS3057-16B	.938 [23.83]	.594 [15.09]
32	2-18 UNS	3.600 [91.44]	2.250 [57.15]	2.219 [56.36]	MS3057-20B	1.250 [31.75]	.938 [23.83]
36	2 1/4-16 UN	3.600 [91.44]	2.375 [60.33]	2.469 [62.71]	MS3057-24B	1.375 [34.93]	.969 [24.61]
40	2 1/2-16 UN	3.900 [99.06]	2.625 [66.68]	2.719 [69.06]	MS3057-28B	1.625 [41.28]	1.188 [30.18]
44	2 3/4-16 UN	4.000 [101.60]	2.812 [71.42]	3.000 [76.20]	MS3057-32B	1.875 [47.63]	1.375 [34.93]
48	3-16 UN	4.225 [107.32]	3.312 [84.12]	3.250 [82.55]	MS3057-40B	2.375 [60.33]	1.875 [47.63]

Dimensions in brackets [ ] are in millimeters.

# STRAIGHT PLUG

SCP06K, LCF, LCFZ  
SCPG06K, LCF, LCFZ

1A



- SCP06K\* Two (2) piece backshell w/ MS3057\*C clamp, environmental, less grommet
- SCPG06K\* Same as above, with grounding spring
- SCP06 LCF\* Extended length backshell, environmental, less grommet
- SCPG06 LCF\* Same as above, with grounding spring
- SCP06 LCFZ\* Extended length backshell, environmental, with grommet
- SCPG06 LCFZ\* Same as above, with grounding spring

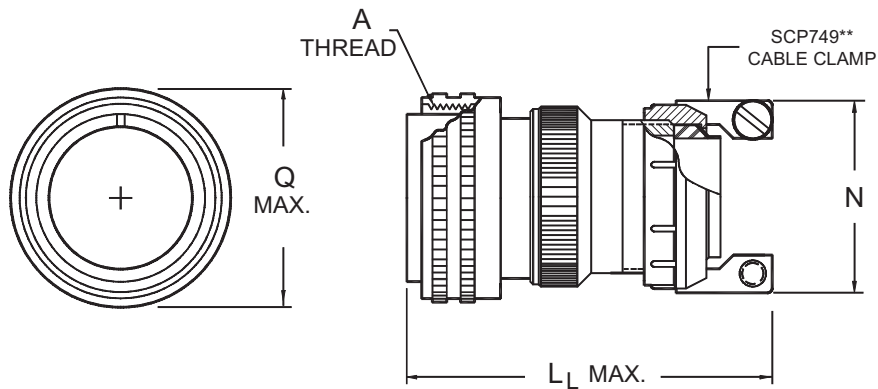
SHELL SIZE	A COUPLING THREAD CLASS 2B	L MAX.		N MAX.	Q MAX.	CABLE CLAMP	Z CABLE RANGE	
		K SERIES	LCF SERIES				FREE	CLOSED
8S	1/2-28 UNEF	2.225 [56.52]	4.00 [101.6]	.812 [20.62]	.844 [21.44]	MS3057-3C	.219 [5.56]	.031 [0.79]
10S	5/8-24 UNEF	2.300 [58.42]	4.00 [101.6]	.812 [20.62]	.969 [24.61]	MS3057-3C	.219 [5.56]	.031 [0.79]
10SL	5/8-24 UNEF	2.300 [58.42]	4.00 [101.6]	.937 [23.80]	.969 [24.61]	MS3057-4C	.312 [7.92]	.094 [2.39]
12	3/4-20 UNEF	2.900 [73.66]	4.50 [114.0]	.937 [23.80]	1.062 [26.97]	MS3057-4C	.312 [7.92]	.094 [2.39]
12S	3/4-20 UNEF	2.500 [63.50]	4.00 [101.6]	.937 [23.80]	1.062 [26.97]	MS3057-4C	.312 [7.92]	.094 [2.39]
14	7/8-20 UNEF	2.900 [73.66]	4.50 [114.0]	1.062 [26.97]	1.156 [29.36]	MS3057-6C	.438 [11.13]	.250 [6.35]
14S	7/8-20 UNEF	2.500 [63.50]	4.00 [101.6]	1.062 [26.97]	1.156 [29.36]	MS3057-6C	.438 [11.13]	.250 [6.35]
16	1-20 UNEF	2.900 [73.66]	4.50 [114.0]	1.188 [30.18]	1.250 [31.75]	MS3057-8C	.531 [13.49]	.312 [7.92]
16S	1-20 UNEF	2.500 [63.50]	4.00 [101.6]	1.188 [30.18]	1.250 [31.75]	MS3057-8C	.531 [13.49]	.312 [7.92]
18	1 1/8-18 UNEF	2.900 [73.66]	4.69 [119.0]	1.312 [33.32]	1.344 [34.14]	MS3057-10C	.625 [15.88]	.375 [9.52]
20	1 1/4-18 UNEF	3.000 [76.20]	4.69 [119.0]	1.562 [39.67]	1.469 [37.31]	MS3057-12C	.750 [19.05]	.500 [12.70]
22	1 3/8-18 UNEF	3.000 [76.20]	4.69 [119.0]	1.562 [39.67]	1.594 [40.49]	MS3057-12C	.750 [19.05]	.500 [12.70]
24	1 1/2-18 UNEF	3.250 [82.55]	4.90 [124.2]	1.750 [44.45]	1.719 [43.66]	MS3057-16C	.938 [23.83]	.594 [15.09]
28	1 3/4-18 UNS	3.250 [82.55]	5.13 [130.0]	1.750 [44.45]	1.969 [50.01]	MS3057-16C	.938 [23.83]	.594 [15.09]
32	2-18 UNS	3.600 [91.44]	5.39 [137.0]	2.250 [57.15]	2.219 [56.36]	MS3057-20C	1.250 [31.75]	.938 [23.83]
36	2 1/4-16 UN	3.600 [91.44]	5.67 [144.0]	2.375 [60.33]	2.469 [62.71]	MS3057-24C	1.375 [34.93]	.969 [24.61]
40	2 1/2-16 UN	3.900 [99.06]	5.67 [144.0]	2.625 [66.68]	2.719 [69.06]	MS3057-28C	1.625 [41.28]	1.188 [30.18]
44	2 3/4-16 UN	4.000 [101.60]	*	2.812 [71.42]	3.000 [76.20]	MS3057-32C	1.875 [47.63]	1.375 [34.93]
48	3-16 UN	4.225 [107.32]	*	3.312 [84.12]	3.250 [82.55]	MS3057-40C	2.375 [60.33]	1.875 [47.63]

Dimensions in brackets [ ] are in millimeters.

# STRAIGHT PLUG

SCP06L

SCPG06L



**SCP06L\*** Two (2) piece backshell w/ SCP749\*\* clamp, environmental, with grommet  
**SCPG06L\*** Same as above, with grounding spring

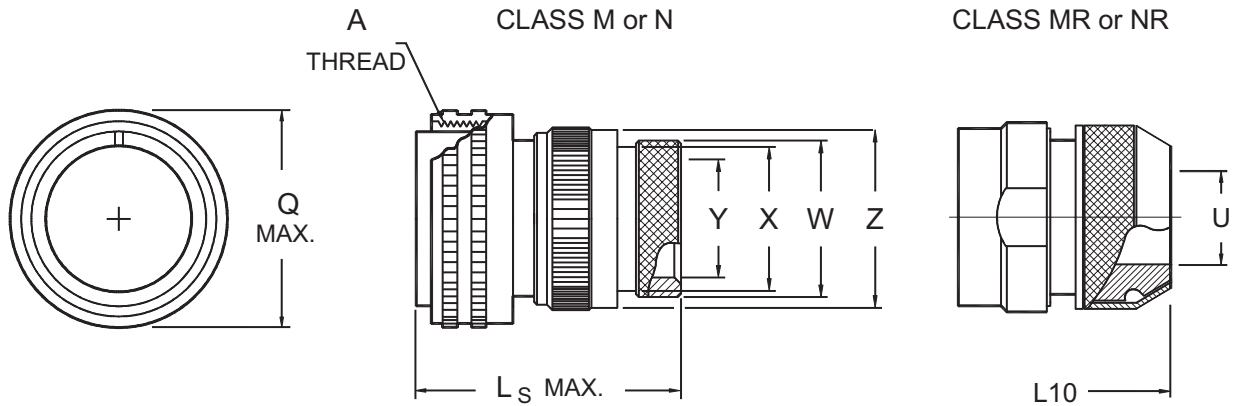
SHELL SIZE	A COUPLING THREAD CLASS 2B	L <sub>L</sub> MAX.	N MAX.	Q MAX.	CABLE CLAMP
8S	1/2-28 UNEF	2.225 [56.52]	.807 [20.50]	.844 [21.44]	SCP74908-*
10S	5/8-24 UNEF	2.300 [58.42]	.807 [20.50]	.969 [24.61]	SCP74910-*
10SL	5/8-24 UNEF	2.300 [58.42]	.901 [22.89]	.969 [24.61]	SCP74911-*
12	3/4-20 UNEF	2.900 [73.66]	.901 [22.89]	1.062 [26.97]	SCP74912-*
12S	3/4-20 UNEF	2.500 [63.50]	.901 [22.89]	1.062 [26.97]	SCP74913-*
14	7/8-20 UNEF	2.900 [73.66]	1.026 [26.06]	1.156 [29.36]	SCP74914-*
14S	7/8-20 UNEF	2.500 [63.50]	1.026 [26.06]	1.156 [29.36]	SCP74915-*
16	1-20 UNEF	2.900 [73.66]	1.119 [28.42]	1.250 [31.75]	SCP74916-*
16S	1-20 UNEF	2.500 [63.50]	1.119 [28.42]	1.250 [31.75]	SCP74917-*
18	1 1/8-18 UNEF	2.900 [73.66]	1.229 [31.22]	1.344 [34.14]	SCP74918-*
20	1 1/4-18 UNEF	3.000 [76.20]	1.479 [37.57]	1.469 [37.31]	SCP74920-*
22	1 3/8-18 UNEF	3.000 [76.20]	1.479 [37.57]	1.594 [40.49]	SCP74922-*
24	1 1/2-18 UNEF	3.250 [82.55]	1.666 [42.32]	1.719 [43.66]	SCP74924-*
28	1 3/4-18 UNS	3.250 [82.55]	1.666 [42.32]	1.969 [50.01]	SCP74928-*
32	2-18 UNS	3.600 [91.44]	2.135 [54.23]	2.219 [56.36]	SCP74932-*
36	2 1/4-16 UN	3.600 [91.44]	2.260 [57.40]	2.469 [62.71]	SCP74936-*
40	2 1/2-16 UN	3.900 [99.06]	2.510 [63.75]	2.719 [69.06]	SCP74940-*
44	2 3/4-16 UN	4.000 [101.60]	2.812 [71.42]	3.000 [76.20]	SCP74944-*
48	3-16 UN	4.225 [107.32]	3.312 [84.12]	3.250 [82.55]	SCP74948-*

Dimensions in brackets [ ] are in millimeters.

# STRAIGHT PLUG

SCP06M, N  
SCPG06MR, NR

1A



SCP06M\* Shrink boot adapter, environmental, less grommet<sup>Ⓞ</sup>

SCP06MR\* Same as above, for EMI/RFI shielding<sup>Ⓞ</sup>

SCP06N\* Shrink boot adapter, environmental, with grommet<sup>Ⓞ</sup>

SCP06NR\* Same as above, for EMI/RFI shielding<sup>Ⓞ</sup>

SHELL SIZE	A COUPLING THREAD CLASS 2B	L <sub>S</sub> MAX.	L <sub>10</sub> MAX.	Q MAX.	U MAX.	W ±.008 [±0.20]	X MAX.	Y ±.004 [±0.10]	Z ±.008 [±0.20]
8S	1/2-28 UNEF	*	*	.844 [21.44]	*	-	-	-	-
10S	5/8-24 UNEF	2.140 [54.36]	*	.969 [24.61]	*	.605 [15.37]	.524 [13.30]	.311 [7.90]	.734 [18.64]
10SL	5/8-24 UNEF	2.140 [54.36]	2.023 [51.40]	.969 [24.61]	.338 [8.60]	.605 [15.37]	.524 [13.30]	.311 [7.90]	.734 [18.64]
12	3/4-20 UNEF	2.612 [66.34]	2.460 [62.50]	1.062 [26.97]	.378 [9.60]	.774 [19.66]	.524 [13.30]	.311 [7.90]	.858 [21.79]
12S	3/4-20 UNEF	2.140 [54.36]	2.023 [51.40]	1.062 [26.97]	.378 [9.60]	.774 [19.66]	.524 [13.30]	.311 [7.90]	.858 [21.79]
14	7/8-20 UNEF	2.612 [66.34]	2.460 [62.50]	1.156 [29.36]	.417 [10.60]	.838 [21.29]	.669 [17.00]	.425 [10.80]	.984 [24.99]
14S	7/8-20 UNEF	2.140 [54.36]	2.023 [51.40]	1.156 [29.36]	.417 [10.60]	.838 [21.29]	.669 [17.00]	.425 [10.80]	.984 [24.99]
16	1-20 UNEF	2.612 [66.34]	2.460 [62.50]	1.250 [31.75]	.531 [13.50]	.963 [24.46]	.862 [21.90]	.539 [13.70]	1.112 [28.24]
16S	1-20 UNEF	2.140 [54.36]	2.102 [53.40]	1.250 [31.75]	.531 [13.50]	.963 [24.46]	.862 [21.90]	.539 [13.70]	1.112 [28.24]
18	1 1/8-18 UNEF	2.612 [66.34]	2.508 [63.70]	1.344 [34.14]	.575 [14.60]	1.042 [26.47]	.885 [22.48]	.583 [14.80]	1.218 [26.50]
20	1 1/4-18 UNEF	2.809 [71.35]	2.508 [63.70]	1.469 [37.31]	.728 [18.50]	1.217 [30.91]	1.039 [26.39]	.744 [18.90]	1.345 [34.16]
22	1 3/8-18 UNEF	2.809 [71.35]	2.508 [63.70]	1.594 [40.49]	.819 [20.80]	1.355 [34.42]	1.129 [28.68]	.827 [21.00]	1.468 [37.29]
24	1 1/2-18 UNEF	2.809 [71.35]	2.535 [64.40]	1.719 [43.66]	.969 [24.60]	1.433 [36.40]	1.247 [34.50]	.976 [24.80]	1.593 [40.46]
28	1 3/4-18 UNS	2.809 [71.35]	2.535 [64.40]	1.969 [50.01]	1.063 [27.00]	1.709 [43.41]	1.409 [35.79]	1.071 [27.20]	1.969 [50.01]
32	2-18 UNS	3.006 [76.80]	2.630 [66.80]	2.219 [56.36]	1.131 [33.30]	1.919 [47.80]	1.692 [42.98]	1.319 [33.50]	2.219 [56.36]
36	2 1/4-16 UN	3.203 [81.36]	2.630 [66.80]	2.469 [62.71]	1.516 [38.50]	2.169 [55.09]	1.948 [49.48]	1.524 [38.70]	2.469 [62.71]
40	2 1/2-16 UN	3.281 [83.34]	2.630 [66.80]	2.719 [69.06]	1.811 [46.00]	2.402 [61.01]	2.184 [55.47]	1.898 [48.20]	2.719 [69.06]

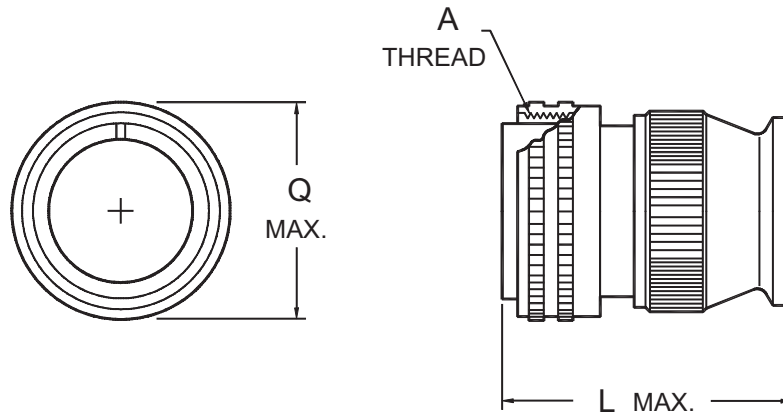
Dimensions in brackets [ ] are in millimeters.

\* Consult Factory

Ⓞ Plug has "O" ring under coupling nut.

# STRAIGHT PLUG

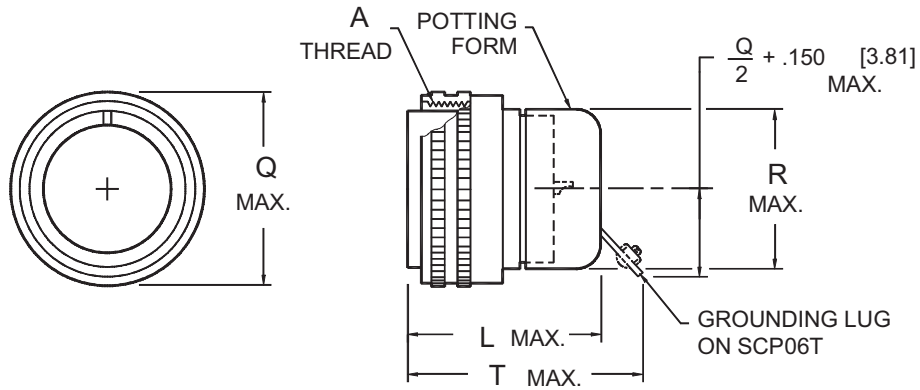
SCP06R  
SCPG06R



SCP06R\* Grommet nut, environmental, with grommet<sup>®</sup>  
SCPG06R\* Same as above, with grounding spring<sup>®</sup>

SHELL SIZE	A COUPLING THREAD CLASS 2B	L MAX.	Q MAX.
8S	1/2-28 UNEF	1.838 [46.69]	.844 [21.44]
10S	5/8-24 UNEF	1.838 [46.69]	.969 [24.61]
10SL	5/8-24 UNEF	1.838 [46.69]	.969 [24.61]
12	3/4-20 UNEF	2.181 [55.40]	1.062 [26.97]
12S	3/4-20 UNEF	1.838 [46.69]	1.062 [26.97]
14	7/8-20 UNEF	2.181 [55.40]	1.156 [29.36]
14S	7/8-20 UNEF	1.838 [46.69]	1.156 [29.36]
16	1-20 UNEF	2.181 [55.40]	1.250 [31.75]
16S	1-20 UNEF	1.838 [46.69]	1.250 [31.75]
18	1 1/8-18 UNEF	2.281 [57.94]	1.344 [34.14]
20	1 1/4-18 UNEF	2.281 [57.94]	1.469 [37.31]
22	1 3/8-18 UNEF	2.281 [57.94]	1.594 [40.49]
24	1 1/2-18 UNEF	2.281 [57.94]	1.719 [43.66]
28	1 3/4-18 UNS	2.281 [57.94]	1.969 [50.01]
32	2-18 UNS	2.322 [58.98]	2.219 [56.36]
36	2 1/4-16 UN	2.322 [58.98]	2.469 [62.71]
40	2 1/2-16 UN	2.430 [61.72]	2.719 [69.06]

Dimensions in brackets [ ] are in millimeters.  
⊙ Plug has "O" ring under coupling nut.



**SCP06S\* Potting boot, environmental, less grommet**

**SCP06T\* Potting boot, environmental, less grommet with grounding lug**

SHELL SIZE	A COUPLING THREAD CLASS 2B	L MAX. ②	Q MAX.	R MAX.	T MAX. ②
8S	1/2-28 UNEF	1.500 [38.10]	.844 [21.44]	.613 [15.57]	1.875 [47.62]
10S	5/8-24 UNEF	1.500 [38.10]	.969 [24.61]	.707 [17.96]	1.875 [47.62]
10SL	5/8-24 UNEF	1.500 [38.10]	.969 [24.61]	.863 [21.92]	1.875 [47.62]
12S	3/4-20 UNEF	1.500 [38.10]	1.062 [26.97]	.863 [21.92]	1.875 [47.62]
12	3/4-20 UNEF	1.906 [48.41]	1.062 [26.97]	.863 [21.92]	2.281 [57.94]
14S	7/8-20 UNEF	1.500 [38.10]	1.156 [29.36]	.941 [23.90]	1.875 [47.62]
14	7/8-20 UNEF	1.906 [48.41]	1.156 [29.36]	.941 [23.90]	2.281 [57.94]
16S	1-20 UNEF	1.500 [38.10]	1.250 [31.75]	1.066 [27.08]	1.875 [47.62]
16	1-20 UNEF	1.906 [48.41]	1.250 [31.75]	1.066 [27.08]	2.281 [57.94]
18	1 1/8-18 UNEF	1.906 [48.41]	1.344 [34.14]	1.207 [30.66]	2.281 [57.94]
20	1 1/4-18 UNEF	2.188 [55.58]	1.469 [37.31]	1.332 [33.83]	2.594 [65.89]
22	1 3/8-18 UNEF	2.188 [55.58]	1.594 [40.49]	1.457 [37.01]	2.594 [65.89]
24	1 1/2-18 UNEF	2.188 [55.58]	1.719 [43.66]	1.582 [40.18]	2.594 [65.89]
28	1 3/4-18 UNS	2.188 [55.58]	1.969 [50.01]	1.832 [46.53]	2.594 [65.89]
32	2-18 UNS	2.188 [55.58]	2.219 [56.36]	2.082 [52.88]	2.594 [65.89]
36	2 1/4-16 UN	2.188 [55.58]	2.469 [62.71]	2.395 [60.83]	2.594 [65.89]
40	2 1/2-16 UN	2.188 [55.58]	2.719 [69.06]	2.594 [65.89]	2.594 [65.89]
44	2 3/4-16 UN	2.188 [55.58]	2.969 [75.41]	2.875 [73.02]	2.594 [65.89]
48	3-16 UN	2.188 [55.58]	3.219 [81.76]	3.125 [79.37]	2.594 [65.89]

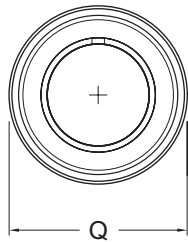
1. Dimensions in brackets [ ] are in millimeters.

② Add .375 for size "0" contacts.

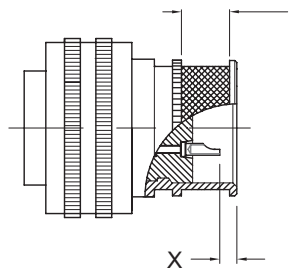
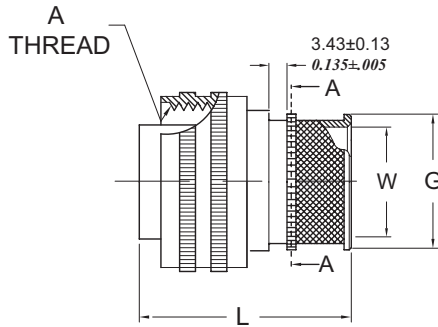
# STRAIGHT PLUG SOLDER CONTACTS (MS3106)

## SCP06SV, SCPG06SV

FRONT VIEW

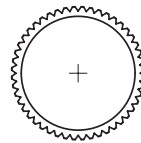


SIDE VIEW



SHELL SIZES:  
8S - 16S  
6.35±0.13  
0.250±.005  
FOR .125 BAND

SHELL SIZES:  
16 - 40  
9.14±0.13  
0.360±.005  
FOR .240 BAND



SECTION A-A  
(Shell teeth shown for clarity)

**SCP06SV\*** Environmental, less grommet  
**SCPG06SV\*** Environmental, less grommet with grounding spring

SHELL SIZE	FRONT VIEW		SIDE VIEW				
	Q	G	L	W	A	X	
	MAX	MAX	MAX	MIN	THREAD CLASS 2B	±.016 [±0.4]	
						.250 BAND	.125 BAND
8S	0.844 [21.44]	*	*	*	.500-28 UNEF	-	*
10SL	0.969 [24.61]	0.632 [16.1]	1.400 [35.56]	0.475 [12.1]	.625-24 UNEF	-	0.310 [7.9]
10S	0.969 [24.61]	0.632 [16.1]	*	0.475 [12.1]	.625-24 UNEF	-	*
12S	1.062 [26.97]	0.632 [16.1]	1.400 [35.56]	0.475 [12.1]	.750-20 UNEF	-	0.310 [7.9]
12	1.062 [26.97]	0.632 [16.1]	1.600 [40.64]	0.475 [12.1]	.750-20 UNEF	-	0.510 [12.9]
14S	1.156 [29.36]	0.755 [19.2]	1.400 [35.56]	0.605 [15.4]	.875-20 UNEF	-	0.310 [7.9]
14	1.156 [29.36]	0.755 [19.2]	1.600 [40.64]	0.605 [15.4]	.875-20 UNEF	-	0.510 [12.9]
16S	1.250 [31.75]	0.880 [22.4]	1.400 [35.56]	0.735 [18.7]	1.000-20 UNEF	-	0.310 [7.9]
16	1.250 [32.54]	0.880 [22.4]	1.725 [43.82]	0.735 [18.7]	1.000-20 UNEF	0.185 [4.7]	-
18	1.344 [34.14]	1.005 [25.5]	1.725 [43.82]	0.860 [21.9]	1.125-18 UNEF	0.185 [4.7]	-
20	1.469 [37.31]	1.130 [28.7]	1.725 [43.82]	0.975 [24.8]	1.250-18 UNEF	0.185 [4.7]	-
22	1.594 [40.49]	1.255 [31.9]	1.725 [43.82]	1.105 [28.1]	1.375-18 UNEF	0.185 [4.7]	-
24	1.719 [43.66]	1.380 [35.1]	1.725 [43.82]	1.230 [31.2]	1.500-18 UNEF	0.185 [4.7]	-
28	1.969 [50.01]	1.630 [41.4]	1.725 [43.82]	1.415 [35.9]	1.750-18 UNS	0.185 [4.7]	-
32	2.219 [56.36]	1.880 [47.8]	1.725 [43.82]	1.695 [43.1]	2.000-18 UNS	0.185 [4.7]	-
36	2.469 [62.71]	2.067 [52.5]	1.725 [43.82]	1.890 [48.0]	2.250-16 UN	0.185 [4.7]	-
40	2.719 [69.06]	2.317 [58.9]	1.725 [43.82]	2.120 [53.8]	2.500-16 UN	0.185 [4.7]	-

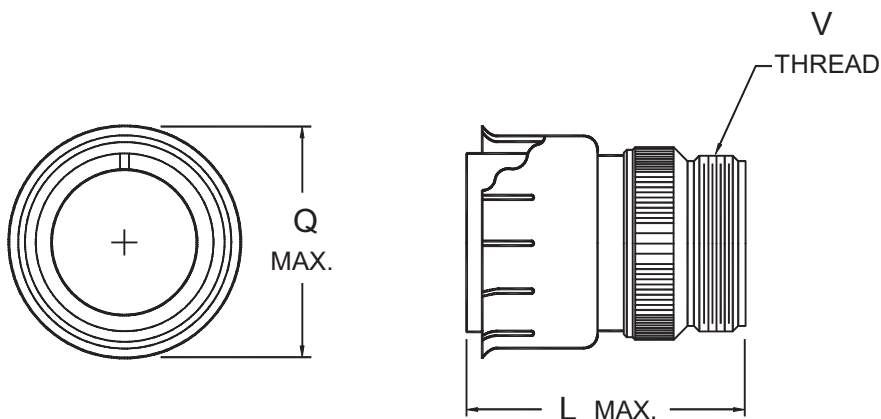
Dimensions in brackets [ ] are in millimeters.

\* Consult Factory

# QUICK DISCONNECT PLUG

SCP07A, B, C

1A



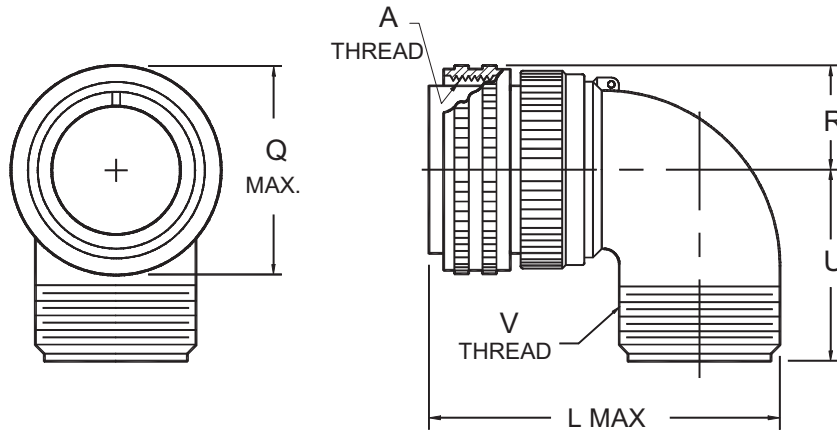
- SCP07A\* Threaded adapter, non-environmental, less grommet
- SCP07B\* Threaded adapter, environmental, with grommet
- SCP07C\* Threaded adapter, environmental, less grommet

SHELL SIZE	L MAX.	Q MAX.	V ACCESSORY THREAD CLASS 2A
8S	1.469 [37.31]	1.250 [31.75]	1/2-28 UNEF
10S	1.531 [38.89]	1.375 [34.92]	1/2-28 UNEF
10SL	1.531 [38.89]	1.375 [34.92]	5/8-24 UNEF
12	2.062 [52.37]	1.500 [38.10]	5/8-24 UNEF
12S	1.688 [42.88]	1.500 [38.10]	5/8-24 UNEF
14	2.062 [52.37]	1.625 [41.27]	3/4-20 UNEF
14S	1.688 [42.88]	1.625 [41.27]	3/4-20 UNEF
16	2.062 [52.37]	1.750 [44.45]	7/8-20 UNEF
16S	1.688 [42.88]	1.750 [44.45]	7/8-20 UNEF
18	2.062 [52.37]	1.875 [47.62]	1-20 UNEF
20	2.188 [55.58]	2.000 [50.80]	1 3/16-18 UNEF
22	2.188 [55.58]	2.125 [53.97]	1 3/16-18 UNEF
24	2.312 [58.72]	2.250 [57.15]	1 7/16-18 UNEF
28	2.312 [58.72]	2.500 [63.50]	1 7/16-18 UNEF

Dimensions in brackets [ ] are in millimeters.

# 90° PLUG

SCP08A, C  
SCPG08A, C

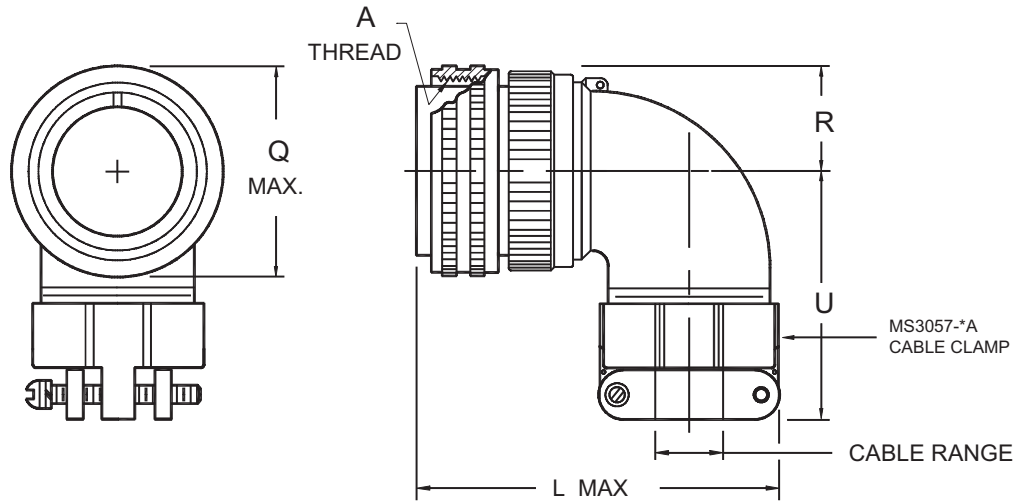


- SCP08A\* Threaded adapter, non-environmental, less grommet
- SCPG08A\* Same as above, with grounding spring
- SCP08C\* Threaded adapter, environmental, less grommet
- SCPG08C\* Same as above, with grounding spring

SHELL SIZE	A COUPLING THREAD CLASS 2B	L MAX.	Q MAX.	R MAX.	U MAX.	V ACCESSORY THREAD CLASS 2A
8S	1/2-28 UNEF	1.750 [44.45]	.844 [21.44]	.422 [10.72]	.938 [23.83]	1/2-28 UNEF
10S	5/8-24 UNEF	1.750 [44.45]	.969 [24.61]	.485 [12.32]	1.000 [25.40]	1/2-28 UNEF
10SL	5/8-24 UNEF	1.812 [46.02]	.969 [24.61]	.531 [13.49]	1.000 [25.40]	5/8-24 UNEF
12	3/4-20 UNEF	2.250 [57.15]	1.062 [26.97]	.531 [13.49]	1.062 [26.97]	5/8-24 UNEF
12S	3/4-20 UNEF	2.000 [50.80]	1.062 [26.97]	.531 [13.49]	1.062 [26.97]	5/8-24 UNEF
14	7/8-20 UNEF	2.312 [58.72]	1.156 [29.36]	.656 [16.66]	1.125 [28.57]	3/4-20 UNEF
14S	7/8-20 UNEF	2.125 [53.97]	1.156 [29.36]	.656 [16.66]	1.125 [28.57]	3/4-20 UNEF
16	1-20 UNEF	2.562 [65.07]	1.250 [31.75]	.750 [19.05]	1.188 [30.18]	7/8-20 UNEF
16S	1-20 UNEF	2.375 [60.32]	1.250 [31.75]	.750 [19.05]	1.188 [30.18]	7/8-20 UNEF
18	1 1/8-18 UNEF	2.688 [68.28]	1.344 [34.14]	.828 [21.03]	1.312 [33.32]	1-20 UNEF
20	1 1/4-18 UNEF	3.031 [76.99]	1.469 [37.31]	.906 [23.01]	1.375 [34.92]	1 3/16-18 UNEF
22	1 3/8-18 UNEF	3.031 [76.99]	1.594 [40.49]	.969 [24.61]	1.375 [34.92]	1 3/16-18 UNEF
24	1 1/2-18 UNEF	3.406 [86.51]	1.719 [43.66]	1.031 [26.19]	1.562 [39.67]	1 7/16-18 UNEF
28	1 3/4-18 UNS	3.406 [86.51]	1.969 [50.01]	1.156 [29.36]	1.562 [39.67]	1 7/16-18 UNEF
32	2-18 UNS	3.750 [95.25]	2.219 [56.36]	1.312 [33.32]	1.875 [47.62]	1 3/4-18 UNS
36	2 1/4-16 UN	3.938 [100.03]	2.469 [62.71]	1.438 [36.53]	2.062 [52.37]	2-18 UNS
40	2 1/2-16 UN	4.750 [120.65]	2.719 [69.06]	1.562 [39.67]	2.125 [53.97]	2 1/4-16 UN
44	2 3/4-16 UN	4.812 [122.22]	2.968 [75.39]	1.687 [42.85]	2.250 [57.15]	2 1/2-16 UN
48	3-16 UN	4.937 [125.40]	3.218 [81.74]	1.812 [46.02]	2.375 [60.32]	3-16 UN

Dimensions in brackets [ ] are in millimeters.





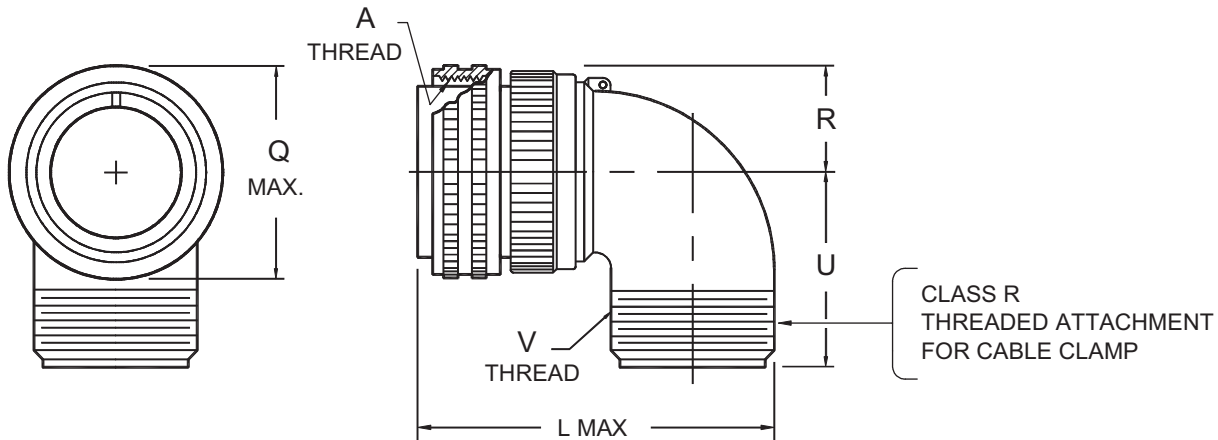
- SCP08D\* Two (2) piece backshell w/ MS3057\*A clamp, environmental, less grommet
- SCPG08D\* Same as above, with grounding spring
- SCP08F\* Two (2) piece backshell w/ MS3057\*A clamp, environmental, with grommet<sup>Ⓞ</sup>
- SCPG08F\* Same as above, with grounding spring<sup>Ⓞ</sup>

SHELL SIZE	A COUPLING THREAD CLASS 2B	L MAX.	Q MAX.	R MAX.	U MAX.	CABLE RANGE	
						OPEN	CLOSED
8S	1/2-28 UNEF	2.156 [54.76]	.844 [21.44]	.422 [10.72]	1.469 [37.31]	.250 [6.35]	.125 [3.18]
10S	5/8-24 UNEF	2.156 [54.76]	.969 [24.61]	.516 [13.11]	1.469 [37.31]	.250 [6.35]	.125 [3.18]
10SL	5/8-24 UNEF	2.188 [55.58]	.969 [24.61]	.516 [13.11]	1.500 [38.10]	.312 [7.92]	.125 [3.18]
12	3/4-20 UNEF	2.531 [64.29]	1.062 [26.97]	.562 [14.27]	1.500 [38.10]	.312 [7.92]	.125 [3.18]
12S	3/4-20 UNEF	2.188 [55.58]	1.062 [26.97]	.562 [14.27]	1.500 [38.10]	.312 [7.92]	.125 [3.18]
14	7/8-20 UNEF	2.688 [68.28]	1.156 [29.36]	.625 [15.87]	1.594 [40.49]	.438 [11.13]	.250 [6.35]
14S	7/8-20 UNEF	2.312 [58.72]	1.156 [29.36]	.625 [15.87]	1.594 [40.49]	.438 [11.13]	.250 [6.35]
16	1-20 UNEF	2.781 [70.64]	1.250 [31.75]	.688 [17.48]	1.688 [42.88]	.562 [14.27]	.312 [7.92]
16S	1-20 UNEF	2.406 [61.11]	1.250 [31.75]	.688 [17.48]	1.688 [42.88]	.562 [14.27]	.312 [7.92]
18	1 1/8-18 UNEF	2.844 [72.24]	1.344 [34.14]	.750 [19.05]	1.781 [45.24]	.625 [15.88]	.350 [8.89]
20	1 1/4-18 UNEF	3.250 [82.55]	1.469 [37.31]	.844 [21.44]	1.969 [50.01]	.750 [19.05]	.500 [12.70]
22	1 3/8-18 UNEF	3.250 [82.55]	1.594 [40.49]	.906 [23.01]	2.000 [50.80]	.750 [19.05]	.500 [12.70]
24	1 1/2-18 UNEF	3.719 [94.46]	1.719 [43.66]	.953 [24.21]	2.125 [53.97]	.938 [23.83]	.625 [15.88]
28	1 3/4-18 UNS	3.719 [94.46]	1.969 [50.01]	1.094 [27.79]	2.188 [55.58]	.938 [23.83]	.625 [15.88]
32	2-18 UNS	4.188 [106.38]	2.219 [56.36]	1.234 [31.34]	2.594 [65.89]	1.250 [31.75]	.875 [22.23]
36	2 1/4-16 UN	4.297 [109.14]	2.469 [62.71]	1.359 [34.52]	2.719 [69.06]	1.375 [34.93]	1.000 [25.40]
40	2 1/2-16 UN	4.516 [114.71]	2.719 [69.06]	1.422 [36.12]	3.188 [80.98]	1.625 [41.28]	1.250 [31.75]

Dimensions in brackets [ ] are in millimeters.  
<sup>Ⓞ</sup> Plug has "O" ring under coupling nut.

# 90° PLUG

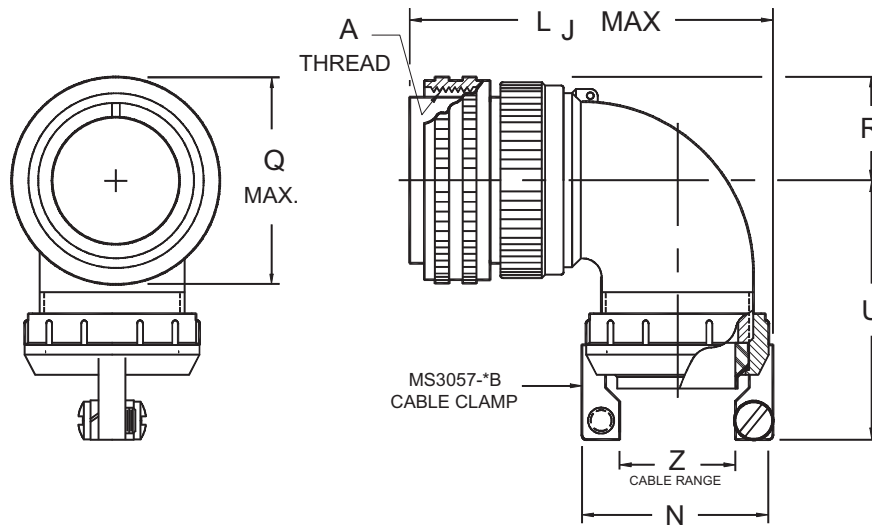
SCP08E, G  
SCPG08E, G



- SCP08E\* One (1) piece backshell, environmental, with grommet
- SCPG08E\* Same as above, with grounding spring
- SCP08G\* One (1) piece backshell, environmental, with grommet<sup>Ⓞ</sup>
- SCPG08G\* Same as above, with grounding spring<sup>Ⓞ</sup>

SHELL SIZE	A COUPLING THREAD CLASS 2B	L MAX.	Q MAX.	R MAX.	U MAX.	V ACCESSORY THREAD CLASS 2A
8S	1/2-28 UNEF	2.156 [54.76]	.844 [21.44]	.422 [10.72]	1.469 [37.31]	1/2-28 UNEF
10S	5/8-24 UNEF	2.156 [54.76]	.969 [24.61]	.516 [13.11]	1.469 [37.31]	1/2-28 UNEF
10SL	5/8-24 UNEF	2.188 [55.58]	.969 [24.61]	.516 [13.11]	1.500 [38.10]	5/8-24 UNEF
12	3/4-20 UNEF	2.531 [64.29]	1.062 [26.97]	.562 [14.27]	1.500 [38.10]	5/8-24 UNEF
12S	3/4-20 UNEF	2.188 [55.58]	1.062 [26.97]	.562 [14.27]	1.500 [38.10]	5/8-24 UNEF
14	7/8-20 UNEF	2.688 [68.28]	1.156 [29.36]	.625 [15.87]	1.594 [40.49]	3/4-20 UNEF
14S	7/8-20 UNEF	2.312 [58.72]	1.156 [29.36]	.625 [15.87]	1.594 [40.49]	3/4-20 UNEF
16	1-20 UNEF	2.781 [70.64]	1.250 [31.75]	.688 [17.48]	1.688 [42.88]	7/8-20 UNEF
16S	1-20 UNEF	2.406 [61.11]	1.250 [31.75]	.688 [17.48]	1.688 [42.88]	7/8-20 UNEF
18	1 1/8-18 UNEF	2.844 [72.24]	1.344 [34.14]	.750 [19.05]	1.781 [45.24]	1-20 UNEF
20	1 1/4-18 UNEF	3.250 [82.55]	1.469 [37.31]	.844 [21.44]	1.969 [50.01]	1 3/16-18 UNEF
22	1 3/8-18 UNEF	3.250 [82.55]	1.594 [40.49]	.906 [23.01]	2.000 [50.80]	1 3/16-18 UNEF
24	1 1/2-18 UNEF	3.719 [94.46]	1.719 [43.66]	.953 [24.21]	2.125 [53.97]	1 7/16-18 UNEF
28	1 3/4-18 UNS	3.719 [94.46]	1.969 [50.01]	1.094 [27.79]	2.188 [55.58]	1 7/16-18 UNEF
32	2-18 UNS	4.188 [106.38]	2.219 [56.36]	1.234 [31.34]	2.594 [65.89]	1 3/4-18 UNS
36	2 1/4-16 UN	4.297 [109.14]	2.469 [62.71]	1.359 [34.52]	2.719 [69.06]	2-18 UNS
40	2 1/2-16 UN	4.516 [114.71]	2.719 [69.06]	1.422 [36.12]	3.188 [80.98]	2 1/4-16 UN

Dimensions in brackets [ ] are in millimeters.  
Ⓞ Plug has "O" ring under coupling nut.



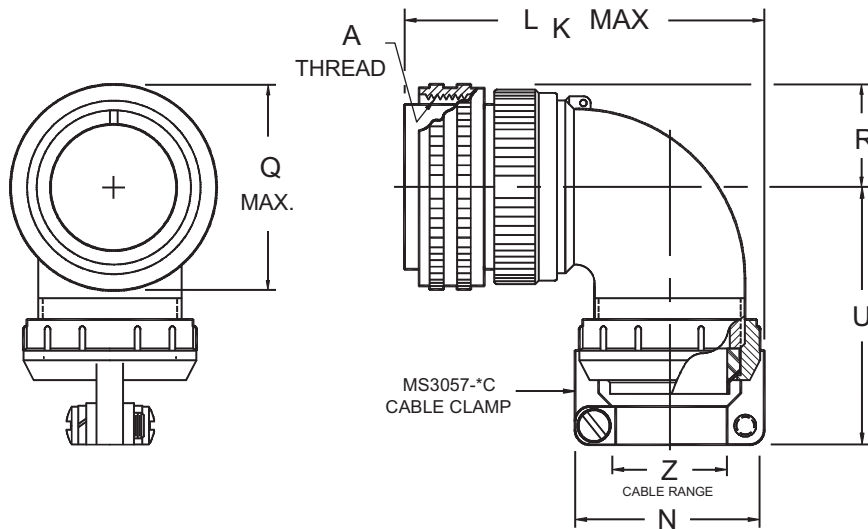
**SCP08J\*** Two (2) piece backshell w/ MS3057\*B clamp,  
environmental, less grommet  
**SCPG08J\*** Same as above, with grounding spring

SHELL SIZE	A COUPLING THREAD CLASS 2B	L <sub>J</sub> MAX.	N MAX.	Q MAX.	R MAX.	U MAX.	CABLE CLAMP	Z CABLE RANGE	
								FREE	CLOSED
8S	1/2-28 UNEF	2.156 [54.76]	.812 [20.62]	.844 [21.44]	.422 [10.72]	1.469 [37.31]	MS3057-3B	.219 [5.56]	.031 [0.79]
10S	5/8-24 UNEF	2.156 [54.76]	.812 [20.62]	.969 [24.61]	.516 [13.11]	1.469 [37.31]	MS3057-3B	.219 [5.56]	.031 [0.79]
10SL	5/8-24 UNEF	2.188 [55.58]	.937 [23.80]	.969 [24.61]	.516 [13.11]	1.500 [38.10]	MS3057-4B	.312 [7.92]	.094 [2.39]
12	3/4-20 UNEF	2.531 [64.29]	.937 [23.80]	1.062 [26.97]	.562 [14.27]	1.500 [38.10]	MS3057-4B	.312 [7.92]	.094 [2.39]
12S	3/4-20 UNEF	2.188 [55.58]	.937 [23.80]	1.062 [26.97]	.562 [14.27]	1.500 [38.10]	MS3057-4B	.312 [7.92]	.094 [2.39]
14	7/8-20 UNEF	2.688 [68.28]	1.062 [26.97]	1.156 [29.36]	.625 [15.87]	1.594 [40.49]	MS3057-6B	.438 [11.13]	.250 [6.35]
14S	7/8-20 UNEF	2.312 [58.72]	1.062 [26.97]	1.156 [29.36]	.625 [15.87]	1.594 [40.49]	MS3057-6B	.438 [11.13]	.250 [6.35]
16	1-20 UNEF	2.781 [70.64]	1.188 [30.18]	1.250 [31.75]	.688 [17.48]	1.688 [42.88]	MS3057-8B	.531 [13.49]	.312 [7.92]
16S	1-20 UNEF	2.406 [61.11]	1.188 [30.18]	1.250 [31.75]	.688 [17.48]	1.688 [42.88]	MS3057-8B	.531 [13.49]	.312 [7.92]
18	1 1/8-18 UNEF	2.844 [72.24]	1.312 [33.32]	1.344 [34.14]	.750 [19.05]	1.781 [45.24]	MS3057-10B	.625 [15.88]	.375 [9.52]
20	1 1/4-18 UNEF	3.250 [82.55]	1.562 [39.67]	1.469 [37.31]	.844 [21.44]	1.969 [50.01]	MS3057-12B	.750 [19.05]	.500 [12.70]
22	1 3/8-18 UNEF	3.250 [82.55]	1.562 [39.67]	1.594 [40.49]	.906 [23.01]	2.000 [50.80]	MS3057-12B	.750 [19.05]	.500 [12.70]
24	1 1/2-18 UNEF	3.719 [94.46]	1.750 [44.45]	1.719 [43.66]	.953 [24.21]	2.125 [53.97]	MS3057-16B	.938 [23.83]	.594 [15.09]
28	1 3/4-18 UNS	3.719 [94.46]	1.750 [44.45]	1.969 [50.01]	1.094 [27.79]	2.188 [55.58]	MS3057-16B	.938 [23.83]	.594 [15.09]
32	2-18 UNS	4.188 [106.38]	2.250 [57.15]	2.219 [56.36]	1.234 [31.34]	2.594 [65.89]	MS3057-20B	1.250 [31.75]	.938 [23.83]
36	2 1/4-16 UN	4.297 [109.14]	2.375 [60.33]	2.469 [62.71]	1.359 [34.52]	2.719 [69.06]	MS3057-24B	1.375 [34.93]	.969 [24.61]
40	2 1/2-16 UN	4.516 [114.71]	2.625 [66.68]	2.719 [69.06]	1.422 [36.12]	3.188 [80.98]	MS3057-28B	1.625 [41.28]	1.188 [30.18]

Dimensions in brackets [ ] are in millimeters.

# 90° PLUG

SCP08K  
SCPG08K

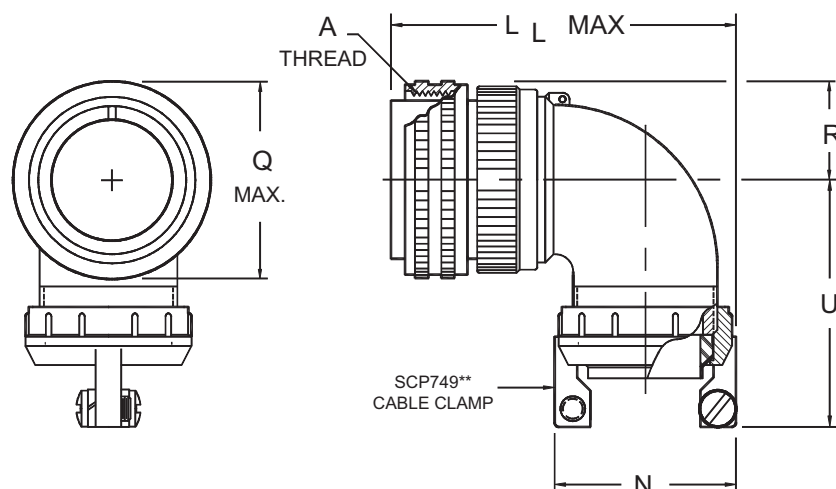


**SCP08K\*** Two (2) piece backshell w/ MS3057\*C clamp,  
environmental, less grommet  
**SCPG08K\*** Same as above, with grounding spring

SHELL SIZE	A COUPLING THREAD CLASS 2B	L <sub>K</sub> MAX.	N MAX.	Q MAX.	R MAX.	U MAX.	CABLE CLAMP	Z CABLE RANGE	
								FREE	CLOSED
8S	1/2-28 UNEF	2.156 [54.76]	.812 [20.62]	.844 [21.44]	.422 [10.72]	1.469 [37.31]	MS3057-3C	.219 [5.56]	.031 [0.79]
10S	5/8-24 UNEF	2.156 [54.76]	.812 [20.62]	.969 [24.61]	.516 [13.11]	1.469 [37.31]	MS3057-3C	.219 [5.56]	.031 [0.79]
10SL	5/8-24 UNEF	2.188 [55.58]	.937 [23.80]	.969 [24.61]	.516 [13.11]	1.500 [38.10]	MS3057-4C	.312 [7.92]	.094 [2.39]
12	3/4-20 UNEF	2.531 [64.29]	.937 [23.80]	1.062 [26.97]	.562 [14.27]	1.500 [38.10]	MS3057-4C	.312 [7.92]	.094 [2.39]
12S	3/4-20 UNEF	2.188 [55.58]	.937 [23.80]	1.062 [26.97]	.562 [14.27]	1.500 [38.10]	MS3057-4C	.312 [7.92]	.094 [2.39]
14	7/8-20 UNEF	2.688 [68.28]	1.062 [26.97]	1.156 [29.36]	.625 [15.87]	1.594 [40.49]	MS3057-6C	.438 [11.13]	.250 [6.35]
14S	7/8-20 UNEF	2.312 [58.72]	1.062 [26.97]	1.156 [29.36]	.625 [15.87]	1.594 [40.49]	MS3057-6C	.438 [11.13]	.250 [6.35]
16	1-20 UNEF	2.781 [70.64]	1.188 [30.18]	1.250 [31.75]	.688 [17.48]	1.688 [42.88]	MS3057-8C	.531 [13.49]	.312 [7.92]
16S	1-20 UNEF	2.406 [61.11]	1.188 [30.18]	1.250 [31.75]	.688 [17.48]	1.688 [42.88]	MS3057-8C	.531 [13.49]	.312 [7.92]
18	1 1/8-18 UNEF	2.844 [72.24]	1.312 [33.32]	1.344 [34.14]	.750 [19.05]	1.781 [45.24]	MS3057-10C	.625 [15.88]	.375 [9.52]
20	1 1/4-18 UNEF	3.250 [82.55]	1.562 [39.67]	1.469 [37.31]	.844 [21.44]	1.969 [50.01]	MS3057-12C	.750 [19.05]	.500 [12.70]
22	1 3/8-18 UNEF	3.250 [82.55]	1.562 [39.67]	1.594 [40.49]	.906 [23.01]	2.000 [50.80]	MS3057-12C	.750 [19.05]	.500 [12.70]
24	1 1/2-18 UNEF	3.719 [94.46]	1.750 [44.45]	1.719 [43.66]	.953 [24.21]	2.125 [53.97]	MS3057-16C	.938 [23.83]	.594 [15.09]
28	1 3/4-18 UNS	3.719 [94.46]	1.750 [44.45]	1.969 [50.01]	1.094 [27.79]	2.188 [55.58]	MS3057-16C	.938 [23.83]	.594 [15.09]
32	2-18 UNS	4.188 [106.38]	2.250 [57.15]	2.219 [56.36]	1.234 [31.34]	2.594 [65.89]	MS3057-20C	1.250 [31.75]	.938 [23.83]
36	2 1/4-16 UN	4.297 [109.14]	2.375 [60.33]	2.469 [62.71]	1.359 [34.52]	2.719 [69.06]	MS3057-24C	1.375 [34.93]	.969 [24.61]
40	2 1/2-16 UN	4.516 [114.71]	2.625 [66.68]	2.719 [69.06]	1.422 [36.12]	3.188 [80.98]	MS3057-28C	1.625 [41.28]	1.188 [30.18]

Dimensions in brackets [ ] are in millimeters.





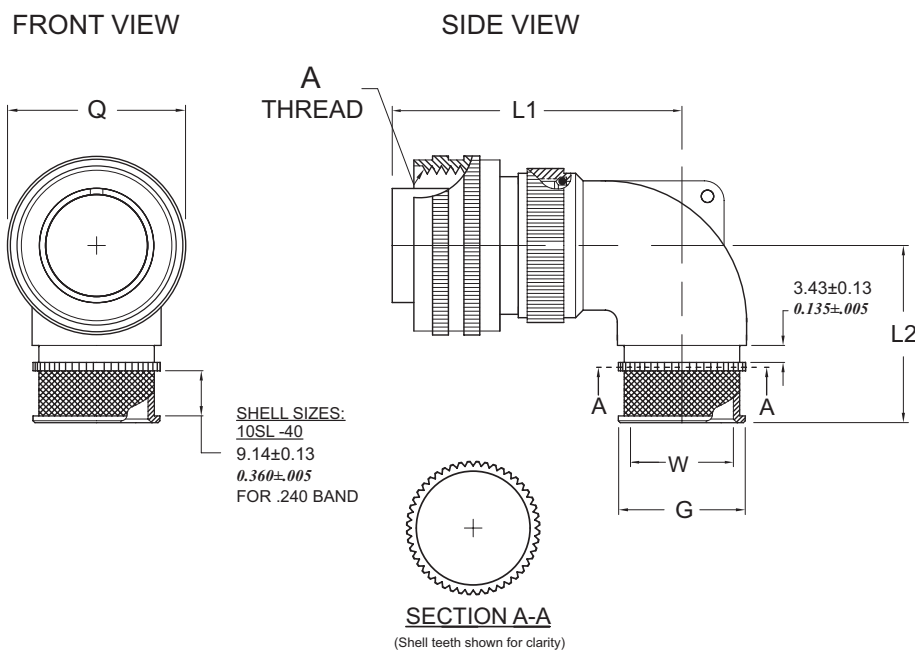
**SCP08L\*** Two (2) piece backshell w/ SCP749\*\*  
clamp, environmental, with grommet  
**SCPG08L\*** Same as above, with grounding spring

SHELL SIZE	A COUPLING THREAD CLASS 2B	L L MAX.	N MAX.	Q MAX.	R MAX.	U MAX.	CABLE CLAMP
8S	1/2-28 UNEF	2.156 [54.76]	.807 [20.50]	.844 [21.44]	.422 [10.72]	1.445 [36.70]	SCP74908-*
10S	5/8-24 UNEF	2.156 [54.76]	.807 [20.50]	.969 [24.61]	.516 [13.11]	1.445 [36.70]	SCP74910-*
10SL	5/8-24 UNEF	2.188 [55.58]	.901 [22.89]	.969 [24.61]	.516 [13.11]	1.508 [38.30]	SCP74911-*
12	3/4-20 UNEF	2.531 [64.29]	.901 [22.89]	1.062 [26.97]	.562 [14.27]	1.508 [38.30]	SCP74912-*
12S	3/4-20 UNEF	2.188 [55.58]	.901 [22.89]	1.062 [26.97]	.562 [14.27]	1.508 [38.30]	SCP74913-*
14	7/8-20 UNEF	2.688 [68.28]	1.026 [26.06]	1.156 [29.36]	.625 [15.87]	1.570 [39.88]	SCP74914-*
14S	7/8-20 UNEF	2.312 [58.72]	1.026 [26.06]	1.156 [29.36]	.625 [15.87]	1.570 [39.88]	SCP74915-*
16	1-20 UNEF	2.781 [70.64]	1.119 [28.42]	1.250 [31.75]	.688 [17.48]	1.633 [41.48]	SCP74916-*
16S	1-20 UNEF	2.406 [61.11]	1.119 [28.42]	1.250 [31.75]	.688 [17.48]	1.633 [41.48]	SCP74917-*
18	1 1/8-18 UNEF	2.844 [72.24]	1.229 [31.22]	1.344 [34.14]	.750 [19.05]	1.759 [44.68]	SCP74918-*
20	1 1/4-18 UNEF	3.250 [82.55]	1.479 [37.57]	1.469 [37.31]	.844 [21.44]	1.931 [49.05]	SCP74920-*
22	1 3/8-18 UNEF	3.250 [82.55]	1.479 [37.57]	1.594 [40.49]	.906 [23.01]	1.993 [50.62]	SCP74922-*
24	1 1/2-18 UNEF	3.719 [94.46]	1.666 [42.32]	1.719 [43.66]	.953 [24.21]	2.119 [53.82]	SCP74924-*
28	1 3/4-18 UNS	3.719 [94.46]	1.666 [42.32]	1.969 [50.01]	1.094 [27.79]	2.181 [55.40]	SCP74928-*
32	2-18 UNS	4.188 [106.38]	2.135 [54.23]	2.219 [56.36]	1.234 [31.34]	2.570 [65.28]	SCP74932-*
36	2 1/4-16 UN	4.297 [109.14]	2.260 [57.40]	2.469 [62.71]	1.359 [34.52]	2.695 [68.45]	SCP74936-*
40	2 1/2-16 UN	4.516 [114.71]	2.510 [63.75]	2.719 [69.06]	1.422 [36.12]	2.851 [72.42]	SCP74940-*

Dimensions in brackets [ ] are in millimeters.

# 90° PLUG SOLDER CONTACTS (MS3108)

## SCP08SV, SCPG08SV



**SCP08SV\* Environmental, less grommet**  
**SCPG08SV\* Environmental, less grommet with grounding spring**

SHELL SIZE	FRONT VIEW	SIDE VIEW				
	Q MAX	G MAX	L1 MAX	L2 MAX	W MIN	A THREAD CLASS 2B
8S	0.844 [21.44]	*	*	0.938 [23.83]	*	.500-28 UNEF
10SL	0.969 [24.61]	0.602 [15.29]	1.900 [48.26]	1.000 [25.40]	0.424 [10.77]	.625-24 UNEF
10S	0.969 [24.61]	0.602 [15.29]	*	1.000 [25.40]	0.424 [10.77]	.625-24 UNEF
12S	1.062 [26.97]	0.602 [15.29]	1.900 [48.26]	1.062 [26.97]	0.424 [10.77]	.750-20 UNEF
12	1.062 [26.97]	0.602 [15.29]	2.200 [55.88]	1.062 [26.97]	0.424 [10.77]	.750-20 UNEF
14S	1.156 [29.36]	0.707 [17.96]	2.000 [50.80]	1.125 [28.57]	0.465 [11.81]	.875-20 UNEF
14	1.156 [29.36]	0.707 [17.96]	2.200 [55.88]	1.125 [28.57]	0.465 [11.81]	.875-20 UNEF
16S	1.250 [31.75]	0.770 [19.56]	2.100 [53.34]	1.188 [30.18]	0.580 [14.73]	1.000-20 UNEF
16	1.250 [32.54]	0.770 [19.56]	2.420 [61.47]	1.188 [30.18]	0.580 [14.73]	1.000-20 UNEF
18	1.344 [34.14]	0.895 [22.73]	2.500 [63.50]	1.312 [33.32]	0.685 [17.40]	1.125-18 UNEF
20	1.469 [37.31]	1.000 [25.40]	2.750 [69.85]	1.375 [34.92]	0.820 [20.83]	1.250-18 UNEF
22	1.594 [40.49]	1.083 [27.51]	2.750 [69.85]	1.375 [34.92]	0.910 [23.11]	1.375-18 UNEF
24	1.719 [43.66]	1.215 [30.86]	2.900 [73.66]	1.562 [39.67]	1.025 [26.04]	1.500-18 UNEF
28	1.969 [50.01]	1.300 [33.02]	2.900 [73.66]	1.562 [39.67]	1.136 [28.85]	1.750-18 UNS
32	2.219 [56.36]	*	3.100 [78.74]	1.875 [47.62]	*	2.000-18 UNS
36	2.469 [62.71]	*	3.200 [81.28]	2.062 [52.37]	*	2.250-16 UN
40	2.719 [69.06]	*	3.300 [83.82]	2.125 [53.97]	*	2.500-16 UN

Dimensions in brackets [ ] are in millimeters.  
 \* Consult Factory

# SECTION 2A

## MIL-C-5015 SERIES II

### CRIMP, FRONT RELEASE CONTACTS

This Military Specification covers multipin cylindrical connectors and is one of the most widely used for various applications. There are 19 shell sizes, 8 shell configurations, and over 130 insert arrangements containing contact sizes 18, 16, 12, 8, 4, 1/0 and 4/0.

MIL-C-5015 has surely stood the test-of-time, having been first used in 1939. Through the years, these connectors have been upgraded with the use of state-of-the-art materials and finishes. The insert arrangements are so versatile that they are used in other series of connectors that use different shells and hardware.

Originally, only solder contacts were available. Today, in addition to solder, these connectors are available with crimp contacts, both front and rear release. The coupling method is by use of an UNF type thread. Other coupling methods, reverse bayonet and double-start threads are available.

Shown on the chart below is a comparison between various series.

**SERIES COMPARISON**

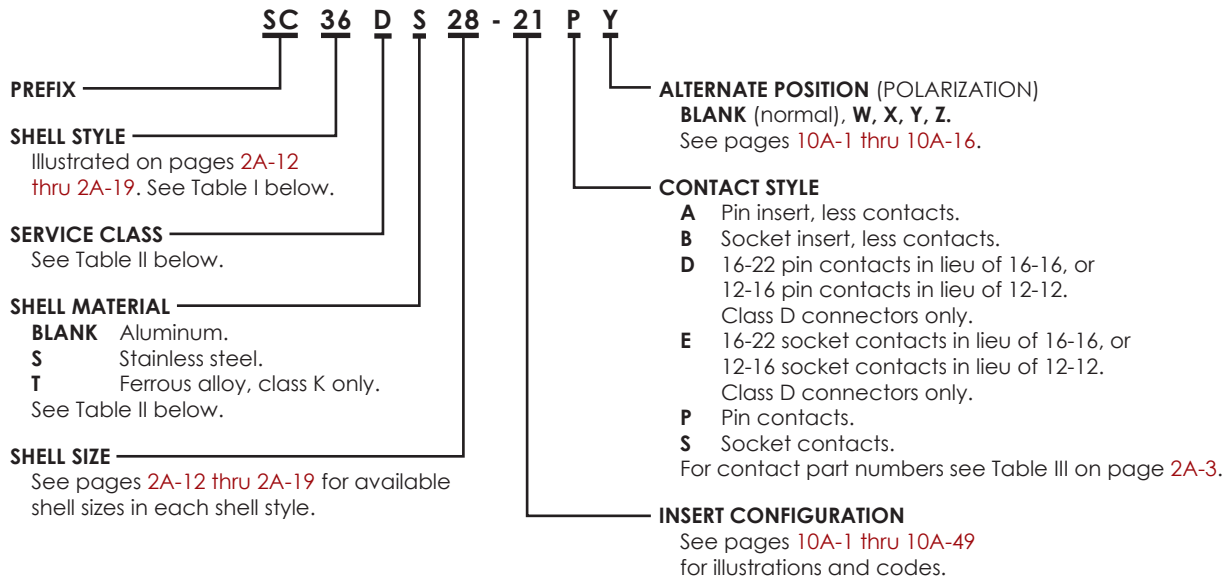
FEATURES	MIL-DTL-5015 SERIES I	MIL-DTL-5015 FRONT RELEASE SERIES II	MIL-DTL-5015 REAR RELEASE SERIES III	REVERSE BAYONET	SWL	SWLD
<b>COUPLING</b>	UNF Threads	UNF Threads	UNF Threads	1/3 turn Bayonet	Double start Threads	Double start Threads
<b>SHELL KEYWAYS</b>	1	1	1	1	1	5
<b>REAR ACCESSORY THREADS</b>	Right Hand	Right Hand	Right Hand	Right Hand	Left Hand	Left Hand
<b>BACKSHELLS</b>	With Connectors	Not supplied (1)	Not supplied (1)	With Connectors	Not supplied (1)	Not supplied (1)
<b>CONTACT TYPE</b>	Solder or F80 Crimp	Crimp	Crimp	Solder or F80 Crimp	Solder or F80 Crimp	Solder or F80 Crimp
<b>CONTACT RETENTION</b>	Rubber	Metal Clip	Metal Clip	Rubber	Rubber	Rubber

(1) Backshells must be purchased separately.

# MIL-C-5015 SERIES II

## CRIMP, FRONT RELEASE CONTACTS

### ORDERING INFORMATION



**TABLE I. SHELL STYLE**

SHELL STYLE	DESCRIPTION	AVAILABLE IN CLASS	SEE PAGE
SC30	Wall mount receptacle	D, DS, KS, KT, LS, W	2A-11
SC30SV	Wall mount receptacle with integrated backshell	D, DS, KS, KT, LS, W	2A-12
SC31	In-line receptacle	D, DS, LS, W	2A-13
SC31SV	In-line receptacle with integrated backshell	D, DS, LS, W	2A-14
SC32	Box mount receptacle	D, DS, LS, W	2A-15
SC33	Box mount receptacle with threaded rear skirt	D, DS, LS, W	2A-16
SC34	Jam nut receptacle	D, DS, LS, W	2A-17
SC34SV	Jam nut receptacle with integrated backshell	D, DS, LS, W	2A-18
SC36	Straight plug	D, DS, KS, KT, LS, W	2A-19
SC36SV	Straight plug with integrated backshell	D, DS, KS, KT, LS, W	2A-20
SC37	Straight plug with self-locking coupling nut	D, DS, KS, KT, LS, W	2A-19
SC37SV	Straight plug with self-locking coupling nut with integrated backshell	D, DS, KS, KT, LS, W	2A-20
SC38	90° plug	D, DS, LS, W	2A-21
SC39	45° plug	D, DS, LS, W	2A-22

**TABLE II. SERVICE CLASS/SHELL MATERIAL**

CLASS	MATERIAL	FINISH	APPLICATION	TEMPERATURE	FLUID RESISTANCE
D	Wrought aluminum	Cadmium olive drab, 500 hr	High shock	-55 + 175° C	Partial
DS	Stainless	Cadmium, black	High shock	-55 + 175° C	Partial
KS	Stainless	Passivated	Firewall	-55 + 175° C	Complete
KT	Carbon steel	Cadmium olive drab, 96 hr	Firewall	-55 + 175° C	Complete
LS	Stainless	Passivated	High temperature	-55 + 200° C	Complete
W	Aluminum	Cadmium olive drab, 96 hr	General purpose	-55 + 175° C	Complete

# MIL-C-5015 SERIES II

## CRIMP, FRONT RELEASE CONTACTS

**TABLE III. INSERT & CONTACT INFORMATION**

INSERT NUMBER	CONTACTS			CONTACT PART NUMBER			
	TOTAL	QTY	SIZE	PIN		SOCKET	
				STYLE D	STYLE P	STYLE E	STYLE S
8S-1	1	1	16	M39029/44-287	M39029/44-288	M39029/45-294	M39029/45-295
10S-2	1	1	16	M39029/44-287	M39029/44-288	M39029/45-294	M39029/45-295
10SL-3	3	3	16	M39029/44-287	M39029/44-288	M39029/45-294	M39029/45-295
10SL-4	2	2	16	M39029/44-287	M39029/44-288	M39029/45-294	M39029/45-295
12-5	1	1	12	M39029/44-289	M39029/44-290	M39029/45-296	M39029/45-297
12S-1	2	2	16	M39029/44-287	M39029/44-288	M39029/45-294	M39029/45-295
12S-2	2	2	16	M39029/44-287	M39029/44-288	M39029/45-294	M39029/45-295
12S-3	2	2	16	M39029/44-287	M39029/44-288	M39029/45-294	M39029/45-295
12S-4	1	1	16	M39029/44-287	M39029/44-288	M39029/45-294	M39029/45-295
14-3	1	1	8	-	M39029/44-291	-	M39029/45-298
14S-1	3	3	16	M39029/44-287	M39029/44-288	M39029/45-294	M39029/45-295
14S-2	4	4	16	M39029/44-287	M39029/44-288	M39029/45-294	M39029/45-295
14S-4	1	1	16	M39029/44-287	M39029/44-288	M39029/45-294	M39029/45-295
14S-5	5	5	16	M39029/44-287	M39029/44-288	M39029/45-294	M39029/45-295
14S-6	6	6	16	M39029/44-287	M39029/44-288	M39029/45-294	M39029/45-295
14S-7	3	3	16	M39029/44-287	M39029/44-288	M39029/45-294	M39029/45-295
14S-9	2	2	16	M39029/44-287	M39029/44-288	M39029/45-294	M39029/45-295
14S-10	4	4	16	M39029/44-287	M39029/44-288	M39029/45-294	M39029/45-295
14S-11	4	4	16	M39029/44-287	M39029/44-288	M39029/45-294	M39029/45-295
14S-12	3	3	16	M39029/44-287	M39029/44-288	M39029/45-294	M39029/45-295
14S-13	3	3	16	M39029/44-287	M39029/44-288	M39029/45-294	M39029/45-295
14S-14	4	4	16	M39029/44-287	M39029/44-288	M39029/45-294	M39029/45-295
16-2	1	1	12	M39029/44-298	M39029/44-290	M39029/45-296	M39029/45-297
16-7	3	2 1	16 8	-	M39029/44-288 M39029/44-291	-	M39029/45-295 M39029/45-298
16-9	4	2 2	16 12	M39029/44-287 M39029/44-289	M39029/44-288 M39029/44-290	M39029/45-294 M39029/45-296	M39029/45-295 M39029/45-297
16-10	3	3	12	M39029/44-289	M39029/44-290	M39029/45-296	M39029/45-297
16-11	2	2	12	M39029/44-289	M39029/44-290	M39029/45-296	M39029/45-297
16-12	1	1	4	-	M39029/44-292	-	M39029/45-299
16S-1	7	7	16	M39029/44-287	M39029/44-288	M39029/45-294	M39029/45-295
16S-3	1	1	16	M39029/44-287	M39029/44-288	M39029/45-294	M39029/45-295
16S-4	2	2	16	M39029/44-287	M39029/44-288	M39029/45-294	M39029/45-295
16S-5	3	3	16	M39029/44-287	M39029/44-288	M39029/45-294	M39029/45-295
16S-6	3	3	16	M39029/44-287	M39029/44-288	M39029/45-294	M39029/45-295
16S-8	5	5	16	M39029/44-287	M39029/44-288	M39029/45-294	M39029/45-295
16S-14	3	3	16	M39029/44-287	M39029/44-288	M39029/45-294	M39029/45-295
16S-15	2	2	16	M39029/44-287	M39029/44-288	M39029/45-294	M39029/45-295
16S-16	2	2	16	M39029/44-287	M39029/44-288	M39029/45-294	M39029/45-295
16S-17	3	3	16	M39029/44-287	M39029/44-288	M39029/45-294	M39029/45-295
18-1	10	10	16	M39029/44-287	M39029/44-288	M39029/45-294	M39029/45-295
18-2	3	3	16	M39029/44-287	M39029/44-288	M39029/45-294	M39029/45-295
18-3	2	2	12	M39029/44-289	M39029/44-290	M39029/45-296	M39029/45-297
18-4	4	4	16	M39029/44-287	M39029/44-288	M39029/45-294	M39029/45-295
18-5	3	1 2	16 12	M39029/44-287 M39029/44-289	M39029/44-288 M39029/44-290	M39029/45-294 M39029/45-296	M39029/45-295 M39029/45-297
18-6	1	1	4	-	M39029/44-292	-	M39029/45-299
18-7	1	1	8	-	M39029/44-291	-	M39029/45-298
18-8	8	7 1	16 12	M39029/44-287 M39029/44-289	M39029/44-288 M39029/44-290	M39029/45-294 M39029/45-296	M39029/45-295 M39029/45-297
18-9	7	5 2	16 12	M39029/44-287 M39029/44-289	M39029/44-288 M39029/44-290	M39029/45-294 M39029/45-296	M39029/45-295 M39029/45-297
18-10	4	4	12	M39029/44-289	M39029/44-290	M39029/45-296	M39029/45-297

continued on next page

# MIL-C-5015 SERIES II

## CRIMP, FRONT RELEASE CONTACTS

TABLE III. INSERT & CONTACT INFORMATION (cont.)

INSERT NUMBER	CONTACTS			CONTACT PART NUMBER			
	TOTAL	QTY	SIZE	PIN		SOCKET	
				STYLE D	STYLE P	STYLE E	STYLE S
18-11	5	5	12	M39029/44-289	M39029/44-290	M39029/45-296	M39029/45-297
18-12	6	6	16	M39029/44-287	M39029/44-288	M39029/45-294	M39029/45-295
18-13	4	3 1	12 8	-	M39029/44-290 M39029/44-291	-	M39029/45-297 M39029/45-298
18-14	2	1 1	16 4	-	M39029/44-288 M39029/44-292	-	M39029/45-295 M39029/45-299
18-17	7	5 2	16 12	M39029/44-287 M39029/44-289	M39029/44-288 M39029/44-290	M39029/45-294 M39029/45-296	M39029/45-295 M39029/45-297
18-18		5	16	M39029/44-287	M39029/44-288	M39029/45-294	M39029/45-295
	7	2	12	M39029/44-289	M39029/44-290	M39029/45-296	M39029/45-297
18-19	10	10	16	M39029/44-287	M39029/44-288	M39029/45-294	M39029/45-295
18-20	5	5	16	M39029/44-287	M39029/44-288	M39029/45-294	M39029/45-295
18-21	3	3	12	M39029/44-289	M39029/44-290	M39029/45-296	M39029/45-297
18-22	3	3	16	M39029/44-287	M39029/44-288	M39029/45-294	M39029/45-295
18-23	10	10	16	M39029/44-287	M39029/44-288	M39029/45-294	M39029/45-295
18-24	10	10	16	M39029/44-287	M39029/44-288	M39029/45-294	M39029/45-295
18-25	2	2	12	M39029/44-289	M39029/44-290	M39029/45-296	M39029/45-297
18-26	2	2	12	M39029/44-289	M39029/44-290	M39029/45-296	M39029/45-297
18-27	3	1 2	16 12	M39029/44-287 M39029/44-289	M39029/44-288 M39029/44-290	M39029/45-294 M39029/45-296	M39029/45-295 M39029/45-297
18-28	3	1 2	16 12	M39029/44-287 M39029/44-289	M39029/44-288 M39029/44-290	M39029/45-294 M39029/45-296	M39029/45-295 M39029/45-297
18-29	5	5	16	M39029/44-287	M39029/44-288	M39029/45-294	M39029/45-295
18-30	5	5	16	M39029/44-287	M39029/44-288	M39029/45-294	M39029/45-295
18-31	5	5	16	M39029/44-287	M39029/44-288	M39029/45-294	M39029/45-295
20-1	14	14	16	M39029/44-287	M39029/44-288	M39029/45-294	M39029/45-295
20-2	1	1	1/0	-	M39029/44-293	-	M39029/45-300
20-3	3	3	12	M39029/44-289	M39029/44-290	M39029/45-296	M39029/45-297
20-4	4	4	12	M39029/44-289	M39029/44-290	M39029/45-296	M39029/45-297
20-5	2	2	16	M39029/44-287	M39029/44-288	M39029/45-294	M39029/45-295
20-6	3	3	16	M39029/44-287	M39029/44-288	M39029/45-294	M39029/45-295
20-7	8	8	16	M39029/44-287	M39029/44-288	M39029/45-294	M39029/45-295
20-8	6	4 2	16 8	-	M39029/44-288 M39029/44-291	-	M39029/45-295 M39029/45-298
20-9	8	7 1	16 12	M39029/44-287 M39029/44-289	M39029/44-288 M39029/44-290	M39029/45-294 M39029/45-296	M39029/45-295 M39029/45-297
20-10	4	4	16	M39029/44-287	M39029/44-288	M39029/45-294	M39029/45-295
20-11	13	13	16	M39029/44-287	M39029/44-288	M39029/45-294	M39029/45-295
20-12	2	1 1	16 4	-	M39029/44-288 M39029/44-292	-	M39029/45-295 M39029/45-299
20-13	4	4	16	M39029/44-287	M39029/44-288	M39029/45-294	M39029/45-295
20-14	5	3 2	12 8	-	M39029/44-290 M39029/44-291	-	M39029/45-297 M39029/45-298
20-15	7	7	12	M39029/44-289	M39029/44-290	M39029/45-296	M39029/45-297
20-16	9	7 2	16 12	M39029/44-287 M39029/44-289	M39029/44-288 M39029/44-290	M39029/45-294 M39029/45-296	M39029/45-295 M39029/45-297
20-17	6	1 5	16 12	M39029/44-287 M39029/44-289	M39029/44-288 M39029/44-290	M39029/45-294 M39029/45-296	M39029/45-295 M39029/45-297
20-18	9	6 3	16 12	M39029/44-287 M39029/44-289	M39029/44-288 M39029/44-290	M39029/45-294 M39029/45-296	M39029/45-295 M39029/45-297
20-19	3	3	8	-	M39029/44-291	-	M39029/45-298
20-20	4	3 1	12 4	-	M39029/44-290 M39029/44-292	-	M39029/45-297 M39029/45-299
20-21	9	8 1	16 12	M39029/44-287 M39029/44-289	M39029/44-288 M39029/44-290	M39029/45-294 M39029/45-296	M39029/45-295 M39029/45-297
20-22	6	3 3	16 8	-	M39029/44-288 M39029/44-291	-	M39029/45-295 M39029/45-298

continued on next page

# MIL-C-5015 SERIES II

## CRIMP, FRONT RELEASE CONTACTS

**TABLE III. INSERT & CONTACT INFORMATION (cont.)**

INSERT NUMBER	CONTACTS			CONTACT PART NUMBER			
	TOTAL	QTY	SIZE	PIN		SOCKET	
				STYLE D	STYLE P	STYLE E	STYLE S
20-23	2	2	8	-	M39029/44-291	-	M39029/45-298
20-24	4	2 2	16 8	-	M39029/44-288 M39029/44-291	-	M39029/45-295 M39029/45-298
20-25	13	13	16	M39029/44-287	M39029/44-288	M39029/45-294	M39029/45-295
20-26	3	3	12	M39029/44-289	M39029/44-290	M39029/45-296	M39029/45-297
20-27	14	14	16	M39029/44-287	M39029/44-288	M39029/45-294	M39029/45-295
20-29	17	17	16	M39029/44-287	M39029/44-288	M39029/45-294	M39029/45-295
20-30	13	13	16	M39029/44-287	M39029/44-288	M39029/45-294	M39029/45-295
20-31	11	11	16	M39029/44-287	M39029/44-288	M39029/45-294	M39029/45-295
20-32	8	8	16	M39029/44-287	M39029/44-288	M39029/45-294	M39029/45-295
20-33	11	11	16	M39029/44-287	M39029/44-288	M39029/45-294	M39029/45-295
22-1	2	2	8	-	M39029/44-291	-	M39029/45-298
22-2	3	3	8	-	M39029/44-291	-	M39029/45-298
22-3	2	1 1	16 4	-	M39029/44-288 M39029/44-292	-	M39029/45-295 M39029/45-299
22-4	4	2 2	12 8	-	M39029/44-290 M39029/44-291	-	M39029/45-297 M39029/45-298
22-5	6	4 2	16 12	M39029/44-287 M39029/44-289	M39029/44-288 M39029/44-290	M39029/45-294 M39029/45-296	M39029/45-295 M39029/45-297
22-6	3	1 2	16 8	-	M39029/44-288 M39029/44-291	-	M39029/45-295 M39029/45-298
22-7	1	1	1/0	-	M39029/44-293	-	M39029/45-300
22-8	2	2	12	M39029/44-289	M39029/44-290	M39029/45-296	M39029/45-297
22-9	3	3	12	M39029/44-289	M39029/44-290	M39029/45-296	M39029/45-297
22-10	4	4	16	M39029/44-287	M39029/44-288	M39029/45-294	M39029/45-295
22-11	2	2	16	M39029/44-287	M39029/44-288	M39029/45-294	M39029/45-295
22-12	5	3 2	16 8	-	M39029/44-288 M39029/44-291	-	M39029/45-295 M39029/45-298
22-13	5	1 4	16 12	M39029/44-287 M39029/44-289	M39029/44-288 M39029/44-290	M39029/45-294 M39029/45-296	M39029/45-295 M39029/45-297
22-14	19	19	16	M39029/44-287	M39029/44-288	M39029/45-294	M39029/45-295
22-15	6	1 5	16 12	M39029/44-287 M39029/44-289	M39029/44-288 M39029/44-290	M39029/45-294 M39029/45-296	M39029/45-295 M39029/45-297
22-16	9	6 3	16 12	M39029/44-287 M39029/44-289	M39029/44-288 M39029/44-290	M39029/45-296 M39029/45-296	M39029/45-295 M39029/45-297
22-17	9	8 1	16 12	M39029/44-287 M39029/44-289	M39029/44-288 M39029/44-290	M39029/45-294 M39029/45-296	M39029/45-295 M39029/45-297
22-18	8	8	16	M39029/44-287	M39029/44-288	M39029/45-294	M39029/45-295
22-19	14	14	16	M39029/44-287	M39029/44-288	M39029/45-294	M39029/45-295
22-20	9	9	16	M39029/44-287	M39029/44-288	M39029/45-294	M39029/45-295
22-21	3	2 1	16 1/0	-	M39029/44-288 M39029/44-293	-	M39029/45-295 M39029/45-300
22-22	4	4	8	-	M39029/44-291	-	M39029/45-298
22-23	8	8	12	M39029/44-289	M39029/44-290	M39029/45-296	M39029/45-297
22-24	6	1 5	16 12	M39029/44-287 M39029/44-289	M39029/44-288 M39029/44-290	M39029/45-294 M39029/45-296	M39029/45-295 M39029/45-297
22-25	3	2 1	16 1/0	-	M39029/44-288 M39029/44-293	-	M39029/45-295 M39029/45-300
22-26	7	5 2	16 12	M39029/44-287 M39029/44-289	M39029/44-288 M39029/44-290	M39029/45-294 M39029/45-296	M39029/45-295 M39029/45-297
22-27	9	8 1	16 8	-	M39029/44-288 M39029/44-291	-	M39029/45-295 M39029/45-298
22-28	7	7	12	M39029/44-289	M39029/44-290	M39029/45-296	M39029/45-297
22-29	7	6 1	16 4	-	M39029/44-288 M39029/44-292	-	M39029/45-295 M39029/45-299
22-30	19	19	16	M39029/44-287	M39029/44-288	M39029/45-294	M39029/45-295
22-31	2	2	16	M39029/44-287	M39029/44-288	M39029/45-294	M39029/45-295

continued on next page

# MIL-C-5015 SERIES II

## CRIMP, FRONT RELEASE CONTACTS

TABLE III. INSERT & CONTACT INFORMATION (cont.)

INSERT NUMBER	CONTACTS			CONTACT PART NUMBER			
	TOTAL	QTY	SIZE	PIN		SOCKET	
				STYLE D	STYLE P	STYLE E	STYLE S
22-32	6	4	16	M39029/44-287	M39029/44-288	M39029/45-294	M39029/45-295
		2	12	M39029/44-289	M39029/44-290	M39029/45-296	M39029/45-297
22-33	7	7	16	M39029/44-287	M39029/44-288	M39029/45-294	M39029/45-295
22-34	5	2	16	M39029/44-287	M39029/44-288	M39029/45-294	M39029/45-295
		3	12	M39029/44-289	M39029/44-290	M39029/45-296	M39029/45-297
22-35	3	3	8	–	M39029/44-291	–	M39029/45-298
24-1	2	1	12	–	M39029/44-290	–	M39029/45-297
		1	1/0	–	M39029/44-293	–	M39029/45-300
24-2	7	7	12	M39029/44-289	M39029/44-290	M39029/45-296	M39029/45-297
24-3	7	5	16	M39029/44-287	M39029/44-288	M39029/45-294	M39029/45-295
24-4	4	3	12	–	M39029/44-290	–	M39029/45-297
		1	1/0	–	M39029/44-293	–	M39029/45-300
24-5	16	16	16	M39029/44-287	M39029/44-288	M39029/45-294	M39029/45-295
24-6	8	8	12	M39029/44-289	M39029/44-290	M39029/45-296	M39029/45-297
24-7	16	14	16	M39029/44-287	M39029/44-288	M39029/45-294	M39029/45-295
		2	12	M39029/44-289	M39029/44-290	M39029/45-296	M39029/45-297
24-9	2	2	4	–	M39029/44-292	–	M39029/45-299
24-10	7	7	8	–	M39029/44-291	–	M39029/45-298
24-11	9	6	12	–	M39029/44-290	–	M39029/45-297
		3	8	–	M39029/44-291	–	M39029/45-298
24-12	5	3	12	–	M39029/44-290	–	M39029/45-297
		2	4	–	M39029/44-292	–	M39029/45-299
24-14	3	2	12	–	M39029/44-290	–	M39029/45-297
		1	1/0	–	M39029/44-293	–	M39029/45-300
24-15	16	16	16	M39029/44-287	M39029/44-288	M39029/45-294	M39029/45-295
24-16	7	3	16	–	M39029/44-288	–	M39029/45-295
		3	12	–	M39029/44-290	–	M39029/45-297
		1	8	–	M39029/44-291	–	M39029/45-298
24-17	5	3	16	M39029/44-287	M39029/44-288	M39029/45-294	M39029/45-295
		2	12	M39029/44-289	M39029/44-290	M39029/45-296	M39029/45-297
24-19	12	12	16	M39029/44-287	M39029/44-288	M39029/45-294	M39029/45-295
24-20	11	9	16	M39029/44-287	M39029/44-288	M39029/45-294	M39029/45-295
		2	12	M39029/44-289	M39029/44-290	M39029/45-296	M39029/45-297
24-21	10	9	16	–	M39029/44-288	–	M39029/45-295
		1	8	–	M39029/44-291	–	M39029/45-298
24-22	4	4	8	–	M39029/44-291	–	M39029/45-298
24-23	5	2	16	–	M39029/44-288	–	M39029/45-295
		3	8	–	M39029/44-291	–	M39029/45-298
24-24	16	16	16	M39029/44-287	M39029/44-288	M39029/45-294	M39029/45-295
24-25	8	8	12	M39029/44-289	M39029/44-290	M39029/45-296	M39029/45-297
24-26	8	8	12	M39029/44-289	M39029/44-290	M39029/45-296	M39029/45-297
24-27	7	7	16	M39029/44-287	M39029/44-288	M39029/45-294	M39029/45-295
24-28	24	24	16	M39029/44-287	M39029/44-288	M39029/45-294	M39029/45-295
24-80	23	23	16	M39029/44-287	M39029/44-288	M39029/45-294	M39029/45-295
28-1	9	6	12	–	M39029/44-290	–	M39029/45-297
		3	8	–	M39029/44-291	–	M39029/45-298
28-2	14	12	16	M39029/44-287	M39029/44-288	M39029/45-294	M39029/45-295
28-3	3	3	8	–	M39029/44-291	–	M39029/45-298
28-4	9	7	16	M39029/44-287	M39029/44-288	M39029/45-294	M39029/45-295
		2	12	M39029/44-289	M39029/44-290	M39029/45-296	M39029/45-297
28-5	5	2	16	–	M39029/44-288	–	M39029/45-295
		1	12	–	M39029/44-290	–	M39029/45-297
		2	4	–	M39029/44-292	–	M39029/45-299
28-6	3	3	4	–	M39029/44-292	–	M39029/45-299
28-7	2	2	4	–	M39029/44-292	–	M39029/45-299
28-8	12	10	16	M39029/44-287	M39029/44-288	M39029/45-294	M39029/45-295
		2	12	M39029/44-289	M39029/44-290	M39029/45-296	M39029/45-297

continued on next page

# MIL-C-5015 SERIES II

## CRIMP, FRONT RELEASE CONTACTS

**TABLE III. INSERT & CONTACT INFORMATION (cont.)**

INSERT NUMBER	CONTACTS			CONTACT PART NUMBER			
	TOTAL	QTY	SIZE	PIN		SOCKET	
				STYLE D	STYLE P	STYLE E	STYLE S
28-9	12	6	16	M39029/44-287	M39029/44-288	M39029/45-294	M39029/45-295
		6	12	M39029/44-289	M39029/44-290	M39029/45-296	M39029/45-297
28-10	7	3	12	-	M39029/44-290	-	M39029/45-297
		2	8		M39029/44-291		M39029/45-298
		2	4		M39029/44-292		M39029/45-299
28-11	22	18	16	M39029/44-287	M39029/44-288	M39029/45-294	M39029/45-295
		4	12	M39029/44-289	M39029/44-290	M39029/45-296	M39029/45-297
28-12	26	26	16	M39029/44-287	M39029/44-288	M39029/45-294	M39029/45-295
28-13	26	26	16	M39029/44-287	M39029/44-288	M39029/45-294	M39029/45-295
28-14	11	11	16	M39029/44-287	M39029/44-288	M39029/45-294	M39029/45-295
28-15	35	35	16	M39029/44-287	M39029/44-288	M39029/45-294	M39029/45-295
28-16	20	20	16	M39029/44-287	M39029/44-288	M39029/45-294	M39029/45-295
28-17	15	15	16	M39029/44-287	M39029/44-288	M39029/45-294	M39029/45-295
28-18	12	12	16	M39029/44-287	M39029/44-288	M39029/45-294	M39029/45-295
28-19	10	6	16	M39029/44-287	M39029/44-288	M39029/45-294	M39029/45-295
		4	12	M39029/44-289	M39029/44-290	M39029/45-296	M39029/45-297
28-20	14	4	16	M39029/44-287	M39029/44-288	M39029/45-294	M39029/45-295
		10	12	M39029/44-289	M39029/44-290	M39029/45-296	M39029/45-297
28-21	37	37	16	M39029/44-287	M39029/44-288	M39029/45-294	M39029/45-295
28-22	6	3	16	-	M39029/44-288	-	M39029/45-295
		3	4		M39029/44-292		M39029/45-299
28-23	24	21	16	-	M39029/44-288	-	M39029/45-295
		3	8S*		Mfr Supplied		Mfr Supplied
28-24	24	21	16	-	M39029/44-288	-	M39029/45-295
		3	8S*		Mfr Supplied		Mfr Supplied
32-1	5	3	12	-	M39029/44-290	-	M39029/45-297
		2	1/0		M39029/44-293		M39029/45-300
32-2	5	2	16	-	M39029/44-288	-	M39029/45-295
		3	4		M39029/44-292		M39029/45-299
32-3	9	4	16	-	M39029/44-288	-	M39029/45-295
		2	12		M39029/44-290		M39029/45-297
		2	4		M39029/44-292		M39029/45-299
		1	1/0		M39029/44-293		M39029/45-300
32-4	14	12	16	M39029/44-287	M39029/44-288	M39029/45-294	M39029/45-295
		2	12	M39029/44-289	M39029/44-290	M39029/45-296	M39029/45-297
32-5	2	2	1/0	-	M39029/44-293	-	M39029/45-300
32-6	23	16	16	-	M39029/44-288	-	M39029/45-295
		2	12		M39029/44-290		M39029/45-297
		3	8		M39029/44-291		M39029/45-298
		2	4		M39029/44-292		M39029/45-299
32-7	35	28	16	M39029/44-287	M39029/44-288	M39029/45-294	M39029/45-295
		7	12	M39029/44-289	M39029/44-290	M39029/45-296	M39029/45-297
32-8	30	24	16	M39029/44-287	M39029/44-288	M39029/45-294	M39029/45-295
		6	12	M39029/44-289	M39029/44-290	M39029/45-296	M39029/45-297
32-9	14	12	16	-	M39029/44-288	-	M39029/45-295
		2	4		M39029/44-292		M39029/45-299
32-10	7	3	16	-	M39029/44-288	-	M39029/45-295
		2	8		M39029/44-291		M39029/45-298
		2	4		M39029/44-292		M39029/45-299
32-12	15	10	16	M39029/44-287	M39029/44-288	M39029/45-294	M39029/45-295
		5	12	M39029/44-289	M39029/44-290	M39029/45-296	M39029/45-297
32-13	23	18	16	M39029/44-287	M39029/44-288	M39029/45-294	M39029/45-295
		5	12	M39029/44-289	M39029/44-290	M39029/45-296	M39029/45-297
32-14	7	5	12	-	M39029/44-290	-	M39029/45-297
		2	4		M39029/44-293		M39029/45-300
32-15	8	6	12	-	M39029/44-290	-	M39029/45-297
		2	1/0		M39029/44-293		M39029/45-300
32-16	23	16	16	-	M39029/44-288	-	M39029/45-295
		2	12		M39029/44-290		M39029/45-297
		3	8		M39029/44-291		M39029/45-298
		2	4		M39029/44-292		M39029/45-299

continued on next page

# MIL-C-5015 SERIES II

## CRIMP, FRONT RELEASE CONTACTS

TABLE III. INSERT & CONTACT INFORMATION (cont.)

INSERT NUMBER	CONTACTS			CONTACT PART NUMBER			
	TOTAL	QTY	SIZE	PIN		SOCKET	
				STYLE D	STYLE P	STYLE E	STYLE S
32-17	4	4	4	-	M39029/44-292	-	M39029/45-299
32-18	14	12	16	M39029/44-287	M39029/44-288	M39029/45-294	M39029/45-295
		2	12	M39029/44-289	M39029/44-290	M39029/45-296	M39029/45-297
32-19	5	3	12	M39029/44-293	M39029/44-290	M39029/45-300	M39029/45-297
		2	1/0		M39029/44-293		M39029/45-300
32-20	23	16	16	-	M39029/44-288	-	M39029/45-295
		2	12		M39029/44-290		M39029/45-297
		3	8		M39029/44-291		M39029/45-298
		2	4		M39029/44-292		M39029/45-299
32-22	54	54	16	M39029/44-287	M39029/44-288	M39029/45-294	M39029/45-295
32-63	5	5	4	-	M39029/44-292	-	M39029/45-299
32-73	46	46	16	M39029/44-287	M39029/44-288	M39029/45-294	M39029/45-295
36-1	22	18	16	M39029/44-287	M39029/44-288	M39029/45-294	M39029/45-295
		4	12	M39029/44-289	M39029/44-290	M39029/45-296	M39029/45-297
36-2	5	2	12	-	M39029/44-290	-	M39029/45-297
		3	1/0		M39029/44-293		M39029/45-300
36-3	6	3	12	-	M39029/44-290	-	M39029/45-297
		3	1/0		M39029/44-293		M39029/45-300
36-4	3	3	1/0	-	M39029/44-293	-	M39029/45-300
36-5	4	4	1/0	-	M39029/44-293	-	M39029/45-300
36-6	6	4	4	-	M39029/44-292	-	M39029/45-299
36-7	47	40	16	M39029/44-287	M39029/44-288	M39029/45-294	M39029/45-295
		7	12	M39029/44-289	M39029/44-290	M39029/45-296	M39029/45-297
36-8	47	46	16	M39029/44-287	M39029/44-288	M39029/45-294	M39029/45-295
		1	12	M39029/44-289	M39029/44-290	M39029/45-296	M39029/45-297
36-9	31	14	16	-	M39029/44-288	-	M39029/45-295
		14	12		M39029/44-290		M39029/45-297
		2	8		M39029/44-291		M39029/45-298
		1	4		M39029/44-292		M39029/45-299
36-10	48	48	16	M39029/44-287	M39029/44-288	M39029/45-294	M39029/45-295
36-11	48	48	16	M39029/44-287	M39029/44-288	M39029/45-294	M39029/45-295
36-12	48	48	16	M39029/44-287	M39029/44-288	M39029/45-294	M39029/45-295
36-13	17	15	16	M39029/44-287	M39029/44-288	M39029/45-294	M39029/45-295
		2	12	M39029/44-289	M39029/44-290	M39029/45-296	M39029/45-297
36-14	16	6	16	-	M39029/44-288	-	M39029/45-295
		5	12		M39029/44-290		M39029/45-297
		5	8		M39029/44-291		M39029/45-298
36-15	35	35	16	M39029/44-287	M39029/44-288	M39029/45-294	M39029/45-295
36-16	47	40	16	M39029/44-287	M39029/44-288	M39029/45-294	M39029/45-295
		7	12	M39029/44-289	M39029/44-290	M39029/45-296	M39029/45-297
36-17	47	40	16	M39029/44-287	M39029/44-288	M39029/45-294	M39029/45-295
		7	12	M39029/44-289	M39029/44-290	M39029/45-296	M39029/45-297
36-18	31	14	16	-	M39029/44-288	-	M39029/45-295
		14	12		M39029/44-290		M39029/45-297
		2	8		M39029/44-291		M39029/45-298
		1	4		M39029/44-292		M39029/45-299
36-19	17	10	16	-	M39029/44-288	-	M39029/45-295
		5	12		M39029/44-290		M39029/45-297
		1	4		M39029/44-292		M39029/45-299
		1	1/0		M39029/44-293		M39029/45-300
36-20	34	30	16	-	M39029/44-288	-	M39029/45-295
		2	12		M39029/44-290		M39029/45-297
		2	8		M39029/44-291		M39029/45-298
36-21	31	14	16	-	M39029/44-288	-	M39029/45-295
		14	12		M39029/44-290		M39029/45-297
		2	8		M39029/44-291		M39029/45-298
		1	4		M39029/44-292		M39029/45-299

continued on next page

# MIL-C-5015 SERIES II

## CRIMP, FRONT RELEASE CONTACTS

**TABLE III. INSERT & CONTACT INFORMATION (cont.)**

INSERT NUMBER	CONTACTS			CONTACT PART NUMBER			
	TOTAL	QTY	SIZE	PIN		SOCKET	
				STYLE D	STYLE P	STYLE E	STYLE S
36-52	52	50 2	16 1/0	-	M39029/44-288 M39029/44-293	-	M39029/45-295 M39029/45-300
36-66	56	52 4	16 12	M39029/44-287 M39029/44-289	M39029/44-288 M39029/44-290	M39029/45-294 M39029/45-296	M39029/45-295 M39029/45-297
40-1	30	24 6	16 12	M39029/44-287 M39029/44-289	M39029/44-288 M39029/44-290	M39029/45-294 M39029/45-296	M39029/45-295 M39029/45-297
40-2	23	23	16	M39029/44-287	M39029/44-288	M39029/45-294	M39029/45-295
40-3	23	18 4 1	16 12 4	-	M39029/44-288 M39029/44-290 M39029/44-292	-	M39029/45-295 M39029/45-297 M39029/45-299
40-4	23	16 2 3 2	16 12 8 4	-	M39029/44-288 M39029/44-290 M39029/44-291 M39029/44-292	-	M39029/45-295 M39029/45-297 M39029/45-298 M39029/45-299
40-5	15	6 4 2 3	12 8 4 1/0	-	M39029/44-290 M39029/44-291 M39029/44-292 M39029/44-293	-	M39029/45-297 M39029/45-298 M39029/45-299 M39029/45-300
40-6	26	24 1 1	16 12 1/0	-	M39029/44-288 M39029/44-290 M39029/44-293	-	M39029/45-295 M39029/45-297 M39029/45-300
40-7	22	18 2 2	16 12 1/0	-	M39029/44-288 M39029/44-290 M39029/44-293	-	M39029/45-295 M39029/45-297 M39029/45-300
40-9	47	24 22 1	16 12 8	-	M39029/44-288 M39029/44-290 M39029/44-291	-	M39029/45-295 M39029/45-297 M39029/45-298
40-10	29	16 9 4	16 8 4	-	M39029/44-288 M39029/44-291 M39029/44-292	-	M39029/45-295 M39029/45-298 M39029/45-299
40-11	25	18 4 1 1 1	16 12 8 4 1/0	-	M39029/44-288 M39029/44-290 M39029/44-291 M39029/44-292 M39029/44-293	-	M39029/45-295 M39029/45-297 M39029/45-298 M39029/45-299 M39029/45-300
40-12	29	22 6 1	16 12 1/0	-	M39029/44-288 M39029/44-290 M39029/44-293	-	M39029/45-295 M39029/45-297 M39029/45-300
40-13	23	23	16	M39029/44-287	M39029/44-288	M39029/45-294	M39029/45-295
40-14	32	21 10 1	16 12 1/0	-	M39029/44-288 M39029/44-290 M39029/44-293	-	M39029/45-295 M39029/45-297 M39029/45-300
40-56	85	85	16	M39029/44-287	M39029/44-288	M39029/45-294	M39029/45-295
40-62	60	60	16	M39029/44-287	M39029/44-288	M39029/45-294	M39029/45-295
44-1	42	36 6	16 12	M39029/44-287 M39029/44-289	M39029/44-288 M39029/44-290	M39029/45-294 M39029/45-296	M39029/45-295 M39029/45-297
44-2	31	14 14 2 1	16 12 8 4	-	M39029/44-288 M39029/44-290 M39029/44-291 M39029/44-292	-	M39029/45-295 M39029/45-297 M39029/45-298 M39029/45-299
44-3	31	24 3 2 2	16 12 8 4	-	M39029/44-288 M39029/44-290 M39029/44-291 M39029/44-292	-	M39029/45-295 M39029/45-297 M39029/45-298 M39029/45-299
44-4	41	31 8 2	16 12 1/0	-	M39029/44-288 M39029/44-290 M39029/44-293	-	M39029/45-295 M39029/45-297 M39029/45-300
44-5	42	36 6	16 12	M39029/44-287 M39029/44-289	M39029/44-288 M39029/44-290	M39029/45-294 M39029/45-296	M39029/45-295 M39029/45-297
44-6	42	36 6	16 12	M39029/44-287 M39029/44-289	M39029/44-288 M39029/44-290	M39029/45-294 M39029/45-296	M39029/45-295 M39029/45-297

continued on next page

# MIL-C-5015 SERIES II

## CRIMP, FRONT RELEASE CONTACTS

TABLE III. INSERT & CONTACT INFORMATION (cont.)

INSERT NUMBER	CONTACTS			CONTACT PART NUMBER			
	TOTAL	QTY	SIZE	PIN		SOCKET	
				STYLE D	STYLE P	STYLE E	STYLE S
44-52	104	104	16	M39029/44-287	M39029/44-288	M39029/45-294	M39029/45-295
48-1	15	6 4 2 3	12 8 4 1/0	-	M39029/44-290 M39029/44-291 M39029/44-292 M39029/44-293	-	M39029/45-297 M39029/45-298 M39029/45-299 M39029/45-300
48-2	47	46 1	16 12	M39029/44-287 M39029/44-289	M39029/44-288 M39029/44-290	M39029/45-294 M39029/45-296	M39029/45-295 M39029/45-297
48-3	25	18 1 3 3	16 12 8 1/0	-	M39029/44-288 M39029/44-290 M39029/44-291 M39029/44-293	-	M39029/45-295 M39029/45-297 M39029/45-298 M39029/45-300
48-4	68	47 16 3 2	16 12 8 1/0	-	M39029/44-288 M39029/44-290 M39029/44-291 M39029/44-293	-	M39029/45-295 M39029/45-297 M39029/45-298 M39029/45-300
48-5	100	90 9 1	16 12 8	-	M39029/44-288 M39029/44-290 M39029/44-291	-	M39029/45-295 M39029/45-297 M39029/45-298
48-62	85	85	16	M39029/44-287	M39029/44-288	M39029/45-294	M39029/45-295

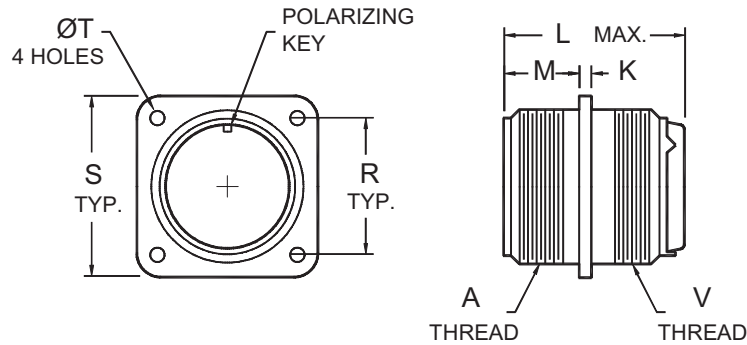
TABLE IV. TOOLING

CONTACT PART NUMBER (REFERENCE)	INSERTION TOOL	REMOVAL TOOL	WIRE SIZE	TOOL FRAME		POSITIONER/LOCATOR		CRIMP DIE	
				PART NUMBER	SETTING	PART NUMBER	COLOR	PART NUMBER	CAVITY
M39029/44-287	M81969/17-09	M81969/19-01	22-24	M22520/1-01	-	M22520/1-02	Blue	-	-
M39029/44-288	M81969/17-01	M81969/19-01	16-20	M22520/1-01	-	M22520/1-02	Blue	-	-
M39029/44-289	M81969/17-02	M81969/19-02	16-20	M22520/1-01	-	M22520/1-02	Yellow	-	-
M39029/44-290	M81969/17-02	M81969/19-02	12-14	M22520/1-01	-	M22520/1-02	Yellow	-	-
M39029/44-291	M81969/17-06	M81969/19-03	8	M22520/23-01	-	M22520/23-09	-	M22520/23-02	-
M39029/44-292	M81969/17-07	M81969/19-04	4	M22520/23-01	-	M22520/23-11	-	M22520/23-04	-
M39029/44-293	M81969/17-08	M81969/19-05	1/0	M22520/23-01	-	M22520/23-13	-	M22520/23-05	-
M39029/45-294	M81969/17-09	M81969/19-01	22-24	M22520/1-01	-	M22520/1-02	Blue	-	-
M39029/45-295	M81969/17-01	M81969/19-01	16-20	M22520/1-01	-	M22520/1-02	Blue	-	-
M39029/45-296	M81969/17-02	M81969/19-02	16-20	M22520/1-01	-	M22520/1-02	Yellow	-	-
M39029/45-297	M81969/17-02	M81969/19-02	12-14	M22520/1-01	-	M22520/1-02	Yellow	-	-
M39029/45-298	M81969/17-06	M81969/19-03	8	M22520/23-01	-	M22520/23-09	-	M22520/23-02	-
M39029/45-299	M81969/17-07	M81969/19-04	4	M22520/23-01	-	M22520/23-11	-	M22520/23-04	-
M39029/45-300	M81969/17-08	M81969/19-05	1/0	M22520/23-01	-	M22520/23-13	-	M22520/23-05	-

# CRIMP, FRONT RELEASE CONTACTS **WALL MOUNT RECEPTACLE**

## SC30

2A



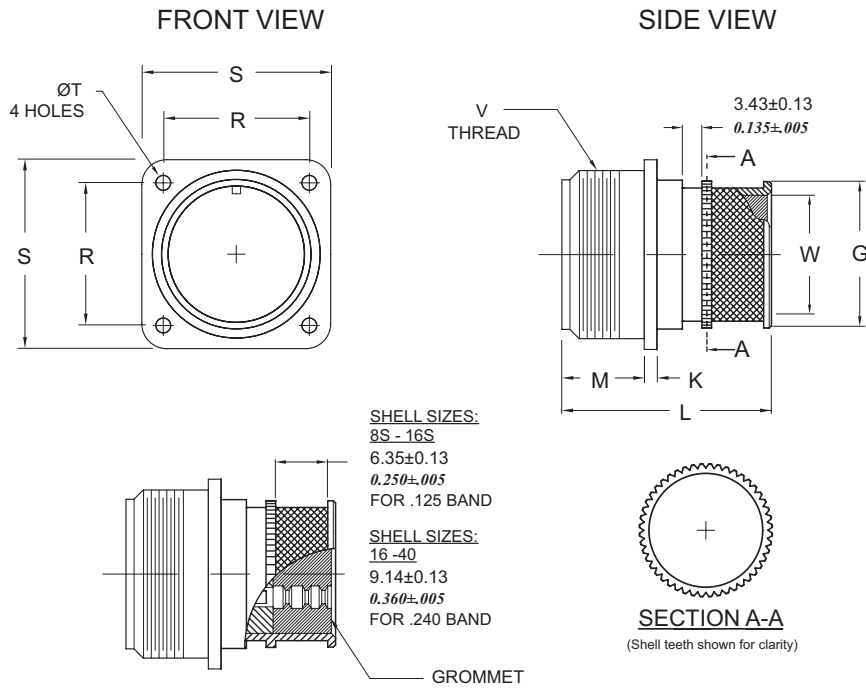
**SC30\* Environmental**

SHELL SIZE	A COUPLING THREAD CLASS 2A	K ±.015 [±0.38]	L MAX.		M +.031 -.000 [+0.79] [-0.00]	R T.P. C <sub>L</sub> - C <sub>L</sub>	S ±.031 [±0.79]	T +.010 -.005 [+0.25] [-0.13]		V ACCESSORY THREAD CLASS 2A
			CONTACT SIZE					CLASS		
			16 & 12	8,4 & 0				K	D,L,U,W	
8S	1/2-28 UNEF	.083 [2.11]	2.031 [51.59]	-	.562 [14.27]	.594 [15.09]	.875 [22.22]	.150 [3.81]	.120 [3.05]	1/2-20 UNF
10S	5/8-24 UNEF	.083 [2.11]	2.031 [51.59]	-	.562 [14.27]	.719 [18.26]	1.000 [25.40]	.150 [3.81]	.120 [3.05]	5/8-24 UNEF
10SL	5/8-24 UNEF	.083 [2.11]	2.031 [51.59]	-	.562 [14.27]	.719 [18.26]	1.000 [25.40]	.150 [3.81]	.120 [3.05]	5/8-24 UNEF
12S	3/4-20 UNEF	.083 [2.11]	2.031 [51.59]	-	.562 [14.27]	.812 [20.62]	1.094 [27.79]	.150 [3.81]	.120 [3.05]	3/4-20 UNEF
12	3/4-20 UNEF	.083 [2.11]	2.125 [53.97]	-	.750 [19.05]	.812 [20.62]	1.094 [27.79]	.150 [3.81]	.120 [3.05]	3/4-20 UNEF
14S	7/8-20 UNEF	.083 [2.11]	2.031 [51.59]	-	.562 [14.27]	.906 [23.01]	1.188 [30.18]	.150 [3.81]	.120 [3.05]	7/8-20 UNEF
14	7/8-20 UNEF	.083 [2.11]	2.125 [53.97]	-	.750 [19.05]	.906 [23.01]	1.188 [30.18]	.150 [3.81]	.120 [3.05]	7/8-20 UNEF
16S	1-20 UNEF	.083 [2.11]	2.031 [51.59]	-	.562 [14.27]	.969 [24.61]	1.281 [32.54]	.150 [3.81]	.120 [3.05]	1-20 UNEF
16	1-20 UNEF	.083 [2.11]	2.125 [53.97]	2.500 [63.50]	.750 [19.05]	.969 [24.61]	1.281 [32.54]	.150 [3.81]	.120 [3.05]	1-20 UNEF
18	1 1/8-18 UNEF	.125 [3.17]	2.125 [53.97]	2.500 [63.50]	.750 [19.05]	1.062 [26.97]	1.375 [34.92]	.177 [4.50]	.120 [3.05]	1 1/16-18 UNEF
20	1 1/4-18 UNEF	.125 [3.17]	2.125 [53.97]	2.500 [63.50]	.750 [19.05]	1.156 [29.36]	1.500 [38.10]	.177 [4.50]	.120 [3.05]	1 3/16-18 UNEF
22	1 3/8-18 UNEF	.125 [3.17]	2.125 [53.97]	2.500 [63.50]	.750 [19.05]	1.250 [31.75]	1.625 [41.27]	.177 [4.50]	.120 [3.05]	1 5/16-18 UNEF
24	1 1/2-18 UNEF	.125 [3.17]	2.125 [53.97]	2.500 [63.50]	.812 [20.62]	1.375 [34.92]	1.750 [44.45]	.177 [4.50]	.147 [3.73]	1 7/16-18 UNEF
28	1 3/4-18 UNS	.125 [3.17]	2.125 [53.97]	2.500 [63.50]	.812 [20.62]	1.562 [39.67]	2.000 [50.80]	.177 [4.50]	.147 [3.73]	1 3/4-18 UNS
32	2-18 UNS	.125 [3.17]	2.125 [53.97]	2.500 [63.50]	.875 [22.22]	1.750 [44.45]	2.250 [57.15]	.209 [5.31]	.173 [4.39]	2-18 UNS
36	2 1/4-16 UN	.125 [3.17]	2.125 [53.97]	2.500 [63.50]	.875 [22.22]	1.938 [49.22]	2.500 [63.50]	.209 [5.31]	.173 [4.39]	2 1/4-16 UN
40	2 1/2-16 UN	.125 [3.17]	2.125 [53.97]	2.500 [63.50]	.875 [22.22]	2.188 [55.58]	2.750 [69.85]	.209 [5.31]	.173 [4.39]	2 1/2-16 UN
44	2 3/4-16 UN	.125 [3.17]	2.125 [53.97]	2.500 [63.50]	.875 [22.22]	2.375 [60.32]	3.000 [76.20]	.209 [5.31]	.173 [4.39]	2 3/4-16 UN
48	3-16 UN	.125 [3.17]	2.125 [53.97]	2.500 [63.50]	.875 [22.22]	2.625 [66.67]	3.250 [82.55]	.209 [5.31]	.173 [4.39]	3-16 UN

Dimensions in brackets [ ] are in millimeters.

# WALL MOUNT RECEPTACLE CRIMP, FRONT RELEASE CONTACTS (MS3400)

## SC30SV



### SC30SV\* Environmental

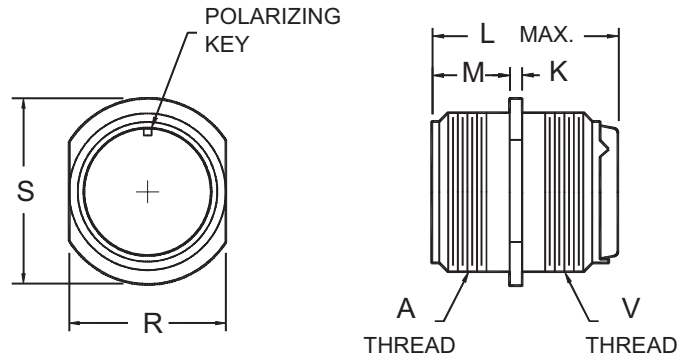
SHELL SIZE	FRONT VIEW				SIDE VIEW					
	R ±.005 [±0.13]	S ±.031 [±0.79]	T +.010 [+0.25] -.005 [-0.13]		G MAX	K ±.015 [±0.38]	L MAX	M +.031 [+0.79] -.000 [-0.00]	W ±.005 [±0.13]	V THREAD CLASS 2A
			CLASS							
			K	D,L,U,W						
8S	0.594 [15.09]	0.875 [22.22]	0.150 [3.81]	0.120 [3.05]	*	0.083 [2.11]	2.031 [51.59]	0.562 [14.27]	*	.500-28 UNEF
10SL	0.719 [18.26]	1.000 [25.40]	0.150 [3.81]	0.120 [3.05]	0.632 [16.1]	0.083 [2.11]	2.031 [51.59]	0.562 [14.27]	0.502 [12.8]	.625-24 UNEF
10S	0.719 [18.26]	1.000 [25.40]	0.150 [3.81]	0.120 [3.05]	0.632 [16.1]	0.083 [2.11]	2.031 [51.59]	0.562 [14.27]	0.502 [12.8]	.625-24 UNEF
12S	0.812 [20.62]	1.094 [27.79]	0.150 [3.81]	0.120 [3.05]	0.755 [19.2]	0.083 [2.11]	2.031 [51.59]	0.562 [14.27]	0.618 [15.7]	.750-20 UNEF
12	0.812 [20.62]	1.094 [27.79]	0.150 [3.81]	0.120 [3.05]	0.755 [19.2]	0.083 [2.11]	2.125 [53.97]	0.750 [19.05]	0.618 [15.7]	.750-20 UNEF
14S	0.906 [23.01]	1.188 [30.18]	0.150 [3.81]	0.120 [3.05]	0.880 [22.4]	0.083 [2.11]	2.031 [51.59]	0.562 [14.27]	0.743 [18.9]	.875-20 UNEF
14	0.906 [23.01]	1.188 [30.18]	0.150 [3.81]	0.120 [3.05]	0.880 [22.4]	0.083 [2.11]	2.125 [53.97]	0.750 [19.05]	0.743 [18.9]	.875-20 UNEF
16S	0.969 [24.61]	1.281 [32.54]	0.150 [3.81]	0.120 [3.05]	1.005 [25.5]	0.083 [2.11]	2.031 [51.59]	0.562 [14.27]	0.868 [22.1]	1.000-20 UNEF
16	0.969 [24.61]	1.281 [32.54]	0.150 [3.81]	0.120 [3.05]	1.005 [25.5]	0.083 [2.11]	2.500 [63.50]	0.750 [19.05]	0.868 [22.1]	1.000-20 UNEF
18	1.062 [26.97]	1.375 [34.92]	0.177 [4.50]	0.120 [3.05]	1.065 [27.1]	0.125 [3.17]	2.500 [63.50]	0.750 [19.05]	0.924 [23.5]	1.125-18 UNEF
20	1.156 [29.36]	1.500 [38.10]	0.177 [4.50]	0.120 [3.05]	1.190 [30.2]	0.125 [3.17]	2.500 [63.50]	0.750 [19.05]	1.049 [26.6]	1.250-18 UNEF
22	1.250 [31.75]	1.625 [41.27]	0.177 [4.50]	0.120 [3.05]	1.315 [33.4]	0.125 [3.17]	2.500 [63.50]	0.750 [19.05]	1.174 [29.8]	1.375-18 UNEF
24	1.375 [34.92]	1.750 [44.45]	0.177 [4.50]	0.147 [3.73]	1.440 [36.6]	0.125 [3.17]	2.500 [63.50]	0.812 [20.62]	1.299 [33.0]	1.500-18 UNEF
28	1.562 [39.67]	2.000 [50.80]	0.177 [4.50]	0.147 [3.73]	1.750 [44.5]	0.125 [3.17]	2.500 [63.50]	0.812 [20.62]	1.520 [38.6]	1.750-18 UNS
32	1.750 [44.45]	2.250 [57.15]	0.209 [5.31]	0.173 [4.39]	2.000 [50.8]	0.125 [3.17]	2.500 [63.50]	0.875 [22.22]	1.770 [45.0]	2.000-18 UNS
36	1.938 [49.23]	2.500 [63.50]	0.209 [5.31]	0.173 [4.39]	2.250 [57.2]	0.125 [3.17]	2.500 [63.50]	0.875 [22.22]	1.985 [50.4]	2.250-16 UN
40	2.188 [55.58]	2.750 [69.85]	0.209 [5.31]	0.173 [4.39]	2.500 [63.5]	0.125 [3.17]	2.500 [63.50]	0.875 [22.22]	2.200 [55.9]	2.500-16 UN

Dimensions in brackets [ ] are in millimeters.

\* Consult Factory

# CRIMP, FRONT RELEASE CONTACTS **IN-LINE RECEPTACLE** SC31

2A



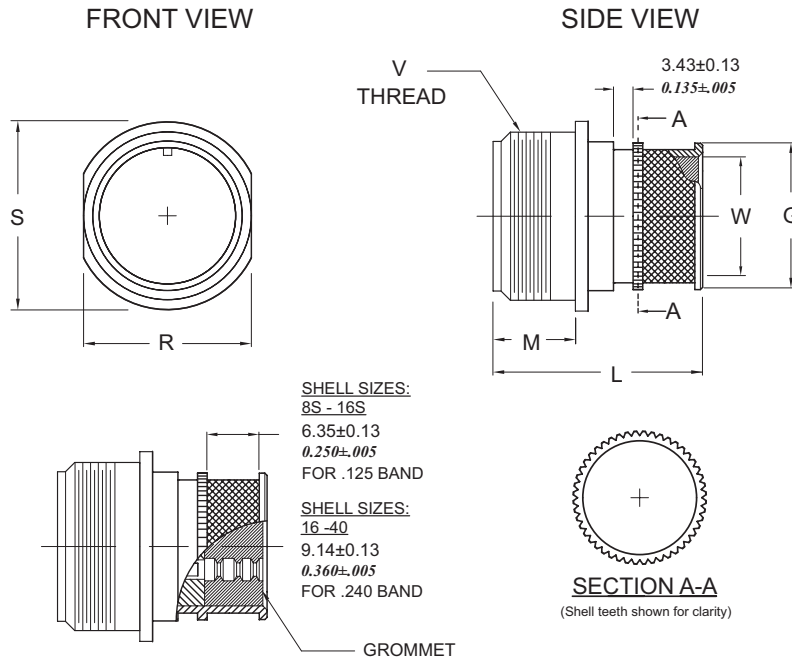
**SC31\* Environmental**

SHELL SIZE	A COUPLING THREAD CLASS 2A	K ±.015 [±0.38]	L MAX.		M +.031 -.000 [+0.79] [-0.00]	R		S ±.031 [±0.79]	V ACCESSORY THREAD CLASS 2A
			CONTACT SIZE			MAX.	MIN.		
			16 & 12	8,4 & 0					
8S	1/2-28 UNEF	.083 [2.11]	2.031 [51.59]	-	.562 [14.27]	.504 [12.80]	.496 [12.60]	.729 [18.52]	1/2-20 UNF
10S	5/8-24 UNEF	.083 [2.11]	2.031 [51.59]	-	.562 [14.27]	.629 [15.98]	.621 [15.77]	.854 [21.69]	5/8-24 UNEF
10SL	5/8-24 UNEF	.083 [2.11]	2.031 [51.59]	-	.562 [14.27]	.629 [15.98]	.621 [15.77]	.854 [21.69]	5/8-24 UNEF
12S	3/4-20 UNEF	.083 [2.11]	2.031 [51.59]	-	.562 [14.27]	.754 [19.15]	.746 [18.95]	.974 [24.74]	3/4-20 UNEF
12	3/4-20 UNEF	.083 [2.11]	2.125 [53.97]	-	.750 [19.05]	.754 [19.15]	.746 [18.95]	.974 [24.74]	3/4-20 UNEF
14S	7/8-20 UNEF	.083 [2.11]	2.031 [51.59]	-	.562 [14.27]	.879 [22.33]	.871 [22.12]	1.099 [27.91]	7/8-20 UNEF
14	7/8-20 UNEF	.083 [2.11]	2.125 [53.97]	-	.750 [19.05]	.879 [22.33]	.871 [22.12]	1.099 [27.91]	7/8-20 UNEF
16S	1-20 UNEF	.083 [2.11]	2.031 [51.59]	-	.562 [14.27]	1.005 [25.53]	.996 [25.30]	1.224 [31.09]	1-20 UNEF
16	1-20 UNEF	.083 [2.11]	2.125 [53.97]	2.500 [63.50]	.750 [19.05]	1.005 [25.53]	.996 [25.30]	1.224 [31.09]	1-20 UNEF
18	1 1/8-18 UNEF	.125 [3.17]	2.125 [53.97]	2.500 [63.50]	.750 [19.05]	1.131 [28.73]	1.121 [28.47]	1.349 [34.26]	1 1/16-18 UNEF
20	1 1/4-18 UNEF	.125 [3.17]	2.125 [53.97]	2.500 [63.50]	.750 [19.05]	1.256 [31.90]	1.246 [31.65]	1.474 [37.44]	1 3/16-18 UNEF
22	1 3/8-18 UNEF	.125 [3.17]	2.125 [53.97]	2.500 [63.50]	.750 [19.05]	1.381 [35.08]	1.371 [34.82]	1.599 [40.61]	1 5/16-18 UNEF
24	1 1/2-18 UNEF	.125 [3.17]	2.125 [53.97]	2.500 [63.50]	.812 [20.62]	1.506 [38.25]	1.496 [38.00]	1.715 [43.56]	1 7/16-18 UNEF
28	1 3/4-18 UNS	.125 [3.17]	2.125 [53.97]	2.500 [63.50]	.812 [20.62]	1.756 [44.60]	1.746 [44.35]	1.974 [50.14]	1 3/4-18 UNS
32	2-18 UNS	.125 [3.17]	2.125 [53.97]	2.500 [63.50]	.875 [22.22]	2.007 [50.98]	1.996 [50.70]	2.224 [56.49]	2-18 UNS
36	2 1/4-16 UN	.125 [3.17]	2.125 [53.97]	2.500 [63.50]	.875 [22.22]	2.257 [57.33]	2.246 [57.05]	2.474 [62.84]	2 1/4-16 UN
40	2 1/2-16 UN	.125 [3.17]	2.125 [53.97]	2.500 [63.50]	.875 [22.22]	2.511 [63.78]	2.496 [63.40]	2.724 [69.19]	2 1/2-16 UN
44	2 3/4-16 UN	.125 [3.17]	2.125 [53.97]	2.500 [63.50]	.875 [22.22]	2.761 [70.13]	2.746 [69.75]	2.974 [75.54]	2 3/4-16 UN
48	3-16 UN	.125 [3.17]	2.125 [53.97]	2.500 [63.50]	.875 [22.22]	3.011 [76.48]	2.996 [76.10]	3.224 [81.89]	3-16 UN

Dimensions in brackets [ ] are in millimeters.

# IN-LINE RECEPTACLE CRIMP, FRONT RELEASE CONTACTS (MS3401)

## SC31SV MIL-DTL-5015 SERIES II

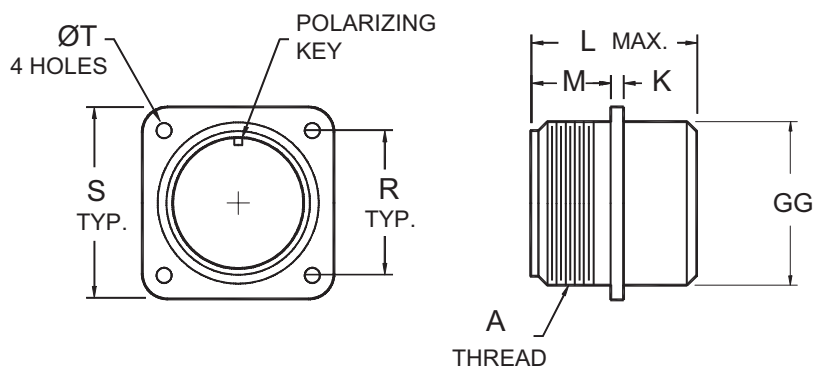


### SC31SV\* Environmental

SHELL SIZE	FRONT VIEW			SIDE VIEW				
	R		S	G	L	M	W	V
	MAX	MIN	±.031 [±0.79]	MAX	MAX	+0.031 [+0.79] -0.000 [-0.00]	±.005 [±0.13]	THREAD CLASS 2A
8S	0.504 [12.80]	0.496 [12.60]	0.729 [18.52]	*	2.031 [51.59]	0.562 [14.27]	*	.500-28 UNEF
10SL	0.629 [15.98]	0.621 [15.77]	0.854 [21.69]	0.632 [16.1]	2.031 [51.59]	0.562 [14.27]	0.502 [12.8]	.625-24 UNEF
10S	0.629 [15.98]	0.621 [15.77]	0.854 [21.69]	0.632 [16.1]	2.031 [51.59]	0.562 [14.27]	0.502 [12.8]	.625-24 UNEF
12S	0.754 [19.15]	0.746 [18.95]	0.974 [24.74]	0.755 [19.2]	2.031 [51.59]	0.562 [14.27]	0.618 [15.7]	.750-20 UNEF
12	0.754 [19.15]	0.746 [18.95]	0.974 [24.74]	0.755 [19.2]	2.125 [53.97]	0.750 [19.05]	0.618 [15.7]	.750-20 UNEF
14S	0.879 [22.33]	0.871 [22.12]	1.099 [27.91]	0.880 [22.4]	2.031 [51.59]	0.562 [14.27]	0.743 [18.9]	.875-20 UNEF
14	0.879 [22.33]	0.871 [22.12]	1.099 [27.91]	0.880 [22.4]	2.125 [53.97]	0.750 [19.05]	0.743 [18.9]	.875-20 UNEF
16S	1.005 [25.53]	0.996 [25.30]	1.224 [31.09]	1.005 [25.5]	2.031 [51.59]	0.562 [14.27]	0.868 [22.1]	1.000-20 UNEF
16	1.005 [25.53]	0.996 [25.30]	1.224 [31.09]	1.005 [25.5]	2.500 [63.50]	0.750 [19.05]	0.868 [22.1]	1.000-20 UNEF
18	1.131 [28.73]	1.121 [28.47]	1.349 [34.26]	1.065 [27.1]	2.500 [63.50]	0.750 [19.05]	0.924 [23.5]	1.125-18 UNEF
20	1.256 [31.90]	1.246 [31.65]	1.474 [37.44]	1.190 [30.2]	2.500 [63.50]	0.750 [19.05]	1.049 [26.6]	1.250-18 UNEF
22	1.381 [35.08]	1.371 [34.82]	1.599 [40.61]	1.315 [33.4]	2.500 [63.50]	0.750 [19.05]	1.174 [29.8]	1.375-18 UNEF
24	1.506 [38.25]	1.496 [38.00]	1.715 [43.56]	1.440 [36.6]	2.500 [63.50]	0.812 [20.62]	1.299 [33.0]	1.500-18 UNEF
28	1.756 [44.60]	1.746 [44.35]	1.974 [50.14]	1.750 [44.5]	2.500 [63.50]	0.812 [20.62]	1.520 [38.6]	1.750-18 UNS
32	2.007 [50.98]	1.996 [50.70]	2.224 [56.49]	2.250 [50.8]	2.500 [63.50]	0.875 [22.22]	1.770 [45.0]	2.000-18 UNS
36	2.257 [57.33]	2.246 [57.05]	2.474 [62.84]	2.250 [57.2]	2.500 [63.50]	0.875 [22.22]	1.985 [50.4]	2.250-16 UN
40	2.511 [63.78]	2.496 [63.40]	2.724 [69.19]	2.500 [63.5]	2.500 [63.50]	0.875 [22.22]	2.200 [55.9]	2.500-16 UN

Dimensions in brackets [ ] are in millimeters.

\* Consult Factory



2A

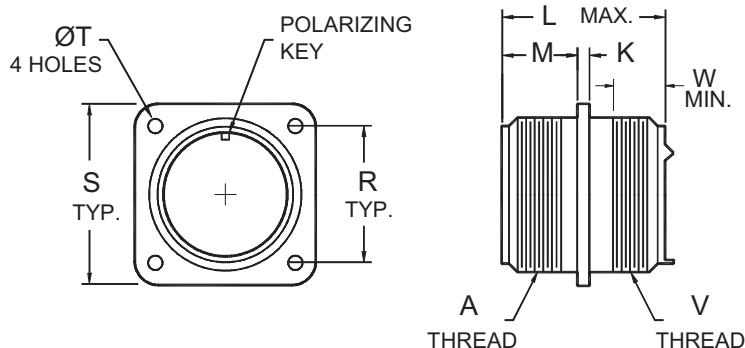
SC32\* Environmental

SHELL SIZE	A COUPLING THREAD CLASS 2A	K ±.015 [±0.38]	L MAX.		M +.031 -.000 [+0.79] [-0.00]	R T.P. C <sub>L</sub> - C <sub>L</sub>	S ±.031 [±0.79]	T +.010 -.005 [+0.25] [-0.13]	ØGG ±.016 [±0.41]
			CONTACT SIZE						
			16 & 12	8,4 & 0					
8S	1/2-28 UNEF	.083 [2.11]	1.662 [42.21]	-	.562 [14.27]	.594 [15.09]	.875 [22.22]	.120 [3.05]	.453 [11.51]
10S	5/8-24 UNEF	.083 [2.11]	1.662 [42.21]	-	.562 [14.27]	.719 [18.26]	1.000 [25.40]	.120 [3.05]	.625 [15.87]
10SL	5/8-24 UNEF	.083 [2.11]	1.662 [42.21]	-	.562 [14.27]	.719 [18.26]	1.000 [25.40]	.120 [3.05]	.625 [15.87]
12S	3/4-20 UNEF	.083 [2.11]	1.662 [42.21]	-	.562 [14.27]	.812 [20.62]	1.094 [27.79]	.120 [3.05]	.750 [19.05]
12	3/4-20 UNEF	.083 [2.11]	1.662 [42.21]	-	.750 [19.05]	.812 [20.62]	1.094 [27.79]	.120 [3.05]	.750 [19.05]
14S	7/8-20 UNEF	.083 [2.11]	1.662 [42.21]	-	.562 [14.27]	.906 [23.01]	1.188 [30.18]	.120 [3.05]	.875 [22.22]
14	7/8-20 UNEF	.083 [2.11]	1.662 [42.21]	-	.750 [19.05]	.906 [23.01]	1.188 [30.18]	.120 [3.05]	.875 [22.22]
16S	1-20 UNEF	.083 [2.11]	1.662 [42.21]	-	.562 [14.27]	.969 [24.61]	1.281 [32.54]	.120 [3.05]	.953 [24.21]
16	1-20 UNEF	.083 [2.11]	1.662 [42.21]	1.937 [49.20]	.750 [19.05]	.969 [24.61]	1.281 [32.54]	.120 [3.05]	.953 [24.21]
18	1 1/8-18 UNEF	.125 [3.17]	1.662 [42.21]	1.937 [49.20]	.750 [19.05]	1.062 [26.97]	1.375 [34.92]	.120 [3.05]	1.062 [26.97]
20	1 1/4-18 UNEF	.125 [3.17]	1.662 [42.21]	1.937 [49.20]	.750 [19.05]	1.156 [29.36]	1.500 [38.10]	.120 [3.05]	1.187 [30.15]
22	1 3/8-18 UNEF	.125 [3.17]	1.662 [42.21]	1.937 [49.20]	.750 [19.05]	1.250 [31.75]	1.625 [41.27]	.120 [3.05]	1.312 [33.32]
24	1 1/2-18 UNEF	.125 [3.17]	1.662 [42.21]	1.937 [49.20]	.812 [20.62]	1.375 [34.92]	1.750 [44.45]	.147 [3.73]	1.437 [36.50]
28	1 3/4-18 UNS	.125 [3.17]	1.662 [42.21]	1.937 [49.20]	.812 [20.62]	1.562 [39.67]	2.000 [50.80]	.147 [3.73]	1.750 [44.45]
32	2-18 UNS	.125 [3.17]	1.662 [42.21]	1.937 [49.20]	.875 [22.22]	1.750 [44.45]	2.250 [57.15]	.173 [4.39]	2.000 [50.80]
36	2 1/4-16 UN	.125 [3.17]	1.662 [42.21]	1.937 [49.20]	.875 [22.22]	1.938 [49.22]	2.500 [63.50]	.173 [4.39]	2.250 [57.15]
40	2 1/2-16 UN	.125 [3.17]	1.662 [42.21]	1.937 [49.20]	.875 [22.22]	2.188 [55.58]	2.750 [69.85]	.173 [4.39]	2.500 [63.50]
44	2 3/4-16 UN	.125 [3.17]	1.662 [42.21]	1.937 [49.20]	.875 [22.22]	2.375 [60.32]	3.000 [76.20]	.173 [4.39]	2.750 [69.85]
48	3-16 UN	.125 [3.17]	1.662 [42.21]	1.937 [49.20]	.875 [22.22]	2.625 [66.67]	3.250 [82.55]	.173 [4.39]	3.000 [76.20]

Dimensions in brackets [ ] are in millimeters.

# BOX MOUNT RECEPTACLE, THREADED SKIRT

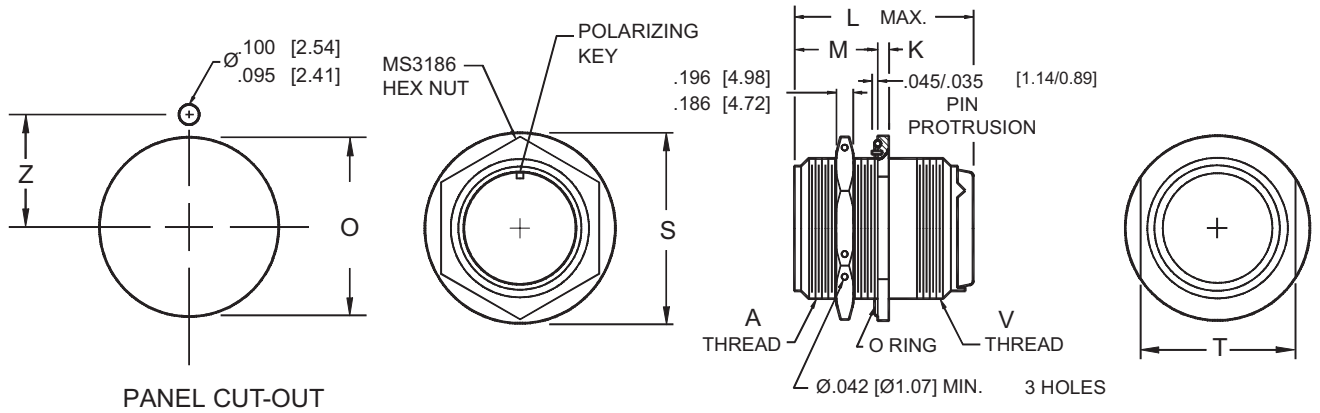
SC33 CRIMP, FRONT RELEASE CONTACTS



## SC33\* Environmental

SHELL SIZE	A COUPLING THREAD CLASS 2A	K ±.015 [±0.38]	L MAX.		M +.031 -.000 [+0.79] [-0.00]	R T.P. C <sub>L</sub> - C <sub>L</sub>	S ±.031 [±0.79]	T +.010 -.005 [+0.25] [-0.13]	V ACCESSORY THREAD CLASS 2A	W MIN.
			CONTACT SIZE							
			16 & 12	8,4 & 0						
8S	1/2-28 UNEF	.083 [2.11]	1.662 [42.21]	-	.562 [14.27]	.594 [15.09]	.875 [22.22]	.120 [3.05]	1/2-20 UNF	.290 [7.37]
10S	5/8-24 UNEF	.083 [2.11]	1.662 [42.21]	-	.562 [14.27]	.719 [18.26]	1.000 [25.40]	.120 [3.05]	5/8-24 UNEF	.290 [7.37]
10SL	5/8-24 UNEF	.083 [2.11]	1.662 [42.21]	-	.562 [14.27]	.719 [18.26]	1.000 [25.40]	.120 [3.05]	5/8-24 UNEF	.290 [7.37]
12S	3/4-20 UNEF	.083 [2.11]	1.662 [42.21]	-	.562 [14.27]	.812 [20.62]	1.094 [27.79]	.120 [3.05]	3/4-20 UNEF	.290 [7.37]
12	3/4-20 UNEF	.083 [2.11]	1.662 [42.21]	-	.750 [19.05]	.812 [20.62]	1.094 [27.79]	.120 [3.05]	3/4-20 UNEF	.290 [7.37]
14S	7/8-20 UNEF	.083 [2.11]	1.662 [42.21]	-	.562 [14.27]	.906 [23.01]	1.188 [30.18]	.120 [3.05]	7/8-20 UNEF	.290 [7.37]
14	7/8-20 UNEF	.083 [2.11]	1.662 [42.21]	-	.750 [19.05]	.906 [23.01]	1.188 [30.18]	.120 [3.05]	7/8-20 UNEF	.290 [7.37]
16S	1-20 UNEF	.083 [2.11]	1.662 [42.21]	-	.562 [14.27]	.969 [24.61]	1.281 [32.54]	.120 [3.05]	1-20 UNEF	.290 [7.37]
16	1-20 UNEF	.083 [2.11]	1.662 [42.21]	1.937 [49.20]	.750 [19.05]	.969 [24.61]	1.281 [32.54]	.120 [3.05]	1-20 UNEF	.290 [7.37]
18	1 1/8-18 UNEF	.125 [3.17]	1.662 [42.21]	1.937 [49.20]	.750 [19.05]	1.062 [26.97]	1.375 [34.92]	.120 [3.05]	1 1/16-18 UNEF	.290 [7.37]
20	1 1/4-18 UNEF	.125 [3.17]	1.662 [42.21]	1.937 [49.20]	.750 [19.05]	1.156 [29.36]	1.500 [38.10]	.120 [3.05]	1 3/16-18 UNEF	.290 [7.37]
22	1 3/8-18 UNEF	.125 [3.17]	1.662 [42.21]	1.937 [49.20]	.750 [19.05]	1.250 [31.75]	1.625 [41.27]	.120 [3.05]	1 5/16-18 UNEF	.290 [7.37]
24	1 1/2-18 UNEF	.125 [3.17]	1.662 [42.21]	1.937 [49.20]	.812 [20.62]	1.375 [34.92]	1.750 [44.45]	.147 [3.73]	1 7/16-18 UNEF	.290 [7.37]
28	1 3/4-18 UNS	.125 [3.17]	1.662 [42.21]	1.937 [49.20]	.812 [20.62]	1.562 [39.67]	2.000 [50.80]	.147 [3.73]	1 3/4-18 UNS	.467 [11.86]
32	2-18 UNS	.125 [3.17]	1.662 [42.21]	1.937 [49.20]	.875 [22.22]	1.750 [44.45]	2.250 [57.15]	.173 [4.39]	2-18 UNS	.467 [11.86]
36	2 1/4-16 UN	.125 [3.17]	1.662 [42.21]	1.937 [49.20]	.875 [22.22]	1.938 [49.22]	2.500 [63.50]	.173 [4.39]	2 1/4-16 UN	.467 [11.86]
40	2 1/2-16 UN	.125 [3.17]	1.662 [42.21]	1.937 [49.20]	.875 [22.22]	2.188 [55.58]	2.750 [69.85]	.173 [4.39]	2 1/2-16 UN	.467 [11.86]
44	2 3/4-16 UN	.125 [3.17]	1.662 [42.21]	1.937 [49.20]	.875 [22.22]	2.375 [60.32]	3.000 [76.20]	.173 [4.39]	2 3/4-16 UN	.467 [11.86]
48	3-16 UN	.125 [3.17]	1.662 [42.21]	1.937 [49.20]	.875 [22.22]	2.625 [66.67]	3.250 [82.55]	.173 [4.39]	3-16 UN	.467 [11.86]

Dimensions in brackets [ ] are in millimeters.



2A

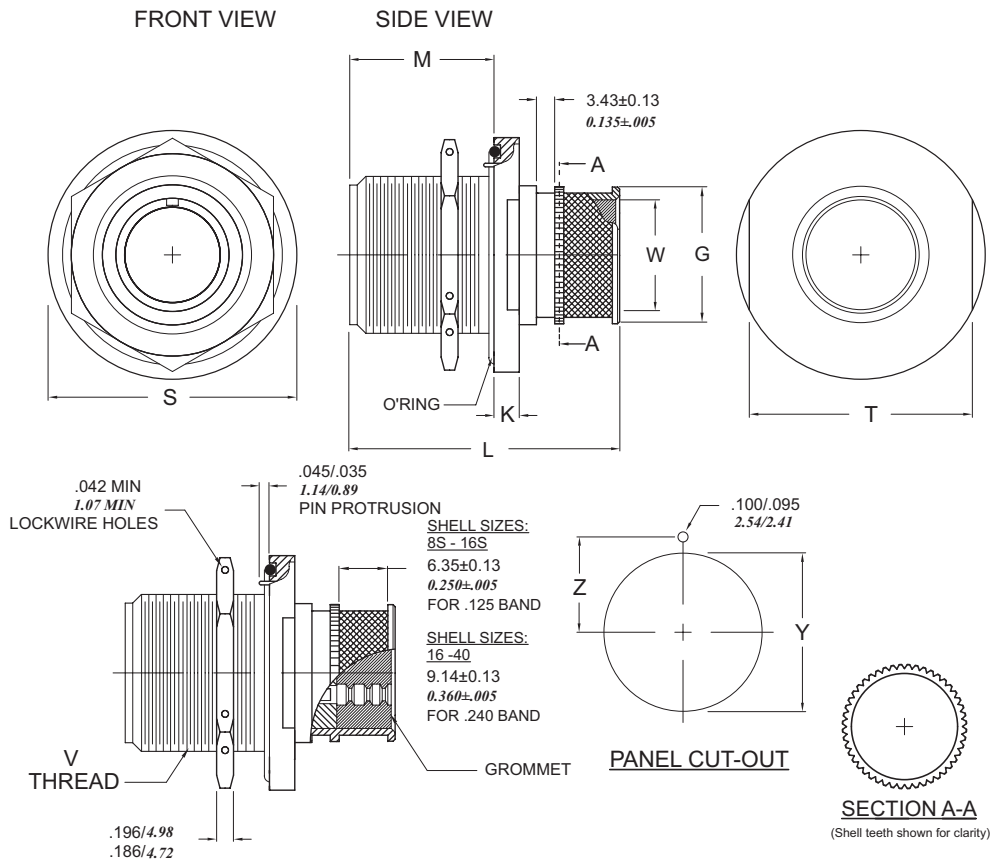
SC34\* Environmental

SHELL SIZE	A COUPLING THREAD CLASS 2A	K ±.005 [±0.13]	L MAX.		M ±.005 [±0.13]	S ±.005 [±0.13]	T ±.010 [±0.25]	ØØ +.015 -.000 [+0.38] [-0.00]	Z ±.005 [±0.13]	V ACCESSORY THREAD CLASS 2A
			CONTACT SIZE							
			16 & 12	8,4 & 0						
8S	1/2-28 UNEF	.115 [2.92]	2.031 [51.59]	-	.720 [18.29]	1.187 [30.15]	.865 [21.97]	.505 [12.83]	.326 [8.28]	1/2-20 UNF
10S	5/8-24 UNEF	.115 [2.92]	2.031 [51.59]	-	.720 [18.29]	1.312 [33.32]	.990 [25.15]	.630 [16.00]	.385 [9.78]	5/8-24 UNEF
10SL	5/8-24 UNEF	.115 [2.92]	2.031 [51.59]	-	.720 [18.29]	1.312 [33.32]	.990 [25.15]	.630 [16.00]	.385 [9.78]	5/8-24 UNEF
12S	3/4-20 UNEF	.115 [2.92]	2.031 [51.59]	-	.720 [18.29]	1.437 [36.50]	1.050 [26.67]	.755 [19.18]	.448 [11.38]	3/4-20 UNEF
12	3/4-20 UNEF	.115 [2.92]	2.125 [53.97]	-	.966 [24.54]	1.437 [36.50]	1.050 [26.67]	.755 [19.18]	.448 [11.38]	3/4-20 UNEF
14S	7/8-20 UNEF	.115 [2.92]	2.031 [51.59]	-	.720 [18.29]	1.562 [39.67]	1.175 [29.84]	.880 [22.35]	.510 [12.95]	7/8-20 UNEF
14	7/8-20 UNEF	.115 [2.92]	2.125 [53.97]	-	.966 [24.54]	1.562 [39.67]	1.175 [29.84]	.880 [22.35]	.510 [12.95]	7/8-20 UNEF
16S	1-20 UNEF	.115 [2.92]	2.031 [51.59]	-	.720 [18.29]	1.687 [42.85]	1.300 [33.02]	1.005 [25.53]	.573 [14.55]	1-20 UNEF
16	1-20 UNEF	.115 [2.92]	2.125 [53.97]	2.500 [63.50]	.966 [24.54]	1.687 [42.85]	1.300 [33.02]	1.005 [25.53]	.573 [14.55]	1-20 UNEF
18	1 1/8-18 UNEF	.115 [2.92]	2.125 [53.97]	2.500 [63.50]	.966 [24.54]	1.812 [46.02]	1.425 [36.19]	1.130 [28.70]	.635 [16.13]	1 1/16-18 UNEF
20	1 1/4-18 UNEF	.145 [3.68]	2.125 [53.97]	2.500 [63.50]	.966 [24.54]	1.937 [49.20]	1.550 [39.37]	1.255 [31.88]	.698 [17.73]	1 3/16-18 UNEF
22	1 3/8-18 UNEF	.145 [3.68]	2.125 [53.97]	2.500 [63.50]	.966 [24.54]	2.156 [54.76]	1.550 [39.37]	1.380 [35.05]	.760 [19.30]	1 5/16-18 UNEF
24	1 1/2-18 UNEF	.145 [3.68]	2.125 [53.97]	2.500 [63.50]	.966 [24.54]	2.281 [57.94]	1.800 [45.72]	1.505 [38.23]	.823 [20.90]	1 7/16-18 UNEF
28	1 3/4-18 UNS	.145 [3.68]	2.125 [53.97]	2.500 [63.50]	.966 [24.54]	2.531 [64.29]	1.925 [48.89]	1.755 [44.58]	.948 [24.08]	1 3/4-18 UNS
32	2-18 UNS	.145 [3.68]	2.125 [53.97]	2.500 [63.50]	.966 [24.54]	2.781 [70.64]	2.175 [55.24]	2.005 [50.93]	1.073 [27.25]	2-18 UNS
36	2 1/4-16 UN	.145 [3.68]	2.125 [53.97]	2.500 [63.50]	.966 [24.54]	3.031 [76.99]	2.550 [64.77]	2.255 [57.28]	1.198 [30.43]	2 1/4-16 UN
40	2 1/2-16 UN	.145 [3.68]	2.125 [53.97]	2.500 [63.50]	.966 [24.54]	3.281 [83.34]	2.800 [71.12]	2.505 [63.63]	1.323 [33.60]	2 1/2-16 UN
44	2 3/4-16 UN	.145 [3.68]	2.125 [53.97]	2.500 [63.50]	.966 [24.54]	3.656 [92.86]	3.050 [77.47]	2.755 [69.98]	1.448 [36.78]	2 3/4-16 UN
48	3-16 UN	.145 [3.68]	2.125 [53.97]	2.500 [63.50]	.966 [24.54]	3.906 [99.21]	3.300 [83.82]	3.005 [76.33]	1.573 [39.95]	3-16 UN

Dimensions in brackets [ ] are in millimeters.

# JAM NUT RECEPTACLE CRIMP, FRONT RELEASE CONTACTS (MS3404)

## SC34SV

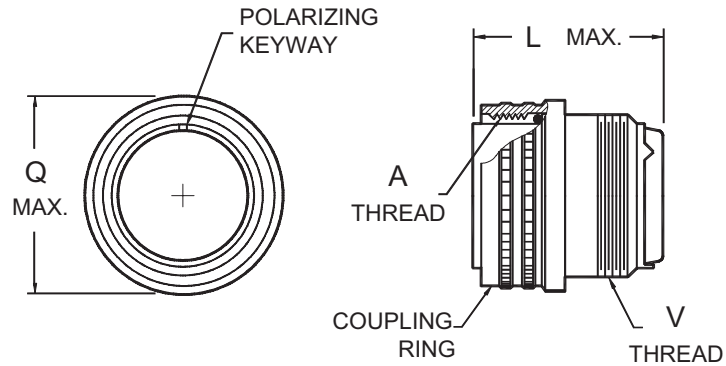


### SC34SV\* Environmental

SHELL SIZE	FRONT VIEW		SIDE VIEW					PANEL CUT-OUT		
	S ±.005 [±0.13]	T ±.010 [±0.25]	G MAX	K ±.005 [±0.13]	L MAX	M ±.005 [±0.13]	W ±.005 [±0.13]	V THREAD CLASS 2A	Y +.015 [+0.38] -0.000 [-0.00]	Z ±.005 [±0.13]
8S	1.187 [30.15]	0.865 [21.97]	*	0.115 [2.92]	2.031 [51.59]	0.720 [18.29]	*	.500-28 UNEF	0.505 [12.83]	0.323 [8.20]
10SL	1.312 [33.32]	0.990 [25.15]	0.632 [16.1]	0.115 [2.92]	2.031 [51.59]	0.720 [18.29]	0.502 [12.8]	.625-24 UNEF	0.630 [16.00]	0.385 [9.78]
10S	1.312 [33.32]	0.990 [25.15]	0.632 [16.1]	0.115 [2.92]	2.031 [51.59]	0.720 [18.29]	0.502 [12.8]	.625-24 UNEF	0.630 [16.00]	0.385 [9.78]
12S	1.437 [36.50]	1.050 [26.67]	0.755 [19.2]	0.115 [2.92]	2.031 [51.59]	0.720 [18.29]	0.618 [15.7]	.750-20 UNEF	0.755 [19.18]	0.448 [11.38]
12	1.437 [36.50]	1.050 [26.67]	0.755 [19.2]	0.115 [2.92]	2.125 [53.97]	0.970 [24.64]	0.618 [15.7]	.750-20 UNEF	0.755 [19.18]	0.448 [11.38]
14S	1.562 [39.67]	1.175 [29.84]	0.880 [22.4]	0.115 [2.92]	2.031 [51.59]	0.720 [18.29]	0.743 [18.9]	.875-20 UNEF	0.880 [22.35]	0.510 [12.95]
14	1.562 [39.67]	1.175 [29.84]	0.880 [22.4]	0.115 [2.92]	2.125 [53.97]	0.970 [24.64]	0.743 [18.9]	.875-20 UNEF	0.880 [22.35]	0.510 [12.95]
16S	1.687 [42.85]	1.300 [33.02]	1.005 [25.5]	0.115 [2.92]	2.031 [51.59]	0.720 [18.29]	0.868 [22.1]	1.000-20 UNEF	1.005 [25.53]	0.573 [14.55]
16	1.687 [42.85]	1.300 [33.02]	1.005 [25.5]	0.115 [2.92]	2.500 [63.50]	0.970 [24.64]	0.868 [22.1]	1.000-20 UNEF	1.005 [25.53]	0.573 [14.55]
18	1.812 [46.02]	1.425 [36.19]	1.065 [27.1]	0.115 [2.92]	2.500 [63.50]	0.970 [24.64]	0.924 [23.5]	1.125-18 UNEF	1.130 [28.70]	0.635 [16.13]
20	1.937 [49.20]	1.550 [39.37]	1.190 [30.2]	0.145 [3.68]	2.500 [63.50]	0.970 [24.64]	1.049 [26.6]	1.250-18 UNEF	1.255 [31.88]	0.698 [17.73]
22	2.156 [54.76]	1.550 [39.37]	1.315 [33.4]	0.145 [3.68]	2.500 [63.50]	0.970 [24.64]	1.174 [29.8]	1.375-18 UNEF	1.380 [35.05]	0.760 [19.30]
24	2.281 [57.94]	1.800 [45.72]	1.440 [36.6]	0.145 [3.68]	2.500 [63.50]	0.970 [24.64]	1.299 [33.0]	1.500-18 UNEF	1.505 [38.23]	0.823 [20.90]
28	2.531 [64.29]	1.925 [48.89]	1.750 [44.5]	0.145 [3.68]	2.500 [63.50]	0.970 [24.64]	1.520 [38.6]	1.750-18 UNS	1.755 [44.58]	0.948 [24.08]
32	2.781 [70.64]	2.175 [55.24]	2.000 [50.8]	0.145 [3.68]	2.500 [63.50]	0.970 [24.64]	1.770 [45.0]	2.000-18 UNS	2.005 [50.93]	1.073 [27.25]
36	3.031 [76.99]	2.550 [64.77]	2.250 [57.2]	0.145 [3.68]	2.500 [63.50]	0.970 [24.64]	1.985 [50.4]	2.250-16 UN	2.255 [57.28]	1.198 [30.43]
40	3.281 [83.34]	2.800 [71.12]	2.500 [63.5]	0.145 [3.68]	2.500 [63.50]	0.970 [24.64]	2.200 [55.9]	2.500-16 UN	2.505 [63.63]	1.323 [33.60]

Dimensions in brackets [ ] are in millimeters.

\* Consult Factory



2A

**SC36\* Environmental**  
**SC37\* Environmental, with**  
**self-locking coupling nut**

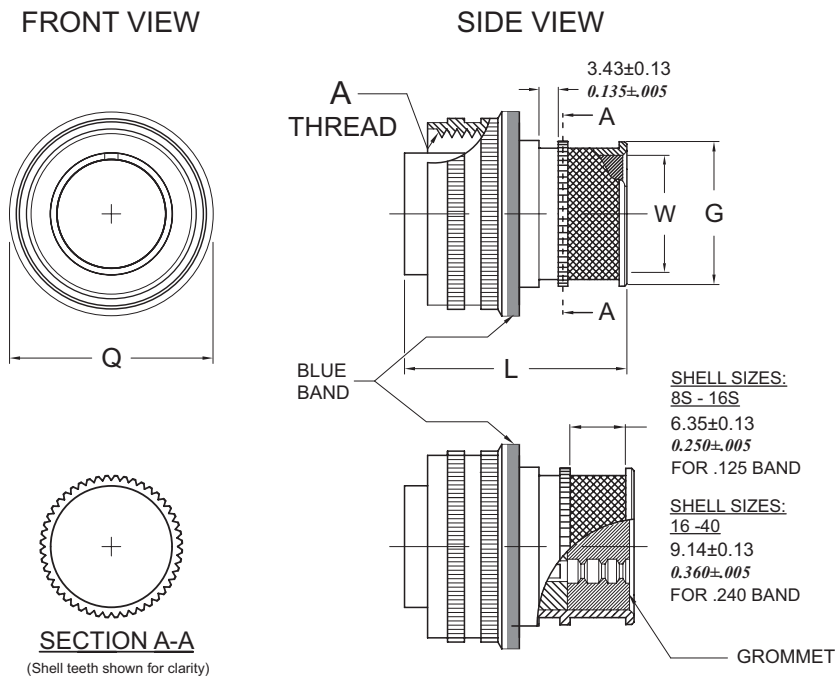
SHELL SIZE	A COUPLING THREAD CLASS 2B	L MAX.		V ACCESSORY THREAD CLASS 2A	SC36 ØQ MAX.	SC37 ØQ MAX.
		CONTACT SIZE				
		16 & 12	8,4 & 0			
8S	1/2-28 UNEF	2.031 [51.59]	-	1/2-20 UNEF	.844 [21.44]	.963 [24.46]
10S	5/8-24 UNEF	2.031 [51.59]	-	5/8-24 UNEF	.969 [24.61]	1.088 [27.64]
10SL	5/8-24 UNEF	2.031 [51.59]	-	5/8-24 UNEF	.969 [24.61]	1.088 [27.64]
12S	3/4-20 UNEF	2.031 [51.59]	-	3/4-20 UNEF	1.062 [26.97]	1.213 [30.81]
12	3/4-20 UNEF	2.125 [53.97]	-	3/4-20 UNEF	1.062 [26.97]	1.213 [30.81]
14S	7/8-20 UNEF	2.031 [51.59]	-	7/8-20 UNEF	1.156 [29.36]	1.358 [34.49]
14	7/8-20 UNEF	2.125 [53.97]	-	7/8-20 UNEF	1.156 [29.36]	1.358 [34.49]
16S	1-20 UNEF	2.031 [51.59]	-	1-20 UNEF	1.250 [31.75]	1.463 [37.16]
16	1-20 UNEF	2.125 [53.97]	2.500 [63.50]	1-20 UNEF	1.250 [31.75]	1.463 [37.16]
18	1 1/8-18 UNEF	2.125 [53.97]	2.500 [63.50]	1 1/16-18 UNEF	1.344 [34.14]	1.588 [40.34]
20	1 1/4-18 UNEF	2.125 [53.97]	2.500 [63.50]	1 3/16-18 UNEF	1.469 [37.31]	1.713 [43.51]
22	1 3/8-18 UNEF	2.125 [53.97]	2.500 [63.50]	1 5/16-18 UNEF	1.594 [40.49]	1.788 [45.42]
24	1 1/2-18 UNEF	2.125 [53.97]	2.500 [63.50]	1 7/16-18 UNEF	1.719 [43.66]	1.963 [49.86]
28	1 3/4-18 UNS	2.125 [53.97]	2.500 [63.50]	1 3/4-18 UNS	1.969 [50.01]	2.213 [56.21]
32	2-18 UNS	2.125 [53.97]	2.500 [63.50]	2-18 UNS	2.219 [56.36]	2.463 [62.56]
36	2 1/4-16 UN	2.125 [53.97]	2.500 [63.50]	2 1/4-16 UN	2.469 [62.71]	2.713 [68.91]
40	2 1/2-16 UN	2.125 [53.97]	2.500 [63.50]	2 1/2-16 UN	2.719 [69.06]	2.963 [75.26]
44	2 3/4-16 UN	2.125 [53.97]	2.500 [63.50]	2 3/4-16 UN	2.969 [75.41]	*
48	3-16 UN	2.125 [53.97]	2.500 [63.50]	3-16 UN	3.219 [81.76]	*

Dimensions in brackets [ ] are in millimeters.  
 \* Consult Factory

# STRAIGHT PLUG CRIMP, FRONT RELEASE CONTACTS (MS3406)

SC36SV

SC37SV SELF-LOCKING COUPLING NUT



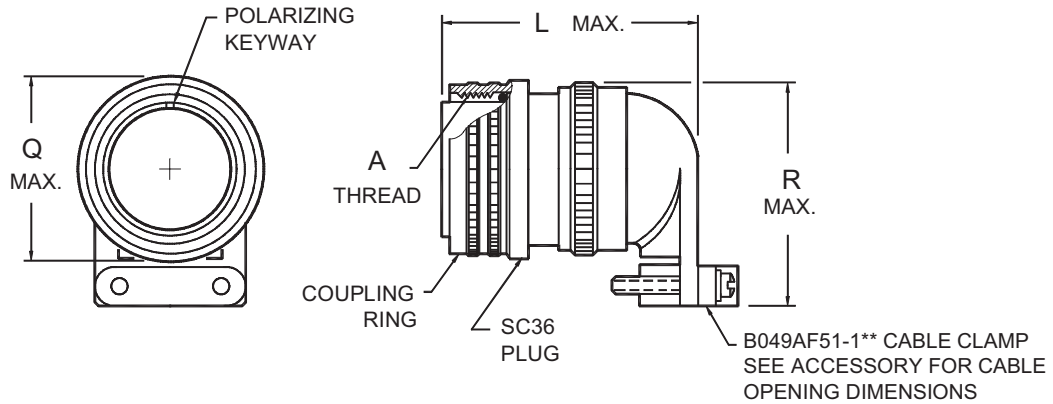
**SC36SV\*** Environmental  
**SC37SV\*** Environmental, with self-locking coupling nut

SHELL SIZE	FRONT VIEW		SIDE VIEW			
	36SV*	37SV*	G MAX	L MAX	W ±.005 [±0.13]	A THREAD CLASS 2B
	Q MAX	Q MAX				
8S	0.844 [21.44]	0.963 [24.46]	*	2.031 [51.59]	*	.500-28 UNEF
10SL	0.969 [24.61]	1.088 [27.64]	0.632 [16.1]	2.031 [51.59]	0.502 [12.8]	.625-24 UNEF
10S	0.969 [24.61]	1.088 [27.64]	0.632 [16.1]	2.031 [51.59]	0.502 [12.8]	.625-24 UNEF
12S	1.062 [26.997]	1.213 [30.81]	0.755 [19.2]	2.031 [51.59]	0.618 [15.7]	.750-20 UNEF
12	1.062 [26.997]	1.213 [30.81]	0.755 [19.2]	2.125 [53.97]	0.618 [15.7]	.750-20 UNEF
14S	1.156 [29.36]	1.358 [34.49]	0.880 [22.4]	2.031 [51.59]	0.743 [18.9]	.875-20 UNEF
14	1.156 [29.36]	1.358 [34.49]	0.880 [22.4]	2.125 [53.97]	0.743 [18.9]	.875-20 UNEF
16S	1.250 [31.75]	1.463 [37.16]	1.005 [25.5]	2.031 [51.59]	0.868 [22.1]	1.000-20 UNEF
16	1.250 [31.75]	1.463 [37.16]	1.005 [25.5]	2.500 [63.50]	0.868 [22.1]	1.000-20 UNEF
18	1.344 [34.14]	1.588 [40.34]	1.065 [27.1]	2.500 [63.50]	0.924 [23.5]	1.125-18 UNEF
20	1.469 [37.31]	1.713 [43.51]	1.190 [30.2]	2.500 [63.50]	1.049 [26.6]	1.250-18 UNEF
22	1.594 [40.49]	1.788 [45.42]	1.315 [33.4]	2.500 [63.50]	1.174 [29.8]	1.375-18 UNEF
24	1.719 [43.66]	1.963 [49.86]	1.440 [36.6]	2.500 [63.50]	1.299 [33.0]	1.500-18 UNEF
28	1.969 [50.01]	2.213 [56.21]	1.750 [44.5]	2.500 [63.50]	1.520 [38.6]	1.750-18 UNS
32	2.219 [56.36]	2.463 [62.56]	2.000 [50.8]	2.500 [63.50]	1.770 [45.0]	2.000-18 UNS
36	2.469 [62.71]	2.713 [68.91]	2.250 [57.2]	2.500 [63.50]	1.985 [50.4]	2.250-16 UN
40	2.719 [69.06]	2.963 [75.26]	2.500 [63.5]	2.500 [63.50]	2.200 [55.9]	2.500-16 UN

Dimensions in brackets [ ] are in millimeters.

\* Consult Factory

# CRIMP, FRONT RELEASE CONTACTS **90° PLUG** SC38



2A

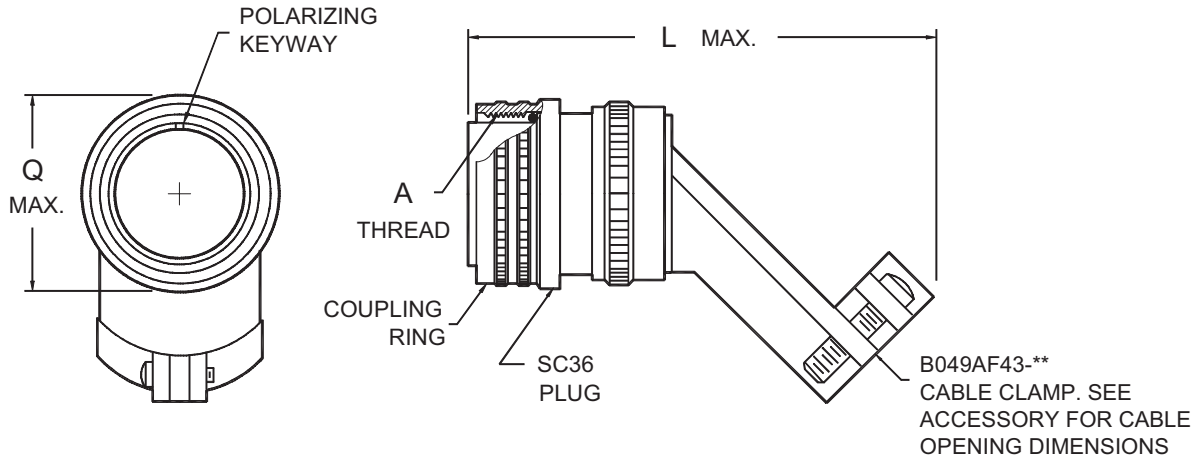
## SC38\* Environmental

SHELL SIZE	A COUPLING THREAD CLASS 2B	ØQ MAX.	L MAX.		R MAX.
			CONTACT SIZE		
			16 & 12	8,4 & 0	
8S	1/2-28 UNEF	.844 [21.44]	2.495 [63.37]	-	1.230 [31.24]
10S	5/8-24 UNEF	.969 [24.61]	2.500 [63.50]	-	1.352 [34.34]
10SL	5/8-24 UNEF	.969 [24.61]	2.555 [64.90]	-	1.352 [34.34]
12S	3/4-20 UNEF	1.062 [26.97]	2.555 [64.90]	-	1.460 [37.08]
12	3/4-20 UNEF	1.062 [26.97]	2.625 [66.67]	-	1.460 [37.08]
14S	7/8-20 UNEF	1.156 [29.36]	2.615 [66.42]	-	1.570 [39.88]
14	7/8-20 UNEF	1.156 [29.36]	2.685 [68.20]	-	1.570 [39.88]
16S	1-20 UNEF	1.250 [31.75]	2.695 [68.45]	-	1.681 [42.70]
16	1-20 UNEF	1.250 [31.75]	2.765 [70.23]	3.165 [80.39]	1.681 [42.70]
18	1 1/8-18 UNEF	1.344 [34.14]	2.810 [71.37]	3.210 [81.53]	1.905 [48.39]
20	1 1/4-18 UNEF	1.469 [37.31]	2.875 [73.02]	3.275 [83.18]	2.031 [51.59]
22	1 3/8-18 UNEF	1.594 [40.49]	2.935 [74.55]	3.335 [84.71]	2.155 [54.74]
24	1 1/2-18 UNEF	1.719 [43.66]	2.995 [76.07]	3.395 [86.23]	2.280 [57.91]
28	1 3/4-18 UNS	1.969 [50.01]	3.160 [80.26]	3.560 [90.42]	2.619 [66.52]
32	2-18 UNS	2.219 [56.36]	3.250 [82.55]	3.650 [92.71]	2.969 [75.41]
36	2 1/4-16 UN	2.469 [62.71]	3.375 [85.72]	3.775 [95.88]	3.219 [81.76]
40	2 1/2-16 UN	2.719 [69.06]	3.510 [89.15]	3.910 [99.31]	3.469 [88.11]
44	2 3/4-16 UN	2.969 [75.41]	3.635 [92.33]	4.035 [102.49]	3.843 [97.61]
48	3-16 UN	3.219 [81.76]	3.760 [95.50]	4.160 [105.66]	4.093 [103.96]

Dimensions in brackets [ ] are in millimeters.

# 45° PLUG CRIMP, FRONT RELEASE CONTACTS

## SC39



### SC39\* Environmental

SHELL SIZE	A COUPLING THREAD CLASS 2B	ØQ MAX.	L MAX.	
			CLASS D	CLASS DJ
8S	1/2-28 UNEF	.844 [21.44]	3.000 [76.20]	3.938 [100.03]
10S	5/8-24 UNEF	.969 [24.61]	3.062 [77.77]	4.438 [112.73]
10SL	5/8-24 UNEF	.969 [24.61]	3.062 [77.77]	4.438 [112.73]
12S	3/4-20 UNEF	1.062 [26.97]	3.125 [79.37]	4.562 [115.87]
12	3/4-20 UNEF	1.062 [26.97]	3.125 [79.37]	4.562 [115.87]
14S	7/8-20 UNEF	1.156 [29.36]	3.188 [80.98]	4.688 [119.08]
14	7/8-20 UNEF	1.156 [29.36]	3.188 [80.98]	4.688 [119.08]
16S	1-20 UNEF	1.250 [31.75]	3.250 [82.55]	6.125 [155.57]
16	1-20 UNEF	1.250 [31.75]	3.250 [82.55]	6.125 [155.57]
18	1 1/8-18 UNEF	1.344 [34.14]	3.375 [85.72]	5.188 [131.78]
20	1 1/4-18 UNEF	1.469 [37.31]	3.438 [87.33]	5.188 [131.78]
22	1 3/8-18 UNEF	1.594 [40.49]	3.500 [88.90]	5.375 [136.52]
24	1 1/2-18 UNEF	1.719 [43.66]	3.500 [88.90]	5.375 [136.52]
28	1 3/4-18 UNS	1.969 [50.01]	3.625 [92.07]	5.625 [142.87]
32	2-18 UNS	2.219 [56.36]	3.750 [95.25]	5.938 [150.83]
36	2 1/4-16 UN	2.469 [62.71]	3.812 [96.82]	6.062 [153.97]
40	2 1/2-16 UN	2.719 [69.06]	3.812 [96.82]	6.812 [173.02]
44	2 3/4-16 UN	2.969 [75.41]	4.062 [103.17]	6.812 [173.02]
48	3-16 UN	3.219 [81.76]	4.125 [104.77]	6.812 [173.02]

Dimensions in brackets [ ] are in millimeters.

# SECTION 3A

## MIL-DTL-5015 SERIES III

### CRIMP, REAR RELEASE CONTACTS

This Military Specification covers Multipin Cylindrical connectors and is one of the most widely used for various applications. There are 19 shell sizes, 8 shell configurations, and over 130 insert arrangements containing contact sizes 18, 16, 12, 8, 4, 1/0 and 4/0.

MIL-DTL-5015 has surely stood the test-of-time, having been first used in 1939. Through the years, these connectors have been upgraded with the use of state-of-the-art materials and finishes. The insert arrangements are so versatile that they are used in other series of connectors that use different shells and hardware.

Originally, only solder contacts were available. Today, in addition to solder, these connectors are available with crimp contacts, both front and rear release. The coupling method is by use of an UNF type thread. Other coupling methods, reverse bayonet and double start threads are available.

Shown on the chart below is a comparison between various series.

**SERIES COMPARISON**

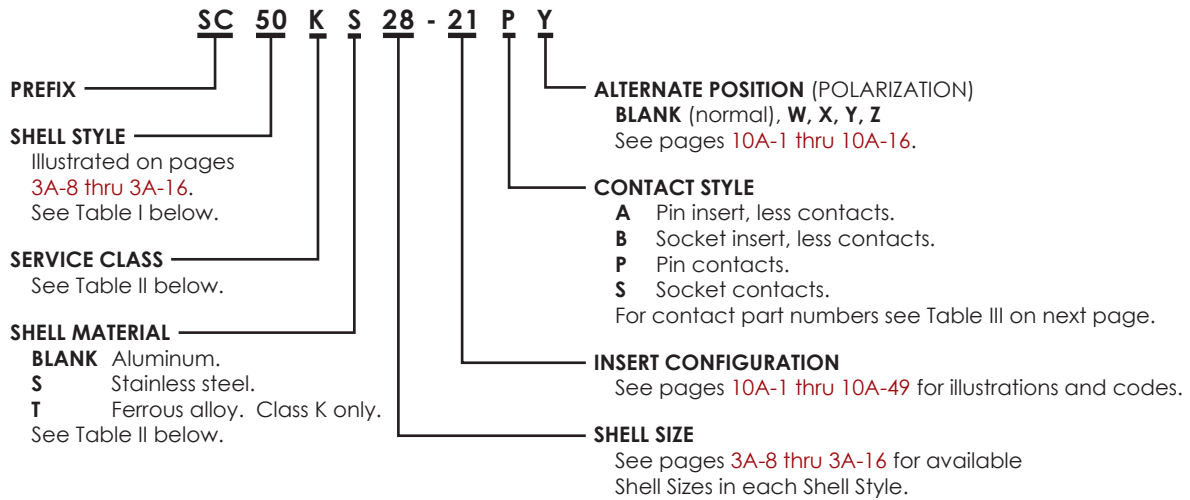
FEATURES	MIL-DTL-5015 SERIES I	MIL-DTL-5015 FRONT RELEASE SERIES II	MIL-DTL-5015 REAR RELEASE SERIES III	REVERSE BAYONET	SWL	SWLD
<b>COUPLING</b>	UNF Threads	UNF Threads	UNF Threads	1/3 turn Bayonet	Double start Threads	Double start Threads
<b>SHELL KEYWAYS</b>	1	1	1	1	1	5
<b>REAR ACCESSORY THREADS</b>	Right Hand	Right Hand	Right Hand	Right Hand	Left Hand	Left Hand
<b>BACKSHELLS</b>	With Connectors	Not supplied (1)	Not supplied (1)	With Connectors	Not supplied (1)	Not supplied (1)
<b>CONTACT TYPE</b>	Solder or F80 Crimp	Crimp	Crimp	Solder or F80 Crimp	Solder or F80 Crimp	Solder or F80 Crimp
<b>CONTACT RETENTION</b>	Rubber	Metal Clip	Metal Clip	Rubber	Rubber	Rubber

(1) Backshells must be purchased separately.

# MIL-C-5015 SERIES III

## CRIMP, REAR RELEASE CONTACTS

### ORDERING INFORMATION



**TABLE I. SHELL STYLE**

SHELL STYLE	DESCRIPTION	AVAILABLE IN CLASS	SEE PAGE
SC50	Wall mount receptacle	K, KS, KT, L, LS, W	3A-7
SC50SV	Wall mount receptacle with integrated backshell	K, KS, KT, L, LS, W	3A-8
SC51	In-line receptacle	L, LS, W	3A-9
SC51SV	In-line receptacle with integrated backshell	L, LS, W	3A-10
SC52	Box mount receptacle	L, LS, W	3A-11
SC54	Jam nut receptacle	L, LS, W	3A-12
SC54SV	Jam nut receptacle with integrated backshell	L, LS, W	3A-13
SC56	Straight plug	K, KS, KT, L, LS, W	3A-14
SC56SV	Straight plug with integrated backshell	K, KS, KT, L, LS, W	3A-15
SC59	Straight plug, self-locking coupling nut	K, KS, KT, L, LS, W	3A-16
SC59SV	Straight plug, self-locking coupling nut with integrated backshell	K, KS, KT, L, LS, W	3A-15

**TABLE II. SERVICE CLASS/SHELL MATERIAL**

CLASS	MATERIAL	FINISH	APPLICATION	TEMPERATURE	FLUID RESISTANCE
KS	Stainless	Passivated	Firewall	-55, + 175° C	Complete
KT	Carbon steel	Cadmium olive drab, 96 hr	Firewall	-55, + 175° C	Complete
L	Aluminum	Electroless nickel	High temperature	-55, + 200° C	Complete
LS	Stainless	Passivated	High temperature	-55, + 200° C	Complete
W	Aluminum	Cadmium olive drab, 96 hr	General purpose	-55, + 175° C	Partial

# MIL-C-5015 SERIES III

## CRIMP, REAR RELEASE CONTACTS

**TABLE III. INSERT & CONTACT INFORMATION**

INSERT NUMBER	CONTACTS			CONTACT PART NUMBER	
	TOTAL	QTY	SIZE	PIN	SOCKET
8S-1	1	1	16	M39029/29-212	M39029/30-217
10S-2	1	1	16	M39029/29-212	M39029/30-217
10SL-3	3	3	16	M39029/29-212	M39029/30-217
10SL-4	2	2	16	M39029/29-212	M39029/30-217
12-5	1	1	12	M39029/29-213	M39029/30-219
12S-1	2	2	16	M39029/29-212	M39029/30-217
12S-2	2	2	16	M39029/29-212	M39029/30-217
12S-3	2	2	16	M39029/29-212	M39029/30-217
12S-4	1	1	16	M39029/29-212	M39029/30-217
14-3	1	1	8	M39029/29-214	M39029/30-220
14S-1	3	3	16	M39029/29-212	M39029/30-217
14S-2	4	4	16	M39029/29-212	M39029/30-217
14S-4	1	1	16	M39029/29-212	M39029/30-217
14S-5	5	5	16	M39029/29-212	M39029/30-217
14S-6	6	6	16	M39029/29-212	M39029/30-217
14S-7	3	3	16	M39029/29-212	M39029/30-217
14S-9	2	2	16	M39029/29-212	M39029/30-217
14S-10	4	4	16	M39029/29-212	M39029/30-217
14S-11	4	4	16	M39029/29-212	M39029/30-217
14S-12	3	3	16	M39029/29-212	M39029/30-217
14S-13	3	3	16	M39029/29-212	M39029/30-217
14S-14	4	4	16	M39029/29-212	M39029/30-217
16-2	1	1	12	M39029/29-213	M39029/30-219
16-7	3	2	16	M39029/29-212	M39029/30-218
		1	8	M39029/29-214	M39029/30-220
16-9	4	2	16	M39029/29-212	M39029/30-218
		2	12	M39029/29-213	M39029/30-219
16-10	3	3	12	M39029/29-213	M39029/30-219
16-11	2	2	12	M39029/29-213	M39029/30-219
16-12	1	1	4	M39029/29-215	M39029/30-221
16-13	2	1	12C*	M39029/85-458	M39029/86-466
		1	12I*	M39029/85-461	M39029/86-469
16S-1	7	7	16	M39029/29-212	M39029/30-217
16S-3	1	1	16	M39029/29-212	M39029/30-217
16S-4	2	2	16	M39029/29-212	M39029/30-217
16S-5	3	3	16	M39029/29-212	M39029/30-217
16S-6	3	3	16	M39029/29-212	M39029/30-217
16S-8	5	5	16	M39029/29-212	M39029/30-217
16S-14	3	3	16	M39029/29-212	M39029/30-217
16S-15	2	2	16	M39029/29-212	M39029/30-217
16S-16	2	2	16	M39029/29-212	M39029/30-217
16S-17	3	3	16	M39029/29-212	M39029/30-217
18-1	10	10	16	M39029/29-212	M39029/30-218
18-2	3	3	16	M39029/29-212	M39029/30-218
18-3	2	2	12	M39029/29-213	M39029/30-219
18-4	4	4	16	M39029/29-212	M39029/30-218
18-5	3	1	62	M39029/29-212	M39029/30-218
		2		M39029/29-213	M39029/30-219
18-6	1	1	4	M39029/29-215	M39029/30-221
18-7	1	1	8	M39029/29-214	M39029/30-220
18-8	8	7	16	M39029/29-212	M39029/30-218
		1	12	M39029/29-213	M39029/30-219
18-9	7	5	16	M39029/29-212	M39029/30-218
		2	12	M39029/29-213	M39029/30-219
18-10	4	4	12	M39029/29-213	M39029/30-219

\* C = Constantan, I = Iron

INSERT NUMBER	CONTACTS			CONTACT PART NUMBER	
	TOTAL	QTY	SIZE	PIN	SOCKET
18-11	5	5	12	M39029/29-213	M39029/30-219
18-12	6	6	16	M39029/29-212	M39029/30-218
18-13	4	3	12	M39029/29-213	M39029/30-219
		1	8	M39029/29-214	M39029/30-220
18-14	2	1	16	M39029/29-212	M39029/30-218
		1	4	M39029/29-215	M39029/30-221
18-15	4	2	12C*	M39029/85-458	M39029/86-466
		2	12I*	M39029/85-461	M39029/86-469
18-17	7	5	16	M39029/29-212	M39029/30-218
		2	12	M39029/29-213	M39029/30-219
18-18	7	5	62	M39029/29-212	M39029/30-218
		2		M39029/29-213	M39029/30-219
18-19	10	10	16	M39029/29-212	M39029/30-218
18-20	5	5	16	M39029/29-212	M39029/30-218
18-21	3	3	12	M39029/29-213	M39029/30-219
18-22	3	3	16	M39029/29-212	M39029/30-218
18-23	10	10	16	M39029/29-212	M39029/30-218
18-24	10	10	16	M39029/29-212	M39029/30-218
18-25	2	2	12	M39029/29-213	M39029/30-219
18-26	2	2	12	M39029/29-213	M39029/30-219
18-27	3	1	62	M39029/29-212	M39029/30-218
		2		M39029/29-213	M39029/30-219
18-28	3	1	16	M39029/29-212	M39029/30-218
		2	12	M39029/29-213	M39029/30-219
18-29	5	5	16	M39029/29-212	M39029/30-218
18-30	5	5	16	M39029/29-212	M39029/30-218
18-31	5	5	16	M39029/29-212	M39029/30-218
20-1	14	14	16	M39029/29-212	M39029/30-218
20-2	1	1	1/0	M39029/29-216	M39029/30-222
20-3	3	3	12	M39029/29-213	M39029/30-219
20-4	4	4	12	M39029/29-213	M39029/30-219
20-5	2	2	16	M39029/29-212	M39029/30-218
20-6	3	3	16	M39029/29-212	M39029/30-218
20-7	8	8	16	M39029/29-212	M39029/30-218
20-8	6	4	16	M39029/29-212	M39029/30-218
		2	8	M39029/29-214	M39029/30-220
20-9	8	7	16	M39029/29-212	M39029/30-218
		1	12	M39029/29-213	M39029/30-219
20-10	4	4	16	M39029/29-212	M39029/30-218
20-11	13	13	16	M39029/29-212	M39029/30-218
20-12	2	1	16	M39029/29-212	M39029/30-218
		1	4	M39029/29-215	M39029/30-221
20-14	5	3	12	M39029/29-213	M39029/30-219
		2	8	M39029/29-214	M39029/30-220
20-15	7	7	12	M39029/29-213	M39029/30-219
20-16	9	7	16	M39029/29-212	M39029/30-218
		2	12	M39029/29-213	M39029/30-219
20-17	6	1	16	M39029/29-212	M39029/30-218
		5	12	M39029/29-213	M39029/30-219
20-18	9	6	16	M39029/29-212	M39029/30-218
		3	12	M39029/29-213	M39029/30-219
20-19	3	3	8	M39029/29-214	M39029/30-220
20-20	4	3	12	M39029/29-213	M39029/30-219
		1	4	M39029/29-215	M39029/30-221
20-21	9	8	16	M39029/29-212	M39029/30-218
		1	12	M39029/29-213	M39029/30-219
20-22	6	3	16	M39029/29-212	M39029/30-218
		3	8	M39029/29-214	M39029/30-220

3A

continued on next page

# MIL-C-5015 SERIES III

## CRIMP, REAR RELEASE CONTACTS

TABLE III. INSERT & CONTACT INFORMATION

INSERT NUMBER	CONTACTS			CONTACT PART NUMBER	
	TOTAL	QTY	SIZE	PIN	SOCKET
20-23	2	2	8	M39029/29-214	M39029/30-220
20-24	4	2	16	M39029/29-212	M39029/30-218
				M39029/29-214	M39029/30-220
20-25	13	13	16	M39029/29-212	M39029/30-218
20-26	3	3	12	M39029/29-213	M39029/30-219
20-27	14	14	16	M39029/29-212	M39029/30-218
20-29	17	17	16	M39029/29-212	M39029/30-218
20-30	13	13	16	M39029/29-212	M39029/30-217
20-31	11	11	16	M39029/29-212	M39029/30-218
20-32	8	8	16	M39029/29-212	M39029/30-218
20-33	11	11	16	M39029/29-212	M39029/30-218
22-1	2	2	8	M39029/29-214	M39029/30-220
22-2	3	3	8	M39029/29-214	M39029/30-220
22-3	2	1	16	M39029/29-212	M39029/30-218
				M39029/29-215	M39029/30-221
22-4	4	2	12	M39029/29-213	M39029/30-219
				M39029/29-214	M39029/30-220
22-5	6	4	16	M39029/29-212	M39029/30-218
				M39029/29-213	M39029/30-219
22-6	3	1	16	M39029/29-212	M39029/30-218
				M39029/29-214	M39029/30-220
22-7	1	1	1/0	M39029/29-216	M39029/30-222
22-8	2	2	12	M39029/29-213	M39029/30-219
22-9	3	3	12	M39029/29-213	M39029/30-219
22-10	4	4	16	M39029/29-212	M39029/30-218
22-11	2	2	16	M39029/29-212	M39029/30-218
22-12	5	3	16	M39029/29-212	M39029/30-218
				M39029/29-214	M39029/30-220
22-13	5	1	16	M39029/29-212	M39029/30-218
				M39029/29-213	M39029/30-219
22-14	19	19	16	M39029/29-212	M39029/30-218
22-15	6	1	16	M39029/29-212	M39029/30-218
				M39029/29-213	M39029/30-219
22-16	9	6	16	M39029/29-212	M39029/30-218
				M39029/29-213	M39029/30-219
22-17	9	8	16	M39029/29-212	M39029/30-218
				M39029/29-213	M39029/30-219
22-18	8	8	16	M39029/29-212	M39029/30-218
22-19	14	14	16	M39029/29-212	M39029/30-218
22-20	9	9	16	M39029/29-212	M39029/30-218
22-21	3	2	16	M39029/29-212	M39029/30-218
				M39029/29-216	M39029/30-222
22-22	4	4	8	M39029/29-214	M39029/30-220
22-23	8	8	12	M39029/29-213	M39029/30-219
22-24	6	1	16	M39029/29-212	M39029/30-218
				M39029/29-213	M39029/30-219
22-25	3	2	16	M39029/29-212	M39029/30-218
				M39029/29-216	M39029/30-222
22-26	7	5	16	M39029/29-212	M39029/30-218
				M39029/29-213	M39029/30-219
22-27	9	8	16	M39029/29-212	M39029/30-218
				M39029/29-214	M39029/30-220
22-28	7	7	12	M39029/29-213	M39029/30-219
22-29	7	6	16	M39029/29-212	M39029/30-218
				M39029/29-215	M39029/30-221
22-30	19	19	16	M39029/29-212	M39029/30-218
22-31	2	2	16	M39029/29-212	M39029/30-218

\* C = Constantan, I = Iron

INSERT NUMBER	CONTACTS			CONTACT PART NUMBER	
	TOTAL	QTY	SIZE	PIN	SOCKET
22-32	6	4	16	M39029/29-212	M39029/30-218
				M39029/29-213	M39029/30-219
22-33	7	7	16	M39029/29-212	M39029/30-218
22-34	5	2	16	M39029/29-212	M39029/30-218
				M39029/29-213	M39029/30-219
22-35	3	3	8	M39029/29-214	M39029/30-220
22-36	8	4	12C*	M39029/85-458	M39029/86-466
				12I*	M39029/85-461
24-1	2	1	12	M39029/29-213	M39029/30-219
				M39029/29-216	M39029/30-222
24-2	7	7	12	M39029/29-213	M39029/30-219
24-3	7	5	16	M39029/29-212	M39029/30-218
				M39029/29-213	M39029/30-219
24-4	4	3	12	M39029/29-213	M39029/30-219
				M39029/29-216	M39029/30-222
24-5	16	16	16	M39029/29-212	M39029/30-218
24-6	8	8	12	M39029/29-213	M39029/30-219
24-7	16	14	16	M39029/29-212	M39029/30-218
				M39029/29-213	M39029/30-219
24-9	2	2	4	M39029/29-215	M39029/30-221
24-10	7	7	8	M39029/29-214	M39029/30-220
24-11	9	6	12	M39029/29-213	M39029/30-219
				M39029/29-214	M39029/30-220
24-12	5	3	12	M39029/29-213	M39029/30-219
				M39029/29-215	M39029/30-221
24-14	3	2	12	M39029/29-213	M39029/30-219
				M39029/29-216	M39029/30-222
24-15	16	16	16	M39029/29-212	M39029/30-218
24-16	7	3	16	M39029/29-212	M39029/30-218
				M39029/29-213	M39029/30-219
				M39029/29-214	M39029/30-220
24-17	5	3	16	M39029/29-212	M39029/30-218
				M39029/29-213	M39029/30-219
24-19	12	12	16	M39029/29-212	M39029/30-218
24-20	11	9	16	M39029/29-212	M39029/30-218
				M39029/29-213	M39029/30-219
24-21	10	9	16	M39029/29-212	M39029/30-218
				M39029/29-214	M39029/30-220
24-22	4	4	8	M39029/29-214	M39029/30-220
24-23	5	2	16	M39029/29-212	M39029/30-218
				M39029/29-214	M39029/30-220
24-24	16	16	16	M39029/29-212	M39029/30-218
24-25	8	8	12	M39029/29-213	M39029/30-219
24-26	8	8	12	M39029/29-213	M39029/30-219
24-27	7	7	16	M39029/29-212	M39029/30-218
24-28	24	24	16	M39029/29-212	M39029/30-218
24-80	23	23	16	M39029/29-212	M39029/30-218
28-1	9	6	12	M39029/29-213	M39029/30-219
				M39029/29-214	M39029/30-220
28-2	14	12	16	M39029/29-212	M39029/30-218
				M39029/29-213	M39029/30-219
28-3	3	3	8	M39029/29-214	M39029/30-220
28-4	9	7	62	M39029/29-212	M39029/30-218
				M39029/29-213	M39029/30-219
28-5	5	2	16	M39029/29-212	M39029/30-218
				M39029/29-213	M39029/30-219
				M39029/29-215	M39029/30-221
28-6	3	3	4	M39029/29-215	M39029/30-221
28-7	2	2	4	M39029/29-215	M39029/30-221

continued on next page

# MIL-C-5015 SERIES III

## CRIMP, REAR RELEASE CONTACTS

**TABLE III. INSERT & CONTACT INFORMATION**

INSERT NUMBER	CONTACTS			CONTACT PART NUMBER	
	TOTAL	QTY	SIZE	PIN	SOCKET
28-8	12	10	16	M39029/29-212	M39029/30-218
		2	12	M39029/29-213	M39029/30-219
28-9	12	66	16	M39029/29-212	M39029/30-218
			12	M39029/29-213	M39029/30-219
28-10	7	3	12	M39029/29-213	M39029/30-219
		2	8	M39029/29-214	M39029/30-220
		2	4	M39029/29-215	M39029/30-221
28-11	22	18	16	M39029/29-212	M39029/30-218
		4	12	M39029/29-213	M39029/30-219
28-12	26	26	16	M39029/29-212	M39029/30-218
28-13	26	26	16	M39029/29-212	M39029/30-218
28-14	11	11	16	M39029/29-212	M39029/30-218
28-15	35	35	16	M39029/29-212	M39029/30-218
28-16	20	20	16	M39029/29-212	M39029/30-218
28-17	15	15	16	M39029/29-212	M39029/30-218
28-18	12	12	16	M39029/29-212	M39029/30-218
28-19	10	6	16	M39029/29-212	M39029/30-218
		4	12	M39029/29-213	M39029/30-219
28-20	14	4	16	M39029/29-212	M39029/30-218
		10	12	M39029/29-213	M39029/30-219
28-21	37	37	16	M39029/29-212	M39029/30-218
28-22	6	3	16	M39029/29-212	M39029/30-218
		3	4	M39029/29-215	M39029/30-221
28-23	24	21	16	M39029/29-212	M39029/30-218
		3	8S*	Mfr Supplied	Mfr Supplied
28-24	24	21	16	M39029/29-212	M39029/30-218
		3	8S*	Mfr Supplied	Mfr Supplied
32-1	5	3	12	M39029/29-213	M39029/30-219
		2	1/0	M39029/29-216	M39029/30-222
32-2	5	2	16	M39029/29-212	M39029/30-218
		3	4	M39029/29-215	M39029/30-221
32-3	9	4	16	M39029/29-212	M39029/30-218
		2	12	M39029/29-213	M39029/30-219
		2	4	M39029/29-215	M39029/30-221
		1	1/0	M39029/29-216	M39029/30-222
32-4	14	12	16	M39029/29-212	M39029/30-218
		2	12	M39029/29-213	M39029/30-219
32-5	2	2	1/0	M39029/29-216	M39029/30-222
32-6	23	16	16	M39029/29-212	M39029/30-218
		2	12	M39029/29-213	M39029/30-219
		3	8	M39029/29-214	M39029/30-220
		2	4	M39029/29-215	M39029/30-221
32-7	35	28	16	M39029/29-212	M39029/30-218
		7	12	M39029/29-213	M39029/30-219
32-8	30	24	16	M39029/29-212	M39029/30-218
		6	12	M39029/29-213	M39029/30-219
32-9	14	12	16	M39029/29-212	M39029/30-218
		2	4	M39029/29-215	M39029/30-221
32-10	7	3	16	M39029/29-212	M39029/30-218
		2	8	M39029/29-214	M39029/30-220
		2	4	M39029/29-215	M39029/30-221
32-12	15	10	16	M39029/29-212	M39029/30-218
		5	12	M39029/29-213	M39029/30-219
32-13	23	18	16	M39029/29-212	M39029/30-218
		5	12	M39029/29-213	M39029/30-219
32-14	7	5	12	M39029/29-213	M39029/30-219
		2	4	M39029/29-215	M39029/30-221
32-15	8	6	12	M39029/29-213	M39029/30-219
		2	1/0	M39029/29-216	M39029/30-222

\* C = Constantan, I = Iron

INSERT NUMBER	CONTACTS			CONTACT PART NUMBER	
	TOTAL	QTY	SIZE	PIN	SOCKET
32-16	23	16	16	M39029/29-212	M39029/30-218
		2	12	M39029/29-213	M39029/30-219
		3	8	M39029/29-214	M39029/30-220
		2	4	M39029/29-215	M39029/30-221
32-17	4	4	4	M39029/29-215	M39029/30-221
32-18	14	12	16	M39029/29-212	M39029/30-218
		2	12	M39029/29-213	M39029/30-219
32-19	5	3	12	M39029/29-213	M39029/30-219
		2	1/0	M39029/29-216	M39029/30-222
32-20	23	16	16	M39029/29-212	M39029/30-218
		2	12	M39029/29-213	M39029/30-219
		3	8	M39029/29-214	M39029/30-220
		2	4	M39029/29-215	M39029/30-221
32-22	54	54	16	M39029/29-212	M39029/30-218
32-63	5	5	4	M39029/29-215	M39029/30-221
32-73	46	46	16	M39029/29-212	M39029/30-218
36-1	22	18	16	M39029/29-212	M39029/30-218
		4	12	M39029/29-213	M39029/30-219
36-2	5	2	12	M39029/29-213	M39029/30-219
		3	1/0	M39029/29-216	M39029/30-222
36-3	6	3	12	M39029/29-213	M39029/30-219
		3	1/0	M39029/29-216	M39029/30-222
36-4	3	3	1/0	M39029/29-216	M39029/30-222
36-5	4	4	1/0	M39029/29-216	M39029/30-222
36-6	6	4	4	M39029/29-215	M39029/30-221
		2	1/0	M39029/29-216	M39029/30-222
36-7	47	40	16	M39029/29-212	M39029/30-218
		7	12	M39029/29-213	M39029/30-219
36-8	47	46	16	M39029/29-212	M39029/30-218
		1	12	M39029/29-213	M39029/30-219
36-9	31	14	16	M39029/29-212	M39029/30-218
		14	12	M39029/29-213	M39029/30-219
		2	8	M39029/29-214	M39029/30-220
		1	4	M39029/29-215	M39029/30-221
36-10	48	48	16	M39029/29-212	M39029/30-218
36-11	48	48	16	M39029/29-212	M39029/30-218
36-12	48	48	16	M39029/29-212	M39029/30-218
36-13	17	15	16	M39029/29-212	M39029/30-218
		2	12	M39029/29-213	M39029/30-219
36-14	16	6	16	M39029/29-212	M39029/30-218
		5	12	M39029/29-213	M39029/30-219
		5	8	M39029/29-214	M39029/30-220
36-15	35	35	16	M39029/29-212	M39029/30-218
36-16	47	40	16	M39029/29-212	M39029/30-218
		7	12	M39029/29-213	M39029/30-219
36-17	47	40	16	M39029/29-212	M39029/30-218
		7	12	M39029/29-213	M39029/30-219
36-18	31	14	16	M39029/29-212	M39029/30-218
		14	12	M39029/29-213	M39029/30-219
		2	8	M39029/29-214	M39029/30-220
		1	4	M39029/29-215	M39029/30-221
36-19	17	10	16	M39029/29-212	M39029/30-218
		5	12	M39029/29-213	M39029/30-219
		1	4	M39029/29-215	M39029/30-221
		1	1/0	M39029/29-216	M39029/30-222
36-20	34	30	16	M39029/29-212	M39029/30-218
		2	12	M39029/29-213	M39029/30-219
		2	8	M39029/29-214	M39029/30-220

3A

continued on next page

# MIL-C-5015 SERIES III

## CRIMP, REAR RELEASE CONTACTS

TABLE III. INSERT & CONTACT INFORMATION

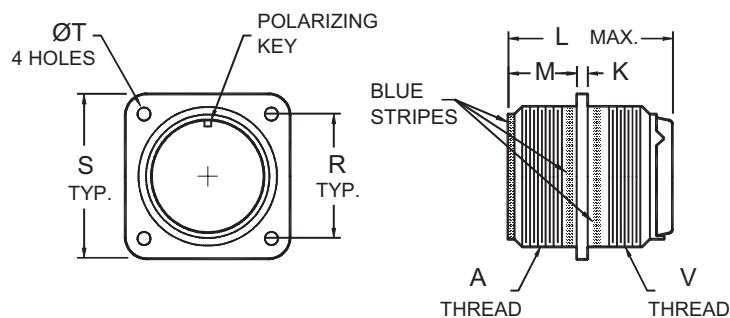
INSERT NUMBER	CONTACTS			CONTACT PART NUMBER	
	TOTAL	QTY	SIZE	PIN	SOCKET
36-21	31	14	16	M39029/29-212	M39029/30-218
		14	12	M39029/29-213	M39029/30-219
		2	8	M39029/29-214	M39029/30-220
		1	4	M39029/29-215	M39029/30-221
36-52	52	52	16	M39029/29-212	M39029/30-218
36-66	56	52	16	M39029/29-212	M39029/30-218
		4	12	M39029/29-213	M39029/30-219
40-1	30	24	16	M39029/29-212	M39029/30-218
		6	12	M39029/29-213	M39029/30-219
40-2	23	23	16	M39029/29-212	M39029/30-218
40-3	23	18	16	M39029/29-212	M39029/30-218
		4	12	M39029/29-213	M39029/30-219
		1	4	M39029/29-215	M39029/30-221
40-4	23	16	16	M39029/29-212	M39029/30-218
		2	12	M39029/29-213	M39029/30-219
		3	8	M39029/29-214	M39029/30-220
		2	4	M39029/29-215	M39029/30-221
40-5	15	6	12	M39029/29-213	M39029/30-219
		4	8	M39029/29-214	M39029/30-220
		2	4	M39029/29-215	M39029/30-221
		3	1/0	M39029/29-216	M39029/30-222
40-6	26	24	16	M39029/29-212	M39029/30-218
		1	12	M39029/29-213	M39029/30-219
		1	1/0	M39029/29-216	M39029/30-222

INSERT NUMBER	CONTACTS			CONTACT PART NUMBER	
	TOTAL	QTY	SIZE	PIN	SOCKET
40-7	22	18	16	M39029/29-212	M39029/30-218
		2	12	M39029/29-213	M39029/30-219
		2	1/0	M39029/29-216	M39029/30-222
40-9	47	24	16	M39029/29-212	M39029/30-218
		22	12	M39029/29-213	M39029/30-219
		1	8	M39029/29-214	M39029/30-220
40-10	29	16	16	M39029/29-212	M39029/30-218
		9	8	M39029/29-214	M39029/30-220
		4	4	M39029/29-215	M39029/30-221
40-11	25	18	16	M39029/29-212	M39029/30-218
		4	12	M39029/29-213	M39029/30-219
		1	8	M39029/29-214	M39029/30-220
		1	4	M39029/29-215	M39029/30-221
		1	1/0	M39029/29-216	M39029/30-222
40-12	29	22	16	M39029/29-212	M39029/30-218
		6	12	M39029/29-213	M39029/30-219
		1	1/0	M39029/29-216	M39029/30-222
		1	1/0	M39029/29-216	M39029/30-222
40-13	23	23	16	M39029/29-212	M39029/30-218
40-14	32	21	16	M39029/29-212	M39029/30-218
		10	12	M39029/29-213	M39029/30-219
		1	1/0	M39029/29-216	M39029/30-222
40-56	85	85	16	M39029/29-212	M39029/30-218
40-62	60	60	16	M39029/29-212	M39029/30-218

\* C = Constantan, I = Iron

### CONTACT TOOLING INFORMATION

CONTACT PART NUMBER (REFERENCE)	INSERTION TOOL	REMOVAL TOOL		WIRE SIZE	TOOL FRAME		POSITIONER/LOCATOR		CRIMP DIE
		WIRED CONTACT	UNWIRED CONTACT		PART NUMBER	SETTING	PART NUMBER	COLOR	PART NUMBER
M39029/29-212	M81969/14-03	M81969/14-03	M81969/30-06	16-20	M22520/1-01 M22520/7-01	-	M22520/1-02 M22520/7-03	Blue -	-
M39029/29-213	M81969/14-04	M81969/14-04	M81969/30-07	12-14	M22520/1-01	-	M22520/1-02	Yellow	-
M39029/29-214	By Hand	M81969/29-02	-	8	M22520/23-01	-	M22520/23-09	-	M22520/23-02
M39029/29-215	By Hand	M81969/29-03	-	4	M22520/23-01	-	M22520/23-11	-	M22520/23-04
M39029/29-216	By Hand	M81969/29-04	-	1/0	M22520/23-01	-	M22520/23-13	-	M22520/23-05
M39029/30-217	M81969/14-03	M81969/14-03	M81969/30-05	16-20	M22520/1-01	-	M22520/1-02	Blue	-
M39029/30-218	M81969/14-03	M81969/14-03	M81969/30-06	16-20	M22520/1-01	-	M22520/1-02	Blue	-
M39029/30-219	M81969/14-04	M81969/14-04	M81969/30-07	12-14	M22520/1-01	-	M22520/1-02	Yellow	-
M39029/30-220	By Hand	M81969/29-02	-	8	M22520/23-01	-	M22520/23-09	-	M22520/23-02
M39029/30-221	By Hand	M81969/29-03	-	4	M22520/23-01	-	M22520/23-11	-	M22520/23-04
M39029/30-222	By Hand	M81969/29-04	-	1/0	M22520/23-01	-	M22520/23-13	-	M22520/23-05



3A

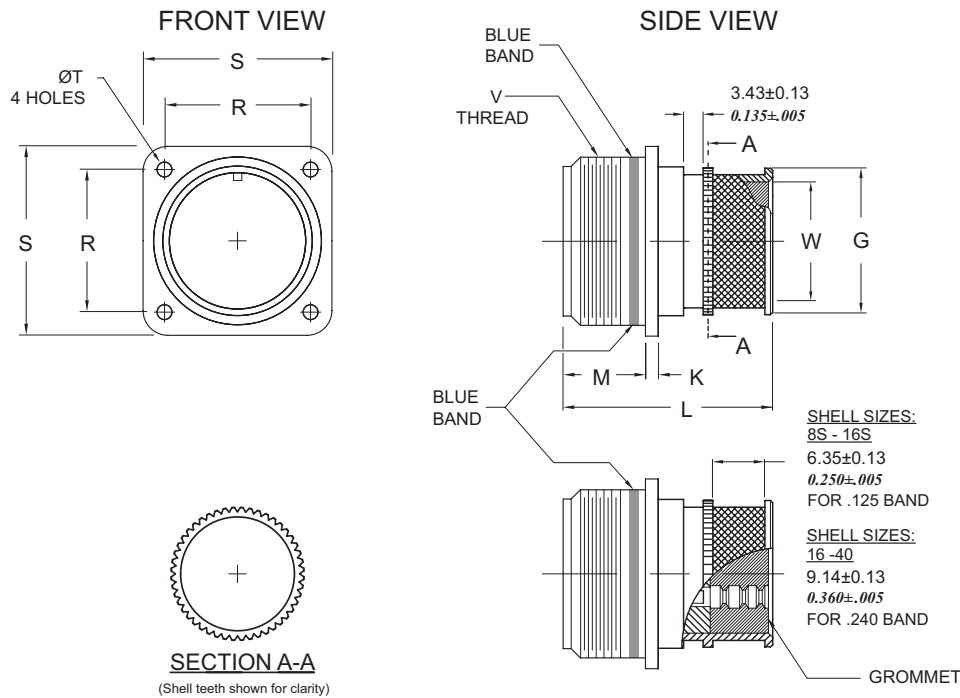
**SC50\* Environmental**

SHELL SIZE	A COUPLING THREAD CLASS 2A	K ±.015 [±0.38]	L MAX.		M +.031 -.000 [+0.79] [-0.00]	R T.P. C <sub>L</sub> - C <sub>L</sub>	S ±.031 [±0.79]	T +.010 -.005 [+0.25] [-0.13]		V ACCESSORY THREAD CLASS 2A
			CONTACT SIZE					CLASS		
			16 & 12	8,4 & 0				K	D,L,U,W	
8S	1/2-28 UNEF	.083 [2.11]	2.031 [51.59]	-	.562 [14.27]	.594 [15.09]	.875 [22.22]	.150 [3.81]	.120 [3.05]	1/2-20 UNF
10S	5/8-24 UNEF	.083 [2.11]	2.031 [51.59]	-	.562 [14.27]	.719 [18.26]	1.000 [25.40]	.150 [3.81]	.120 [3.05]	5/8-24 UNEF
10SL	5/8-24 UNEF	.083 [2.11]	2.031 [51.59]	-	.562 [14.27]	.719 [18.26]	1.000 [25.40]	.150 [3.81]	.120 [3.05]	5/8-24 UNEF
12S	3/4-20 UNEF	.083 [2.11]	2.031 [51.59]	-	.562 [14.27]	.812 [20.62]	1.094 [27.79]	.150 [3.81]	.120 [3.05]	3/4-20 UNEF
12	3/4-20 UNEF	.083 [2.11]	2.125 [53.97]	-	.750 [19.05]	.812 [20.62]	1.094 [27.79]	.150 [3.81]	.120 [3.05]	3/4-20 UNEF
14S	7/8-20 UNEF	.083 [2.11]	2.031 [51.59]	-	.562 [14.27]	.906 [23.01]	1.188 [30.18]	.150 [3.81]	.120 [3.05]	7/8-20 UNEF
14	7/8-20 UNEF	.083 [2.11]	2.125 [53.97]	-	.750 [19.05]	.906 [23.01]	1.188 [30.18]	.150 [3.81]	.120 [3.05]	7/8-20 UNEF
16S	1-20 UNEF	.083 [2.11]	2.031 [51.59]	-	.562 [14.27]	.969 [24.61]	1.281 [32.54]	.150 [3.81]	.120 [3.05]	1-20 UNEF
16	1-20 UNEF	.083 [2.11]	2.125 [53.97]	2.500 [63.50]	.750 [19.05]	.969 [24.61]	1.281 [32.54]	.150 [3.81]	.120 [3.05]	1-20 UNEF
18	1 1/8-18 UNEF	.125 [3.17]	2.125 [53.97]	2.500 [63.50]	.750 [19.05]	1.062 [26.97]	1.375 [34.92]	.177 [4.50]	.120 [3.05]	1 1/16-18 UNEF
20	1 1/4-18 UNEF	.125 [3.17]	2.125 [53.97]	2.500 [63.50]	.750 [19.05]	1.156 [29.36]	1.500 [38.10]	.177 [4.50]	.120 [3.05]	1 3/16-18 UNEF
22	1 3/8-18 UNEF	.125 [3.17]	2.125 [53.97]	2.500 [63.50]	.750 [19.05]	1.250 [31.75]	1.625 [41.27]	.177 [4.50]	.120 [3.05]	1 5/16-18 UNEF
24	1 1/2-18 UNEF	.125 [3.17]	2.125 [53.97]	2.500 [63.50]	.812 [20.62]	1.375 [34.92]	1.750 [44.45]	.177 [4.50]	.147 [3.73]	1 7/16-18 UNEF
28	1 3/4-18 UNS	.125 [3.17]	2.125 [53.97]	2.500 [63.50]	.812 [20.62]	1.562 [39.67]	2.000 [50.80]	.177 [4.50]	.147 [3.73]	1 3/4-18 UNS
32	2-18 UNS	.125 [3.17]	2.125 [53.97]	2.500 [63.50]	.875 [22.22]	1.750 [44.45]	2.250 [57.15]	.209 [5.31]	.173 [4.39]	2-18 UNS
36	2 1/4-16 UN	.125 [3.17]	2.125 [53.97]	2.500 [63.50]	.875 [22.22]	1.938 [49.22]	2.500 [63.50]	.209 [5.31]	.173 [4.39]	2 1/4-16 UN
40	2 1/2-16 UN	.125 [3.17]	2.125 [53.97]	2.500 [63.50]	.875 [22.22]	2.188 [55.58]	2.750 [69.85]	.209 [5.31]	.173 [4.39]	2 1/2-16 UN
44	2 3/4-16 UN	.125 [3.17]	2.125 [53.97]	2.500 [63.50]	.875 [22.22]	2.375 [60.32]	3.000 [76.20]	.209 [5.31]	.173 [4.39]	2 3/4-16 UN
48	3-16 UN	.125 [3.17]	2.125 [53.97]	2.500 [63.50]	.875 [22.22]	2.625 [66.67]	3.250 [82.55]	.209 [5.31]	.173 [4.39]	3-16 UN

Dimensions in brackets [ ] are in millimeters.

# WALL MOUNT RECEPTACLE CRIMP, REAR RELEASE CONTACTS (MS3450)

## SC50SV



### SC50SV\* Environmental

SHELL SIZE	FRONT VIEW				SIDE VIEW					
	R ±.005 [±0.13]	S ±.031 [±0.79]	T +.010 [+0.25] -.005 [-0.13]		G MAX	K ±.015 [±0.38]	L MAX	M +.031 [+0.79] -.000 [-0.00]	W ±.005 [±0.13]	V THREAD CLASS 2A
			CLASS							
			K	D,L,U,W						
8S	0.594 [15.09]	0.875 [22.22]	0.150 [3.81]	0.120 [3.05]	*	0.083 [2.11]	2.031 [51.59]	0.562 [14.27]	*	.500-28 UNEF
10SL	0.719 [18.26]	1.000 [25.40]	0.150 [3.81]	0.120 [3.05]	0.632 [16.1]	0.083 [2.11]	2.031 [51.59]	0.562 [14.27]	0.502 [12.8]	.625-24 UNEF
10S	0.719 [18.26]	1.000 [25.40]	0.150 [3.81]	0.120 [3.05]	0.632 [16.1]	0.083 [2.11]	2.031 [51.59]	0.562 [14.27]	0.502 [12.8]	.625-24 UNEF
12S	0.812 [20.62]	1.094 [27.79]	0.150 [3.81]	0.120 [3.05]	0.755 [19.2]	0.083 [2.11]	2.031 [51.59]	0.562 [14.27]	0.618 [15.7]	.750-20 UNEF
12	0.812 [20.62]	1.094 [27.79]	0.150 [3.81]	0.120 [3.05]	0.755 [19.2]	0.083 [2.11]	2.125 [53.97]	0.750 [19.05]	0.618 [15.7]	.750-20 UNEF
14S	0.906 [23.01]	1.188 [30.18]	0.150 [3.81]	0.120 [3.05]	0.880 [22.4]	0.083 [2.11]	2.031 [51.59]	0.562 [14.27]	0.743 [18.9]	.875-20 UNEF
14	0.906 [23.01]	1.188 [30.18]	0.150 [3.81]	0.120 [3.05]	0.880 [22.4]	0.083 [2.11]	2.125 [53.97]	0.750 [19.05]	0.743 [18.9]	.875-20 UNEF
16S	0.969 [24.61]	1.281 [32.54]	0.150 [3.81]	0.120 [3.05]	1.005 [25.5]	0.083 [2.11]	2.031 [51.59]	0.562 [14.27]	0.868 [22.1]	1.000-20 UNEF
16	0.969 [24.61]	1.281 [32.54]	0.150 [3.81]	0.120 [3.05]	1.005 [25.5]	0.083 [2.11]	2.500 [63.50]	0.750 [19.05]	0.868 [22.1]	1.000-20 UNEF
18	1.062 [26.97]	1.375 [34.92]	0.177 [4.50]	0.120 [3.05]	1.065 [27.1]	0.125 [3.17]	2.500 [63.50]	0.750 [19.05]	0.924 [23.5]	1.125-18 UNEF
20	1.156 [29.36]	1.500 [38.10]	0.177 [4.50]	0.120 [3.05]	1.190 [30.2]	0.125 [3.17]	2.500 [63.50]	0.750 [19.05]	1.049 [26.6]	1.250-18 UNEF
22	1.250 [31.75]	1.625 [41.27]	0.177 [4.50]	0.120 [3.05]	1.315 [33.4]	0.125 [3.17]	2.500 [63.50]	0.750 [19.05]	1.174 [29.8]	1.375-18 UNEF
24	1.375 [34.92]	1.750 [44.45]	0.177 [4.50]	0.147 [3.73]	1.440 [36.6]	0.125 [3.17]	2.500 [63.50]	0.812 [20.62]	1.299 [33.0]	1.500-18 UNEF
28	1.562 [39.67]	2.000 [50.80]	0.177 [4.50]	0.147 [3.73]	1.750 [44.5]	0.125 [3.17]	2.500 [63.50]	0.812 [20.62]	1.520 [38.6]	1.750-18 UNS
32	1.750 [44.45]	2.250 [57.15]	0.209 [5.31]	0.173 [4.39]	2.000 [50.8]	0.125 [3.17]	2.500 [63.50]	0.875 [22.22]	1.770 [45.0]	2.000-18 UNS
36	1.938 [49.23]	2.500 [63.50]	0.209 [5.31]	0.173 [4.39]	2.250 [57.2]	0.125 [3.17]	2.500 [63.50]	0.875 [22.22]	1.985 [50.4]	2.250-16 UN
40	2.188 [55.58]	2.750 [69.85]	0.209 [5.31]	0.173 [4.39]	2.500 [63.5]	0.125 [3.17]	2.500 [63.50]	0.875 [22.22]	2.200 [55.9]	2.500-16 UN

Dimensions in brackets [ ] are in millimeters.

\* Consult Factory

3A-8



**SPACECRAFT  
COMPONENTS CORP.**

Distributed by:

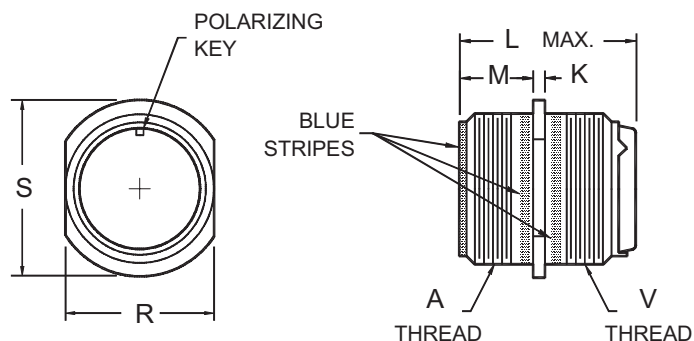
Eastern Connector Specialty

Phone: 860-355-8100

Fax: 860-355-5411

Email: Sales@easternconnector.com

Web: www.easternconnector.com



3A

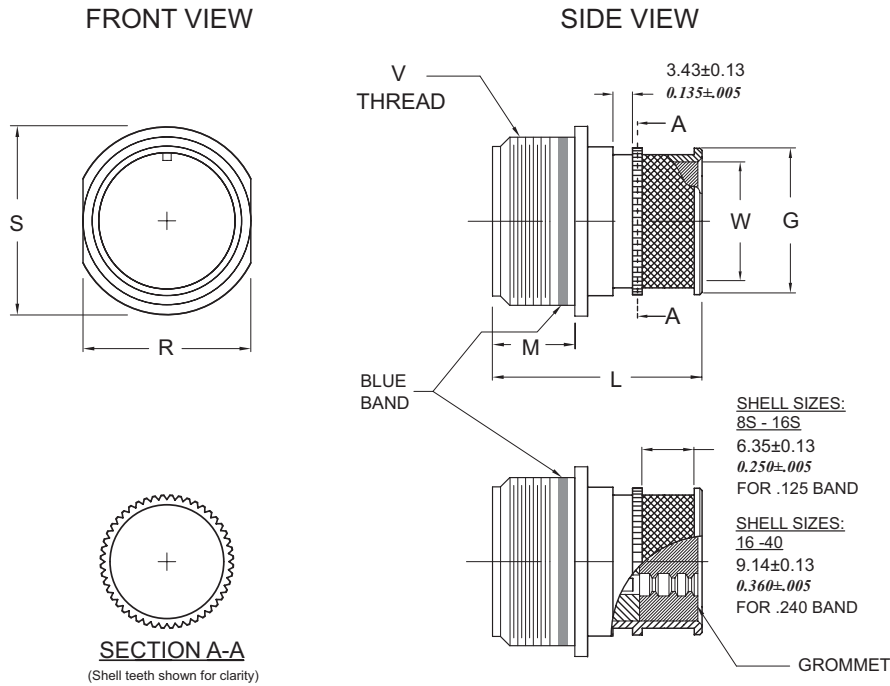
SC51\* Environmental

SHELL SIZE	A COUPLING THREAD CLASS 2A	K ±.015 [±0.38]	L MAX.		M +.031 -.000 [+0.79] [-0.00]	R		S ±.031 [±0.79]	V ACCESSORY THREAD CLASS 2A
			CONTACT SIZE			MAX.	MIN.		
			16 & 12	8,4 & 0					
8S	1/2-28 UNEF	.083 [2.11]	2.031 [51.59]	-	.562 [14.27]	.504 [12.80]	.496 [12.60]	.729 [18.52]	1/2-20 UNF
10S	5/8-24 UNEF	.083 [2.11]	2.031 [51.59]	-	.562 [14.27]	.629 [15.98]	.621 [15.77]	.854 [21.69]	5/8-24 UNEF
10SL	5/8-24 UNEF	.083 [2.11]	2.031 [51.59]	-	.562 [14.27]	.629 [15.98]	.621 [15.77]	.854 [21.69]	5/8-24 UNEF
12S	3/4-20 UNEF	.083 [2.11]	2.031 [51.59]	-	.562 [14.27]	.754 [19.15]	.746 [18.95]	.974 [24.74]	3/4-20 UNEF
12	3/4-20 UNEF	.083 [2.11]	2.125 [53.97]	-	.750 [19.05]	.754 [19.15]	.746 [18.95]	.974 [24.74]	3/4-20 UNEF
14S	7/8-20 UNEF	.083 [2.11]	2.031 [51.59]	-	.562 [14.27]	.879 [22.33]	.871 [22.12]	1.099 [27.91]	7/8-20 UNEF
14	7/8-20 UNEF	.083 [2.11]	2.125 [53.97]	-	.750 [19.05]	.879 [22.33]	.871 [22.12]	1.099 [27.91]	7/8-20 UNEF
16S	1-20 UNEF	.083 [2.11]	2.031 [51.59]	-	.562 [14.27]	1.005 [25.53]	.996 [25.30]	1.224 [31.09]	1-20 UNEF
16	1-20 UNEF	.083 [2.11]	2.125 [53.97]	2.500 [63.50]	.750 [19.05]	1.005 [25.53]	.996 [25.30]	1.224 [31.09]	1-20 UNEF
18	1 1/8-18 UNEF	.125 [3.17]	2.125 [53.97]	2.500 [63.50]	.750 [19.05]	1.131 [28.73]	1.121 [28.47]	1.349 [34.26]	1 1/16-18 UNEF
20	1 1/4-18 UNEF	.125 [3.17]	2.125 [53.97]	2.500 [63.50]	.750 [19.05]	1.256 [31.90]	1.246 [31.65]	1.474 [37.44]	1 3/16-18 UNEF
22	1 3/8-18 UNEF	.125 [3.17]	2.125 [53.97]	2.500 [63.50]	.750 [19.05]	1.381 [35.08]	1.371 [34.82]	1.599 [40.61]	1 5/16-18 UNEF
24	1 1/2-18 UNEF	.125 [3.17]	2.125 [53.97]	2.500 [63.50]	.812 [20.62]	1.506 [38.25]	1.496 [38.00]	1.715 [43.56]	1 7/16-18 UNEF
28	1 3/4-18 UNS	.125 [3.17]	2.125 [53.97]	2.500 [63.50]	.812 [20.62]	1.756 [44.60]	1.746 [44.35]	1.974 [50.14]	1 3/4-18 UNS
32	2-18 UNS	.125 [3.17]	2.125 [53.97]	2.500 [63.50]	.875 [22.22]	2.007 [50.98]	1.996 [50.70]	2.224 [56.49]	2-18 UNS
36	2 1/4-16 UN	.125 [3.17]	2.125 [53.97]	2.500 [63.50]	.875 [22.22]	2.257 [57.33]	2.246 [57.05]	2.474 [62.84]	2 1/4-16 UN
40	2 1/2-16 UN	.125 [3.17]	2.125 [53.97]	2.500 [63.50]	.875 [22.22]	2.511 [63.78]	2.496 [63.40]	2.724 [69.19]	2 1/2-16 UN
44	2 3/4-16 UN	.125 [3.17]	2.125 [53.97]	2.500 [63.50]	.875 [22.22]	2.761 [70.13]	2.746 [69.75]	2.974 [75.54]	2 3/4-16 UN
48	3-16 UN	.125 [3.17]	2.125 [53.97]	2.500 [63.50]	.875 [22.22]	3.011 [76.48]	2.996 [76.10]	3.224 [81.89]	3-16 UN

Dimensions in brackets [ ] are in millimeters.

# IN-LINE RECEPTACLE CRIMP, REAR RELEASE CONTACTS (MS3451)

## SC51SV



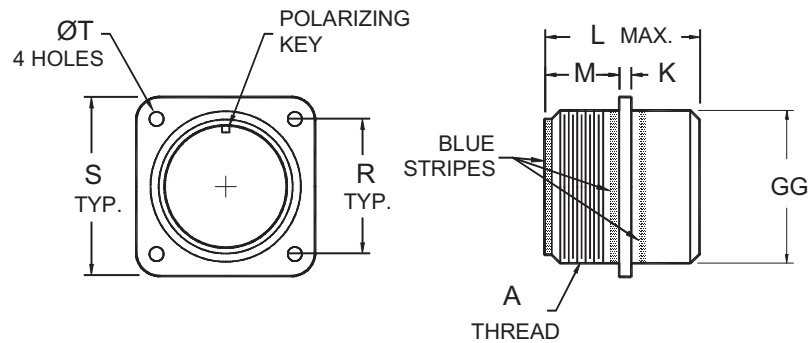
### SC51SV\* Environmental

SHELL SIZE	FRONT VIEW		SIDE VIEW					V THREAD CLASS 2A
	R		S ±.031 [±0.79]	G MAX	L MAX	M +.031 [+0.79] -0.000 [-0.00]	W ±0.05 [±0.13]	
	MAX	MIN						
8S	0.504 [12.80]	0.496 [12.60]	0.729 [18.52]	*	2.031 [51.59]	0.562 [14.27]	*	.500-28 UNEF
10SL	0.629 [15.98]	0.621 [15.77]	0.854 [21.69]	0.632 [16.1]	2.031 [51.59]	0.562 [14.27]	0.502 [12.8]	.625-24 UNEF
10S	0.629 [15.98]	0.621 [15.77]	0.854 [21.69]	0.632 [16.1]	2.031 [51.59]	0.562 [14.27]	0.502 [12.8]	.625-24 UNEF
12S	0.754 [19.15]	0.746 [18.95]	0.974 [24.74]	0.755 [19.2]	2.031 [51.59]	0.562 [14.27]	0.618 [15.7]	.750-20 UNEF
12	0.754 [19.15]	0.746 [18.95]	0.974 [24.74]	0.755 [19.2]	2.125 [53.97]	0.750 [19.05]	0.618 [15.7]	.750-20 UNEF
14S	0.879 [22.33]	0.871 [22.12]	1.099 [27.91]	0.880 [22.4]	2.031 [51.59]	0.562 [14.27]	0.743 [18.9]	.875-20 UNEF
14	0.879 [22.33]	0.871 [22.12]	1.099 [27.91]	0.880 [22.4]	2.125 [53.97]	0.750 [19.05]	0.743 [18.9]	.875-20 UNEF
16S	1.005 [25.53]	0.996 [25.30]	1.224 [31.09]	1.005 [25.5]	2.031 [51.59]	0.562 [14.27]	0.868 [22.1]	1.000-20 UNEF
16	1.005 [25.53]	0.996 [25.30]	1.224 [31.09]	1.005 [25.5]	2.500 [63.50]	0.750 [19.05]	0.868 [22.1]	1.000-20 UNEF
18	1.131 [28.73]	1.121 [28.47]	1.349 [34.26]	1.065 [27.1]	2.500 [63.50]	0.750 [19.05]	0.924 [23.5]	1.125-18 UNEF
20	1.256 [31.90]	1.246 [31.65]	1.474 [37.44]	1.190 [30.2]	2.500 [63.50]	0.750 [19.05]	1.049 [26.6]	1.250-18 UNEF
22	1.381 [35.08]	1.371 [34.82]	1.599 [40.61]	1.315 [33.4]	2.500 [63.50]	0.750 [19.05]	1.174 [29.8]	1.375-18 UNEF
24	1.506 [38.25]	1.496 [38.00]	1.715 [43.56]	1.440 [36.6]	2.500 [63.50]	0.812 [20.62]	1.299 [33.0]	1.500-18 UNEF
28	1.756 [44.60]	1.746 [44.35]	1.974 [50.14]	1.750 [44.5]	2.500 [63.50]	0.812 [20.62]	1.520 [38.6]	1.750-18 UNS
32	2.007 [50.98]	1.996 [50.70]	2.224 [56.49]	2.000 [50.8]	2.500 [63.50]	0.875 [22.22]	1.770 [45.0]	2.000-18 UNS
36	2.257 [57.33]	2.246 [57.05]	2.474 [62.84]	2.250 [57.2]	2.500 [63.50]	0.875 [22.22]	1.985 [50.4]	2.250-16 UN
40	2.511 [63.78]	2.496 [63.40]	2.724 [69.19]	2.500 [63.5]	2.500 [63.50]	0.875 [22.22]	2.200 [55.9]	2.500-16 UN

Dimensions in brackets [ ] are in millimeters.

\* Consult Factory





3A

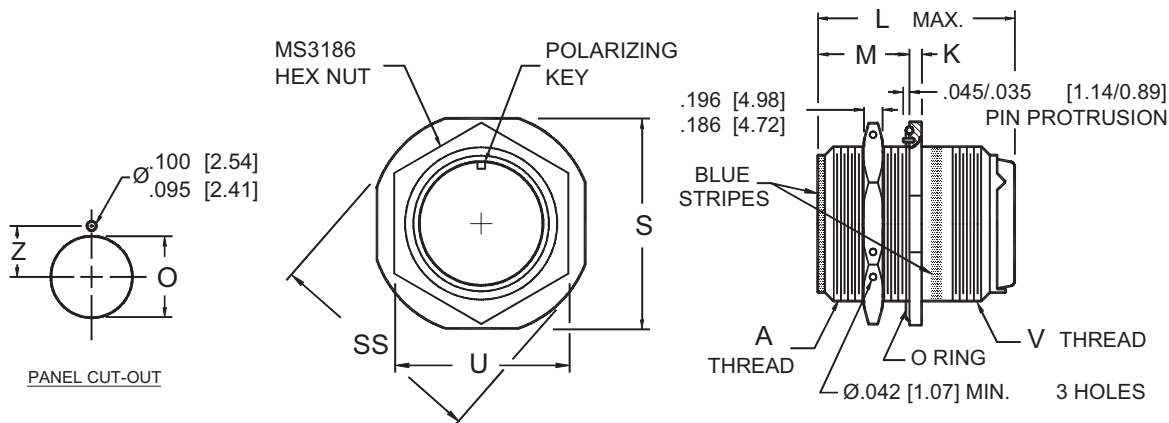
SC52\* Environmental

SHELL SIZE	A COUPLING THREAD CLASS 2A	K ±.015 [±0.38]	L MAX.		M +.031 -.000 [+0.79] [-0.00]	R T.P. C <sub>L</sub> - C <sub>L</sub>	S ±.031 [±0.79]	T +.010 -.005 [+0.25] [-0.13]	ØGG ±.016 [±0.41]
			CONTACT SIZE						
			16 & 12	8,4 & 0					
8S	1/2-28 UNEF	.083 [2.11]	1.662 [42.21]	-	.562 [14.27]	.594 [15.09]	.875 [22.22]	.120 [3.05]	.500 [12.70]
10S	5/8-24 UNEF	.083 [2.11]	1.662 [42.21]	-	.562 [14.27]	.719 [18.26]	1.000 [25.40]	.120 [3.05]	.625 [15.87]
10SL	5/8-24 UNEF	.083 [2.11]	1.662 [42.21]	-	.562 [14.27]	.719 [18.26]	1.000 [25.40]	.120 [3.05]	.625 [15.87]
12S	3/4-20 UNEF	.083 [2.11]	1.662 [42.21]	-	.562 [14.27]	.812 [20.62]	1.094 [27.79]	.120 [3.05]	.750 [19.05]
12	3/4-20 UNEF	.083 [2.11]	1.662 [42.21]	-	.750 [19.05]	.812 [20.62]	1.094 [27.79]	.120 [3.05]	.750 [19.05]
14S	7/8-20 UNEF	.083 [2.11]	1.662 [42.21]	-	.562 [14.27]	.906 [23.01]	1.188 [30.18]	.120 [3.05]	.875 [22.22]
14	7/8-20 UNEF	.083 [2.11]	1.662 [42.21]	-	.750 [19.05]	.906 [23.01]	1.188 [30.18]	.120 [3.05]	.875 [22.22]
16S	1-20 UNEF	.083 [2.11]	1.662 [42.21]	-	.562 [14.27]	.969 [24.61]	1.281 [32.54]	.120 [3.05]	1.000 [25.40]
16	1-20 UNEF	.083 [2.11]	1.662 [42.21]	1.937 [49.20]	.750 [19.05]	.969 [24.61]	1.281 [32.54]	.120 [3.05]	1.000 [25.40]
18	1 1/8-18 UNEF	.125 [3.17]	1.662 [42.21]	1.937 [49.20]	.750 [19.05]	1.062 [26.97]	1.375 [34.92]	.120 [3.05]	1.062 [26.97]
20	1 1/4-18 UNEF	.125 [3.17]	1.662 [42.21]	1.937 [49.20]	.750 [19.05]	1.156 [29.36]	1.500 [38.10]	.120 [3.05]	1.187 [30.15]
22	1 3/8-18 UNEF	.125 [3.17]	1.662 [42.21]	1.937 [49.20]	.750 [19.05]	1.250 [31.75]	1.625 [41.27]	.120 [3.05]	1.312 [33.32]
24	1 1/2-18 UNEF	.125 [3.17]	1.662 [42.21]	1.937 [49.20]	.812 [20.62]	1.375 [34.92]	1.750 [44.45]	.147 [3.73]	1.437 [36.50]
28	1 3/4-18 UNS	.125 [3.17]	1.662 [42.21]	1.937 [49.20]	.812 [20.62]	1.562 [39.67]	2.000 [50.80]	.147 [3.73]	1.750 [44.45]
32	2-18 UNS	.125 [3.17]	1.662 [42.21]	1.937 [49.20]	.875 [22.22]	1.750 [44.45]	2.250 [57.15]	.173 [4.39]	2.000 [50.80]
36	2 1/4-16 UN	.125 [3.17]	1.662 [42.21]	1.937 [49.20]	.875 [22.22]	1.938 [49.22]	2.500 [63.50]	.173 [4.39]	2.250 [57.15]
40	2 1/2-16 UN	.125 [3.17]	1.662 [42.21]	1.937 [49.20]	.875 [22.22]	2.188 [55.58]	2.750 [69.85]	.173 [4.39]	2.500 [63.50]
44	2 3/4-16 UN	.125 [3.17]	1.662 [42.21]	1.937 [49.20]	.875 [22.22]	2.375 [60.32]	3.000 [76.20]	.173 [4.39]	2.750 [69.85]
48	3-16 UN	.125 [3.17]	1.662 [42.21]	1.937 [49.20]	.875 [22.22]	2.625 [66.67]	3.250 [82.55]	.173 [4.39]	3.000 [76.20]

Dimensions in brackets [ ] are in millimeters.

# JAM NUT RECEPTACLE CRIMP, REAR RELEASE CONTACTS

## SC54

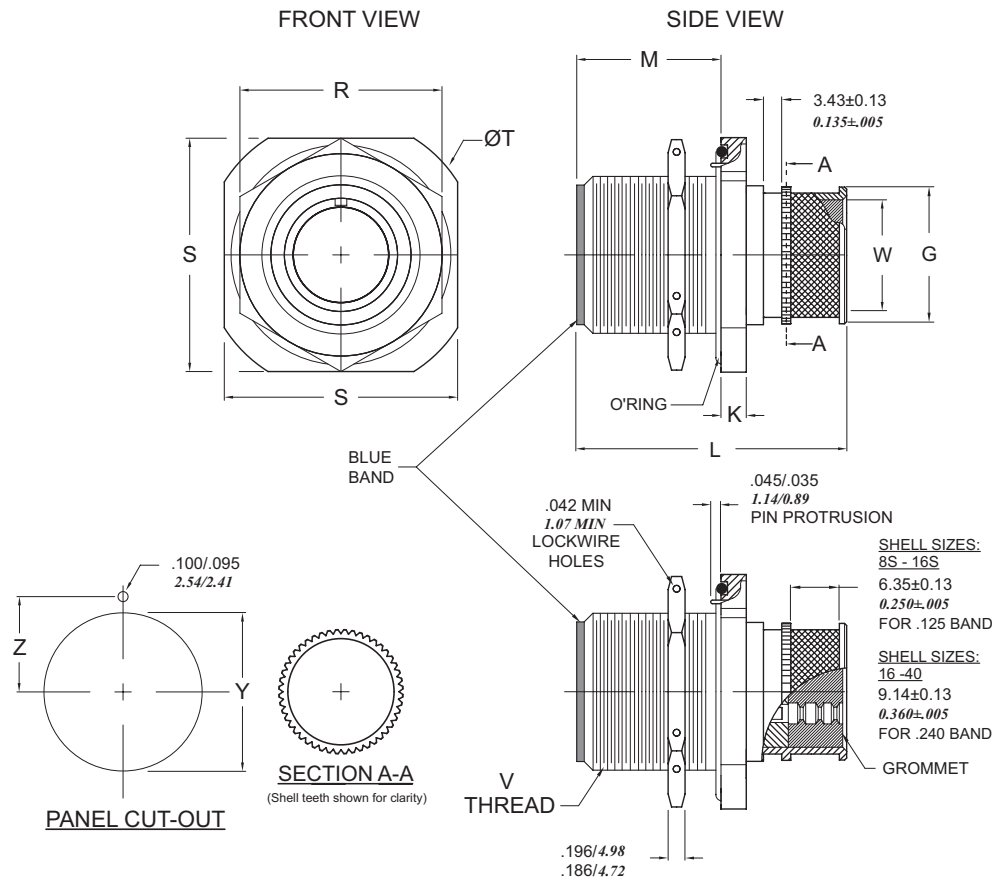


**SC54\* Environmental**

SHELL SIZE	A COUPLING THREAD CLASS 2A	K ±.005 [±0.13]	L MAX.		M ±.005 [±0.13]	S ±.005 [±0.13]	ØSS ±.005 [±0.13]	U ±.010 [±0.25]	ØO +.015 -.000 [+0.38] [-0.00]	Z ±.005 [±0.13]	V ACCESSORY THREAD CLASS 2A
			CONTACT SIZE								
			16 & 12	8,4 & 0							
8S	1/2-28 UNEF	.115 [2.92]	2.031 [51.59]	-	.720 [18.29]	1.187 [30.15]	1.272 [32.31]	.687 [17.45]	.505 [12.83]	.323 [8.20]	1/2-20 UNF
10S	5/8-24 UNEF	.115 [2.92]	2.031 [51.59]	-	.720 [18.29]	1.312 [33.32]	1.397 [35.48]	.812 [20.62]	.630 [16.00]	.385 [9.78]	5/8-24 UNEF
10SL	5/8-24 UNEF	.115 [2.92]	2.031 [51.59]	-	.720 [18.29]	1.312 [33.32]	1.397 [35.48]	.812 [20.62]	.630 [16.00]	.385 [9.78]	5/8-24 UNEF
12S	3/4-20 UNEF	.115 [2.92]	2.031 [51.59]	-	.720 [18.29]	1.437 [36.50]	1.522 [38.66]	.937 [23.80]	.755 [19.18]	.448 [11.38]	3/4-20 UNEF
12	3/4-20 UNEF	.115 [2.92]	2.125 [53.97]	-	.970 [24.64]	1.437 [36.50]	1.522 [38.66]	.937 [23.80]	.755 [19.18]	.448 [11.38]	3/4-20 UNEF
14S	7/8-20 UNEF	.115 [2.92]	2.031 [51.59]	-	.720 [18.29]	1.562 [39.67]	1.647 [41.83]	1.125 [28.57]	.880 [22.35]	.510 [12.95]	7/8-20 UNEF
14	7/8-20 UNEF	.115 [2.92]	2.125 [53.97]	-	.970 [24.64]	1.562 [39.67]	1.647 [41.83]	1.125 [28.57]	.880 [22.35]	.510 [12.95]	7/8-20 UNEF
16S	1-20 UNEF	.115 [2.92]	2.031 [51.59]	-	.720 [18.29]	1.687 [42.85]	1.772 [45.01]	1.250 [31.75]	1.005 [25.53]	.573 [14.55]	1-20 UNEF
16	1-20 UNEF	.115 [2.92]	2.125 [53.97]	2.500 [63.50]	.970 [24.64]	1.687 [42.85]	1.772 [45.01]	1.250 [31.75]	1.005 [25.53]	.573 [14.55]	1-20 UNEF
18	1 1/8-18 UNEF	.115 [2.92]	2.125 [53.97]	2.500 [63.50]	.970 [24.64]	1.812 [46.02]	1.897 [48.18]	1.375 [34.92]	1.130 [28.70]	.635 [16.13]	1 1/16-18 UNEF
20	1 1/4-18 UNEF	.145 [3.68]	2.125 [53.97]	2.500 [63.50]	.970 [24.64]	1.937 [49.20]	2.022 [51.36]	1.500 [38.10]	1.255 [31.88]	.698 [17.73]	1 3/16-18 UNEF
22	1 3/8-18 UNEF	.145 [3.68]	2.125 [53.97]	2.500 [63.50]	.970 [24.64]	2.156 [54.76]	2.241 [56.92]	1.625 [41.27]	1.380 [35.05]	.760 [19.30]	1 5/16-18 UNEF
24	1 1/2-18 UNEF	.145 [3.68]	2.125 [53.97]	2.500 [63.50]	.970 [24.64]	2.281 [57.94]	2.366 [60.10]	1.750 [44.45]	1.505 [38.23]	.823 [20.90]	1 7/16-18 UNEF
28	1 3/4-18 UNS	.145 [3.68]	2.125 [53.97]	2.500 [63.50]	.970 [24.64]	2.531 [64.29]	2.616 [66.45]	2.000 [50.80]	1.755 [44.58]	.948 [24.08]	1 3/4-18 UNS
32	2-18 UNS	.145 [3.68]	2.125 [53.97]	2.500 [63.50]	.970 [24.64]	2.781 [70.64]	2.866 [72.80]	2.375 [60.32]	2.005 [50.93]	1.073 [27.25]	2-18 UNS
36	2 1/4-16 UN	.145 [3.68]	2.125 [53.97]	2.500 [63.50]	.970 [24.64]	3.031 [76.99]	3.116 [79.15]	2.625 [66.67]	2.255 [57.28]	1.198 [30.43]	2 1/4-16 UN
40	2 1/2-16 UN	.145 [3.68]	2.125 [53.97]	2.500 [63.50]	.970 [24.64]	3.281 [83.34]	3.366 [85.50]	2.875 [73.02]	2.505 [63.63]	1.323 [33.60]	2 1/2-16 UN
44	2 3/4-16 UN	.145 [3.68]	2.125 [53.97]	2.500 [63.50]	.970 [24.64]	3.656 [92.86]	3.741 [95.02]	3.125 [79.37]	2.755 [69.98]	1.448 [36.78]	2 3/4-16 UN
48	3-16 UN	.145 [3.68]	2.125 [53.97]	2.500 [63.50]	.970 [24.64]	3.906 [99.21]	3.991 [101.37]	3.375 [85.72]	3.005 [76.33]	1.573 [39.95]	3-16 UN

Dimensions in brackets [ ] are in millimeters.

CRIMP, REAR RELEASE CONTACTS (MS3454) **JAM NUT RECEPTACLE**  
SC54SV



3A

SC54SV\* Environmental

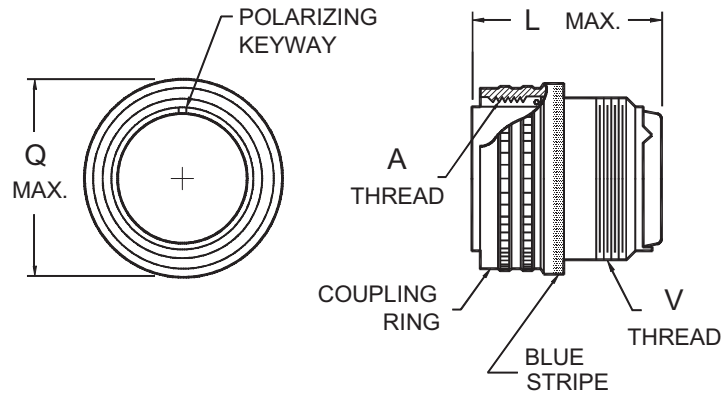
SHELL SIZE	FRONT VIEW			SIDE VIEW					PANEL CUT-OUT		
	R ±.010 [±0.25]	S ±.005 [±0.13]	T ±.005 [±0.13]	G MAX	K ±.005 [±0.13]	L MAX	M ±.005 [±0.13]	W ±.005 [±0.13]	V THREAD CLASS 2A	Y +.015 [+0.38] -.000 [-0.00]	Z ±.005 [±0.13]
8S	0.687 [17.45]	1.187 [30.15]	1.272 [32.31]	*	0.115 [2.92]	2.031 [51.59]	0.720 [18.29]	*	.500-28 UNEF	0.565 [12.83]	0.323 [8.20]
10SL	0.812 [20.62]	1.312 [33.32]	1.397 [35.48]	0.632 [16.1]	0.115 [2.92]	2.031 [51.59]	0.720 [18.29]	0.502 [12.8]	.625-24 UNEF	0.630 [16.00]	0.385 [9.78]
10S	0.812 [20.62]	1.312 [33.32]	1.397 [35.48]	0.632 [16.1]	0.115 [2.92]	2.031 [51.59]	0.720 [18.29]	0.502 [12.8]	.625-24 UNEF	0.630 [16.00]	0.385 [9.78]
12S	0.937 [23.80]	1.437 [36.50]	1.522 [38.66]	0.755 [19.2]	0.115 [2.92]	2.031 [51.59]	0.720 [18.29]	0.618 [15.7]	.750-20 UNEF	0.755 [19.18]	0.448 [11.38]
12	0.937 [23.80]	1.437 [36.50]	1.522 [38.66]	0.755 [19.2]	0.115 [2.92]	2.125 [53.97]	0.970 [24.64]	0.618 [15.7]	.750-20 UNEF	0.755 [19.18]	0.448 [11.38]
14S	1.125 [28.57]	1.562 [39.67]	1.647 [41.83]	0.880 [22.4]	0.115 [2.92]	2.031 [51.59]	0.720 [18.29]	0.743 [18.9]	.875-20 UNEF	0.880 [22.35]	0.510 [12.95]
14	1.125 [28.57]	1.562 [39.67]	1.647 [41.83]	0.880 [22.4]	0.115 [2.92]	2.125 [53.97]	0.970 [24.64]	0.743 [18.9]	.875-20 UNEF	0.880 [22.35]	0.510 [12.95]
16S	1.250 [31.75]	1.687 [42.85]	1.772 [45.01]	1.005 [25.5]	0.115 [2.92]	2.031 [51.59]	0.720 [18.29]	0.868 [22.1]	1.000-20 UNEF	1.005 [25.53]	0.573 [14.55]
16	1.250 [31.75]	1.687 [42.85]	1.772 [45.01]	1.005 [25.5]	0.115 [2.92]	2.500 [63.50]	0.970 [24.64]	0.868 [22.1]	1.000-20 UNEF	1.005 [25.53]	0.573 [14.55]
18	1.375 [34.92]	1.812 [46.02]	1.897 [48.18]	1.065 [27.1]	0.115 [2.92]	2.500 [63.50]	0.970 [24.64]	0.924 [23.5]	1.125-18 UNEF	1.130 [28.70]	0.635 [16.13]
20	1.500 [38.10]	1.937 [49.20]	2.022 [51.36]	1.190 [30.2]	0.145 [3.68]	2.500 [63.50]	0.970 [24.64]	1.049 [26.6]	1.250-18 UNEF	1.255 [31.88]	0.698 [17.73]
22	1.625 [41.27]	2.156 [54.76]	2.241 [56.92]	1.315 [33.4]	0.145 [3.68]	2.500 [63.50]	0.970 [24.64]	1.174 [29.8]	1.375-18 UNEF	1.380 [35.05]	0.760 [19.30]
24	1.750 [44.45]	2.281 [57.94]	2.366 [60.10]	1.440 [36.6]	0.145 [3.68]	2.500 [63.50]	0.970 [24.64]	1.299 [33.0]	1.500-18 UNEF	1.505 [38.23]	0.823 [20.90]
28	2.000 [50.80]	2.531 [64.29]	2.616 [66.45]	1.750 [44.5]	0.145 [3.68]	2.500 [63.50]	0.970 [24.64]	1.520 [38.6]	1.750-18 UNS	1.755 [44.58]	0.948 [24.08]
32	2.375 [60.32]	2.781 [70.64]	2.866 [72.80]	2.000 [50.8]	0.145 [3.68]	2.500 [63.50]	0.970 [24.64]	1.770 [45.0]	2.000-18 UNS	2.005 [50.93]	1.073 [27.25]
36	2.625 [66.67]	3.031 [76.99]	3.116 [79.15]	2.250 [57.2]	0.145 [3.68]	2.500 [63.50]	0.970 [24.64]	1.985 [50.4]	2.250-16 UN	2.255 [57.28]	1.198 [30.43]
40	2.875 [73.02]	3.281 [83.34]	3.366 [85.50]	2.500 [63.5]	0.145 [3.68]	2.500 [63.50]	0.970 [24.64]	2.200 [55.9]	2.500-16 UN	2.505 [63.63]	1.323 [33.60]

Dimensions in brackets [ ] are in millimeters.

\* Consult Factory

# STRAIGHT PLUG CRIMP, REAR RELEASE CONTACTS

## SC56



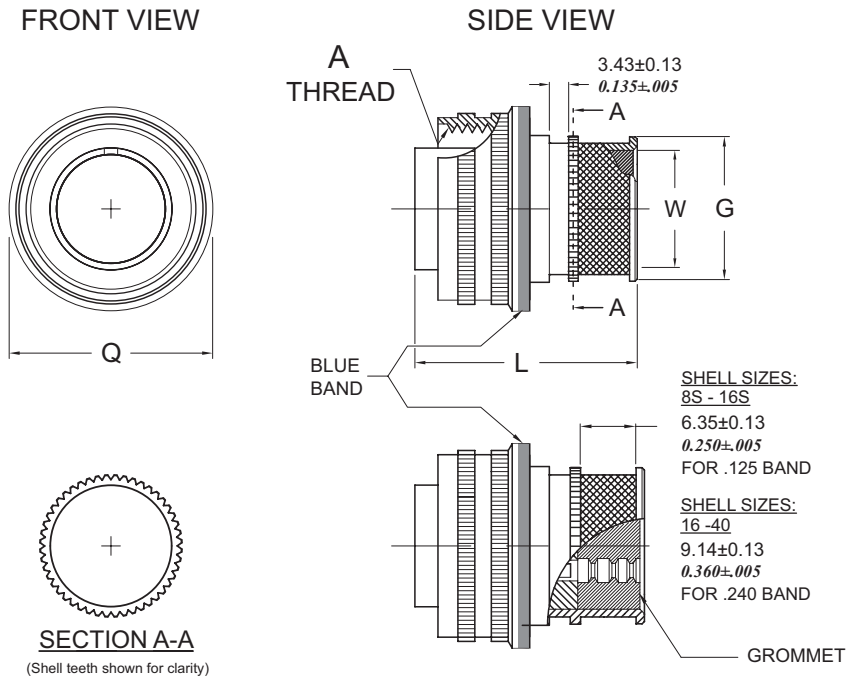
### SC56\* Environmental

SHELL SIZE	A COUPLING THREAD CLASS 2B	ØQ MAX.	L MAX.		V ACCESSORY THREAD CLASS 2A
			CONTACT SIZE		
			16 & 12	8,4 & 0	
8S	1/2-28 UNEF	.844 [21.44]	2.031 [51.59]	–	1/2-20 UNF
10S	5/8-24 UNEF	.969 [24.61]	2.031 [51.59]	–	5/8-24 UNEF
10SL	5/8-24 UNEF	.969 [24.61]	2.031 [51.59]	–	5/8-24 UNEF
12S	3/4-20 UNEF	1.062 [26.97]	2.031 [51.59]	–	3/4-20 UNEF
12	3/4-20 UNEF	1.062 [26.97]	2.125 [53.97]	–	3/4-20 UNEF
14S	7/8-20 UNEF	1.156 [29.36]	2.031 [51.59]	–	7/8-20 UNEF
14	7/8-20 UNEF	1.156 [29.36]	2.125 [53.97]	–	7/8-20 UNEF
16S	1-20 UNEF	1.250 [31.75]	2.031 [51.59]	–	1-20 UNEF
16	1-20 UNEF	1.250 [31.75]	2.125 [53.97]	2.500 [63.50]	1-20 UNEF
18	1 1/8-18 UNEF	1.344 [34.14]	2.125 [53.97]	2.500 [63.50]	1 1/16-18 UNEF
20	1 1/4-18 UNEF	1.469 [37.31]	2.125 [53.97]	2.500 [63.50]	1 3/16-18 UNEF
22	1 3/8-18 UNEF	1.594 [40.49]	2.125 [53.97]	2.500 [63.50]	1 5/16-18 UNEF
24	1 1/2-18 UNEF	1.719 [43.66]	2.125 [53.97]	2.500 [63.50]	1 7/16-18 UNEF
28	1 3/4-18 UNS	1.969 [50.01]	2.125 [53.97]	2.500 [63.50]	1 3/4-18 UNS
32	2-18 UNS	2.219 [56.36]	2.125 [53.97]	2.500 [63.50]	2-18 UNS
36	2 1/4-16 UN	2.469 [62.71]	2.125 [53.97]	2.500 [63.50]	2 1/4-16 UN
40	2 1/2-16 UN	2.719 [69.06]	2.125 [53.97]	2.500 [63.50]	2 1/2-16 UN
44	2 3/4-16 UN	2.969 [75.41]	2.125 [53.97]	2.500 [63.50]	2 3/4-16 UN
48	3-16 UN	3.219 [81.76]	2.125 [53.97]	2.500 [63.50]	3-16 UN

Dimensions in brackets [ ] are in millimeters.

# STRAIGHT PLUG

CRIMP, REAR RELEASE CONTACTS (MS3456) SC56SV  
 SELF-LOCKING - CRIMP, REAR RELEASE CONTACTS (MS3459) SC59SV



3A

**SC56SV\* Environmental**  
**SC59SV\* Environmental, with self-locking coupling nut**

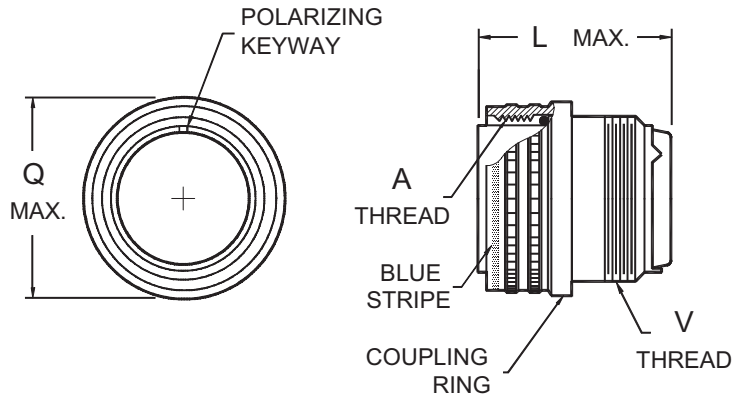
SHELL SIZE	FRONT VIEW		SIDE VIEW			
	56SV*	59SV*	G MAX	L MAX	W ±.005 [±0.13]	A THREAD CLASS 2B
	Q MAX	Q MAX				
8S	0.844 [21.44]	0.963 [24.46]	*	2.031 [51.59]	*	.500-28 UNEF
10SL	0.969 [24.61]	1.088 [27.64]	0.632 [16.1]	2.031 [51.59]	0.502 [12.8]	.625-24 UNEF
10S	0.969 [24.61]	1.088 [27.64]	0.632 [16.1]	2.031 [51.59]	0.502 [12.8]	.625-24 UNEF
12S	1.062 [26.97]	1.213 [30.81]	0.755 [19.2]	2.031 [51.59]	0.618 [15.7]	.750-20 UNEF
12	1.062 [26.97]	1.213 [30.81]	0.755 [19.2]	2.125 [53.97]	0.618 [15.7]	.750-20 UNEF
14S	1.156 [29.36]	1.358 [34.49]	0.880 [22.4]	2.031 [51.59]	0.743 [18.9]	.875-20 UNEF
14	1.156 [29.36]	1.358 [34.49]	0.880 [22.4]	2.125 [53.97]	0.743 [18.9]	.875-20 UNEF
16S	1.250 [31.75]	1.463 [37.16]	1.005 [25.5]	2.031 [51.59]	0.868 [22.1]	1.000-20 UNEF
16	1.250 [31.75]	1.463 [37.16]	1.005 [25.5]	2.500 [63.50]	0.868 [22.1]	1.000-20 UNEF
18	1.344 [34.14]	1.588 [40.34]	1.065 [27.1]	2.500 [63.50]	0.924 [23.5]	1.125-18 UNEF
20	1.469 [37.31]	1.713 [43.51]	1.190 [30.2]	2.500 [63.50]	1.049 [26.6]	1.250-18 UNEF
22	1.594 [40.49]	1.788 [45.42]	1.315 [33.4]	2.500 [63.50]	1.174 [29.8]	1.375-18 UNEF
24	1.719 [43.66]	1.963 [49.86]	1.440 [36.6]	2.500 [63.50]	1.299 [33.0]	1.500-18 UNEF
28	1.969 [50.01]	2.213 [56.21]	1.750 [44.5]	2.500 [63.50]	1.520 [38.6]	1.750-18 UNS
32	2.219 [56.36]	2.463 [62.56]	2.000 [50.8]	2.500 [63.50]	1.770 [45.0]	2.000-18 UNS
36	2.469 [62.71]	2.713 [68.91]	2.250 [57.2]	2.500 [63.50]	1.985 [50.4]	2.250-16 UN
40	2.719 [69.06]	2.963 [75.26]	2.500 [63.5]	2.500 [63.50]	2.200 [55.9]	2.500-16 UN

Dimensions in brackets [ ] are in millimeters.

\* Consult Factory

# SELF-LOCKING STRAIGHT PLUG CRIMP, REAR RELEASE CONTACTS

## SC59



### SC59\* Environmental

SHELL SIZE	A COUPLING THREAD CLASS 2B	ØQ MAX.	L MAX.		V ACCESSORY THREAD CLASS 2A
			CONTACT SIZE		
			16 & 12	8,4 & 0	
8S	1/2-28 UNEF	.963 [24.46]	2.031 [51.59]	–	1/2-20 UNF
10S	5/8-24 UNEF	1.088 [27.64]	2.031 [51.59]	–	5/8-24 UNEF
10SL	5/8-24 UNEF	1.088 [27.64]	2.031 [51.59]	–	5/8-24 UNEF
12S	3/4-20 UNEF	1.213 [30.81]	2.031 [51.59]	–	3/4-20 UNEF
12	3/4-20 UNEF	1.213 [30.81]	2.125 [53.97]	–	3/4-20 UNEF
14S	7/8-20 UNEF	1.358 [34.49]	2.031 [51.59]	–	7/8-20 UNEF
14	7/8-20 UNEF	1.358 [34.49]	2.125 [53.97]	–	7/8-20 UNEF
16S	1-20 UNEF	1.463 [37.16]	2.031 [51.59]	–	1-20 UNEF
16	1-20 UNEF	1.463 [37.16]	2.125 [53.97]	2.500 [63.50]	1-20 UNEF
18	1 1/8-18 UNEF	1.588 [40.34]	2.125 [53.97]	2.500 [63.50]	1 1/16-18 UNEF
20	1 1/4-18 UNEF	1.713 [43.51]	2.125 [53.97]	2.500 [63.50]	1 3/16-18 UNEF
22	1 3/8-18 UNEF	1.788 [45.42]	2.125 [53.97]	2.500 [63.50]	1 5/16-18 UNEF
24	1 1/2-18 UNEF	1.963 [49.86]	2.125 [53.97]	2.500 [63.50]	1 7/16-18 UNEF
28	1 3/4-18 UNS	2.213 [56.21]	2.125 [53.97]	2.500 [63.50]	1 3/4-18 UNS
32	2-18 UNS	2.463 [62.56]	2.125 [53.97]	2.500 [63.50]	2-18 UNS
36	2 1/4-16 UN	2.713 [68.91]	2.125 [53.97]	2.500 [63.50]	2 1/4-16 UN
40	2 1/2-16 UN	2.963 [75.26]	2.125 [53.97]	2.500 [63.50]	2 1/2-16 UN

Dimensions in brackets [ ] are in millimeters.



# SECTION 4A MIL-DTL-5015

## CONNECTOR ACCESSORY QUICK REFERENCE

(FOR COMPLETE DETAILS ON THESE PARTS SEE **SPACECRAFT CATALOG 401**)

4A

ACCESSORY	SOLDER	CRIMP FRONT OR REAR RELEASE
<b>BACKSHELLS, ENVIRONMENTAL</b>		
STRAIGHT - CABLE SEALING GLAND	B002*BA	B002*AF
	-	B049AF11
STRAIGHT - FOR ANAMET CONDUIT	B031*BA	B031*AF
STRAIGHT - PG ADAPTER	B033*BA	B033*AF
STRAIGHT - PIPE THREAD (PT) ADAPTER	B035*BA	B035*AF
STRAIGHT - FOR SEALTITE™ LIQUIDTITE CONDUIT	B037*BA	B037*AF
45° - CABLE SEALING GLAND	B002CC-BA	B002CC-AF*
	-	B049AF07
90° - CABLE SEALING GLAND	B002D-BA	B002D-AF*
	-	B049AF09
<b>BACKSHELLS, ENVIRONMENTAL EMI/RFI</b>		
STRAIGHT-CONE TYPE	B004*BA	B004*AF
	-	B049AF10
STRAIGHT - INVERTED CONE TYPE	B015*BA	B015*AF
STRAIGHT-2 RING TYPE	B023*BA	B023*AF
STRAIGHT - LIGHTWEIGHT	B043*BA	B043*AF
45° - CONE TYPE	B004CC-AB	B004CC-AF
	-	B049AF06
45° - INVERTED CONE TYPE	B015CC-AB	B015CC-AF
45° - 2 RING TYPE	B023CC-AB	B023CC-AF
45° - LIGHTWEIGHT	B043CC-BA	B043CC*AF
90° - CONE TYPE	B004*AB	B004*AF
	-	B049AF08
90° - INVERTED CONE TYPE	B015*AB	B015*AF
90° - 2 RING TYPE	B023*AB	B023*AF
90° - LIGHTWEIGHT	B043D-BA	B043D*AF

ACCESSORY	SOLDER	CRIMP FRONT OR REAR RELEASE
<b>BACKSHELLS, GROMMET NUTS</b>		
	-	B049AF31
	-	B049AF31S
<b>BACKSHELLS, NON-ENVIRONMENTAL</b>		
STRAIGHT	B001A-BA	B001A-AF
	B001B-BA	B001B-AF
45°	B001CC-BA	B001CC-AF
90°	B001D-BA	B001D-AF
<b>BACKSHELLS, NON-ENVIRONMENTAL EMI/RFI</b>		
STRAIGHT-CONE TYPE	B003*BA	B003*AF
	-	B049AF25
STRAIGHT - INVERTED CONE TYPE	B014*BA	B014*AF
STRAIGHT - LIGHTWEIGHT	B042*BA	B042*AF
45°-CONE TYPE	B003CC	B003CC
	-	B049AF23
45° - INVERTED CONE TYPE	B014CC-BA	B014CC*AF
45° - LIGHTWEIGHT	B042CC-BA	B042CC*AF
90° - CONE TYPE	B003D-BA	B003D*AF
	-	B049AF24
90° - INVERTED CONE TYPE	B014D-BA	B014D*AF
90° - LIGHTWEIGHT	B043D-BA	B043D*AF
<b>BACKSHELLS, POTTING BOOTS &amp; RINGS</b>		
	NOTE 1	NOTE 1

continued on next page

\* Additional alpha-numeric are required to complete part number.  
1. Contact sales department for part numbers and availability.

# MIL-DTL-5015 CRIMP & SOLDER CONNECTOR ACCESSORY QUICK REFERENCE

ACCESSORY	SOLDER	CRIMP FRONT OR REAR RELEASE
<b>BACKSHELLS, SHIELD TERMINATIONS</b>		
STRAIGHT - CRIMP RING FOR SHRINK BOOT	B005*BA	B005*AF
STRAIGHT - CRIMP RING TYPE	B007*BA	B007*AF
STRAIGHT - ADAPTER ONLY	-	B049AF26-1
STRAIGHT - ADAPTER & CRIMP RING	-	B049AF26-3
STRAIGHT - SHIELD BAND	-	B049AF82
45° - CRIMP RING FOR SHRINK BOOT	B005CC*BA	B005CC*AF
45° - CRIMP RING TYPE	B007CC*BA	B007CC*AF
45° - SHIELD BAND	-	B049AF83
90° - CRIMP RING FOR SHRINK BOOT	B005D*BA	B005D*AF
90° - CRIMP RING TYPE	B007D*BA	B007D*AF
90° - SHIELD BAND	-	B049AF84
SHIELD CRIMP RING ONLY	B049AF26-2	B049AF26-2
<b>BACKSHELLS, SHORTING CANS</b>		
	B012*BA	B012*AF
	B013*BA	B013*AF
<b>BACKSHELLS, SHRINK BOOT ADAPTERS</b>		
STRAIGHT BOOT ADAPTER	B006A*BA	B006A*AF
	B006B*BA	B006B*AF
	-	B049AF60-1
	-	B049AF60-2
<b>BACKSHELLS, STRAIN RELIEF/CABLE CLAMPS</b>		
STRAIGHT - CABLE CLAMP	MS3057-*A	-
	MS3057-*B	-
	MS3057-*C	-
STRAIGHT - STRAIN RELIEF	-	B049AF52
	-	B049AF52S
	-	B049AF53
	-	B049AF66
45° - STRAIN RELIEF	-	B049AF43
	-	B049AF54
90° - STRAIN RELIEF	-	B049AF51
	-	B049AF51S
	-	B049AF55
	-	B049AF55G
	-	B049AF55S

ACCESSORY	SOLDER	CRIMP FRONT OR REAR RELEASE
<b>DUMMY RECEPTACLES</b>		
	DRP01	DRP01
	DRP13	DRP13
	SC3105	SC3105
	SC1196	SC1196
<b>DUST CAPS</b>		
METAL, FOR PLUG	DCP01	DCP01
	SCP25042-*	SCP25042-*
METAL, FOR RECEPTACLE	DCR01	DCR01
	SCP25043-*	SCP25043-*
<b>GASKET FOR FLANGE MOUNT RECEPTACLES</b>		
EMI/RFI	M83528/004	M83528/004
ENVIRONMENTAL	SCP101949-*	SCP150949-*
<b>JAM NUTS</b>		
	SC3186-*	SC3186-*
<b>MOUNTING PLATES</b>		
	B049AF94	B049AF94
	B049AF95	B049AF95
	B049AF96	B049AF96
<b>RUBBER BUSHINGS</b>		
	MS3420-*	MS3420-*
	MS3420-*A	MS3420-*A
<b>SEALING PLUGS</b>		
	MS25251	-
	MS27488	MS27488

\* Additional alpha-numerics are required to complete part number.

# SECTION 5A

## SWL SERIES

### CONNECTORS

5A

- EQUIVALENT TO THE AMPHENOL/BENDIX QWL as well as the ITT Cannon CWL Series.
- HIGH CURRENT CAPACITY for power distribution network and inputs into large equipment.
- RUGGED CONSTRUCTION consists of high strength machined aluminum shells with Alumilite 225\* hard anodize finish, shock resistant resilient inserts. Gaskets and/or "O" rings at appropriate surfaces for perfect weathertight connections.
- EASE OF OPERATION with fast coupling, double stub threads, left hand accessory threads and single keyway mating.
- INSERT AVAILABILITY - Both MS and custom insert patterns available to accommodate a wide variety of multiconductor cables.

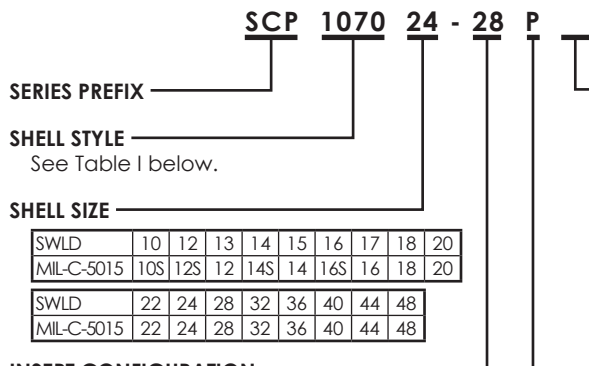
#### OPERATING CHARACTERISTICS

CONDITION	CONFIGURATION	DESCRIPTION	REFERENCE
DURABILITY	MATED	500 complete mating/unmating cycles	MIL-DTL-22992
FLUID IMMERSION	UNMATED	20 hours immersion in hydraulic fluid and lubricating oil	MIL-DTL-22992
HIGH IMPACT	MATED	Nine hammer blows from 1, 3 and 5 feet, three each in three axes on mounting panel	MIL-STD-202 method 207
MOISTURE RESISTANCE (Cable mounted connectors)	MATED	Ten complete 24 hour cycles of +25°C to +65°C temperature at 90% to 98% humidity	MIL-STD-202 method 106
SALT SPRAY (CORROSION)	UNMATED	48 hour exposure to atomized 5% saline solution at +35°C	MIL-STD-1344 method 1001
THERMAL SHOCK	UNMATED	Five complete one hour temperature cycles of -55°C to +125°C	MIL-STD-1344 method 1003 test condition
VIBRATION	MATED	10 TO 55 Hz, 06 inch total excursion in 1 minute cycles for 6 hours 55 to 2000 Hz, 10G peak amplitude sweep	MIL-STD-1344 method 2005
WATER IMMERSION	MATED	4 hours immersion at 1 atmosphere pressure differential	MIL-DTL-22992

(1) Backshells must be purchased separately.

# SWL SERIES

## ORDERING INFORMATION



**INSERT CONFIGURATION**  
See pages 10A-1 thru 10A-50 for illustrations and codes.

**MATERIAL:** Aluminum alloy  
**FINISH:** Alumilite 225

### MODIFICATION

- BLANK** Solder type contacts, silver plated (Standard).
- B68** Solder type contacts, plated .00005 gold over silver. Size 8, 4 and 1/0 contacts have filled solder pots.
- B75** Crimp type contacts, silver plated.
- B80** Less contacts.
- B81** Crimp type contacts, plated .0001 gold over silver.
- B82** Crimp type contacts for MIL-C-13777 cable, silver plated.
- B83** Crimp type contacts for MIL-C-13777 cable, plated .0001 gold over silver.
- B85** Crimp type contacts plated .00005 gold over silver. The above modifications utilize connector shells with a non-conductive hard anodize finish Alumilite 225® over aluminum.
- B88** Solder contact, olive drab plating over nickel conductive finish.
- SLN** Self-locking coupling nut.

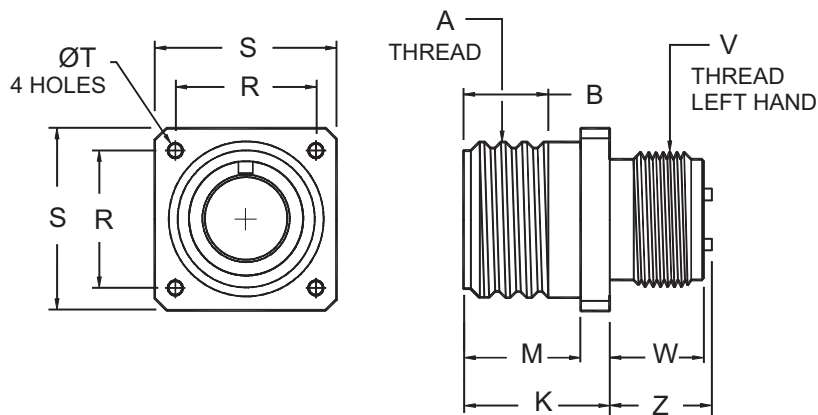
### CONTACT STYLE/ALTERNATE POSITION

This Series utilizes a single letter code for both Contact Style and Alternate Position. Select the code from the Table below. See page 10A-1 thru 10A-16 for Alternate Positions available for each Insert Configuration.

CODE		ALTERNATE POSITION
PIN	SOCKET	
P	S	NORMAL
G	H	W
I	J	X
K	L	Y
M	N	Z

**TABLE I. SHELL STYLE**

SHELL STYLE	DESCRIPTION	SEE PAGE
SCP1070	Wall mount receptacle	5A-3
SCP1071	In-line receptacle	5A-4
SCP1072	Box mount receptacle	5A-5
SCP1073	Jam nut receptacle, wall mount	5A-7
SCP1074	Thru-bulkhead receptacle	5A-8
SCP1075	Dummy receptacle	Catalog 401
SCP1076	Straight plug	5A-9
SCP1077	Panel mount plug	5A-10
SCP1079	Jam nut receptacle, box mount	5A-6



**SCP1070\* Environmental**

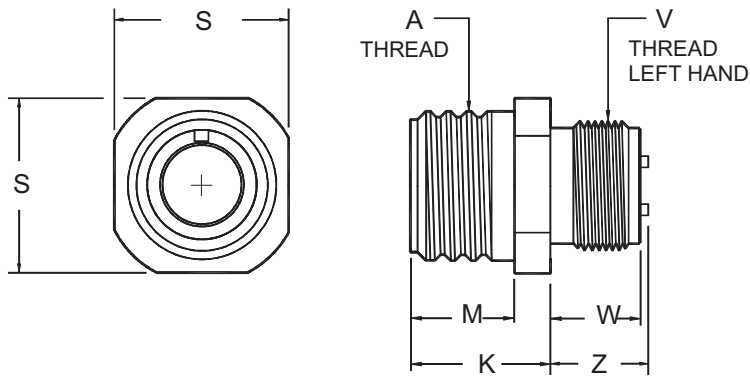
PART NUMBER	SHELL SIZE	A THREAD CLASS 2A	B MIN. FULL THREAD	K ±.015 [±0.38]	M +.016 -.000 [+0.41] [-0.00]	R ±.005 [±0.13]	S ±.020 [±0.51]	T +.004 -.002 [+0.10] [-0.05]	V THREAD CLASS 2A-LH	W ±.010 [±0.25]	Z MAX.
SCP107010-*	10S	.6250-0.05P-0.1L-DS	.391 [9.93]	.704 [17.88]	.562 [14.27]	.719 [18.26]	1.000 [25.40]	.150 [3.81]	.5000-28 UNEF	.400 [10.16]	.450 [11.43]
SCP107012-*	12S	.7500-0.1P-0.2L-DS	.391 [9.93]	.704 [17.88]	.562 [14.27]	.812 [20.62]	1.094 [27.79]	.150 [3.81]	.6250-24 UNEF	.400 [10.16]	.450 [11.43]
SCP107013-*	12	.7500-0.1P-0.2L-DS	.625 [15.88]	.891 [22.63]	.750 [19.05]	.812 [20.62]	1.094 [27.79]	.150 [3.81]	.6250-24 UNEF	.588 [14.94]	.700 [17.78]
SCP107014-*	14S	.8750-0.1P-0.2L-DS	.391 [9.93]	.704 [17.88]	.562 [14.27]	.906 [23.01]	1.188 [30.18]	.150 [3.81]	.7500-20 UNEF	.400 [10.16]	.450 [11.43]
SCP107015-*	14	.8750-0.1P-0.2L-DS	.625 [15.88]	.891 [22.63]	.750 [19.05]	.906 [23.01]	1.188 [30.18]	.150 [3.81]	.7500-20 UNEF	.588 [14.94]	.700 [17.78]
SCP107016-*	16S	1.0000-0.1P-0.2L-DS	.391 [9.93]	.704 [17.88]	.562 [14.27]	.969 [24.61]	1.281 [32.54]	.150 [3.81]	.8750-20 UNEF	.400 [10.16]	.450 [11.43]
SCP107017-*	16	1.0000-0.1P-0.2L-DS	.625 [15.88]	.891 [22.63]	.750 [19.05]	.969 [24.61]	1.281 [32.54]	.150 [3.81]	.8750-20 UNEF	.588 [14.94]	.700 [17.78]
SCP107018-*	18	1.1250-0.1P-0.2L-DS	.625 [15.88]	.906 [23.01]	.750 [19.05]	1.062 [26.97]	1.375 [34.92]	.177 [4.50]	1.0000-20 UNEF	.573 [14.55]	.686 [17.42]
SCP107020-*	20	1.2500-0.1P-0.2L-DS	.625 [15.88]	.906 [23.01]	.750 [19.05]	1.156 [29.36]	1.500 [38.10]	.177 [4.50]	1.1250-18 UNEF	.573 [14.55]	.686 [17.42]
SCP107022-*	22	1.3750-0.1P-0.2L-DS	.625 [15.88]	.906 [23.01]	.750 [19.05]	1.250 [31.75]	1.625 [41.27]	.177 [4.50]	1.2500-18 UNEF	.573 [14.55]	.686 [17.42]
SCP107024-*	24	1.5000-0.1P-0.2L-DS	.625 [15.88]	.968 [24.59]	.812 [20.62]	1.375 [34.92]	1.750 [44.45]	.177 [4.50]	1.3750-18 UNEF	.573 [14.55]	.624 [15.85]
SCP107028-*	28	1.7500-0.1P-0.2L-DS	.625 [15.88]	.968 [24.59]	.812 [20.62]	1.562 [39.67]	2.000 [50.80]	.177 [4.50]	1.6250-18 UNEF	.573 [14.55]	.624 [15.85]
SCP107032-*	32	2.0000-0.1P-0.2L-DS	.625 [15.88]	1.031 [26.19]	.875 [22.23]	1.750 [44.45]	2.250 [57.15]	.209 [5.31]	1.8750-16 UN	.573 [14.55]	.561 [14.25]
SCP107036-*	36	2.2500-0.1P-0.2L-DS	.625 [15.88]	1.031 [26.19]	.875 [22.23]	1.938 [49.23]	2.500 [63.50]	.209 [5.31]	2.0625-16 UNS	.573 [14.55]	.561 [14.25]
SCP107040-*	40	2.5000-0.1P-0.2L-DS	.625 [15.88]	1.031 [26.19]	.875 [22.23]	2.188 [55.58]	2.750 [69.85]	.209 [5.31]	2.3125-16 UNS	.573 [14.55]	.561 [14.25]
SCP107044-*	44	2.7500-0.1P-0.2L-DS	.625 [15.88]	1.031 [26.19]	.875 [22.23]	2.375 [60.32]	3.000 [76.20]	.209 [5.31]	2.6250-16 UN	.698 [17.73]	.801 [20.35]
SCP107048-*	48	3.0000-0.1P-0.2L-DS	.625 [15.88]	1.031 [26.19]	.875 [22.23]	2.625 [66.67]	3.250 [82.55]	.209 [5.31]	2.8750-16 UN	.698 [17.73]	.801 [20.35]

Dimensions in brackets [ ] are in millimeters.

**5A**

# IN-LINE RECEPTACLE SWL SERIES

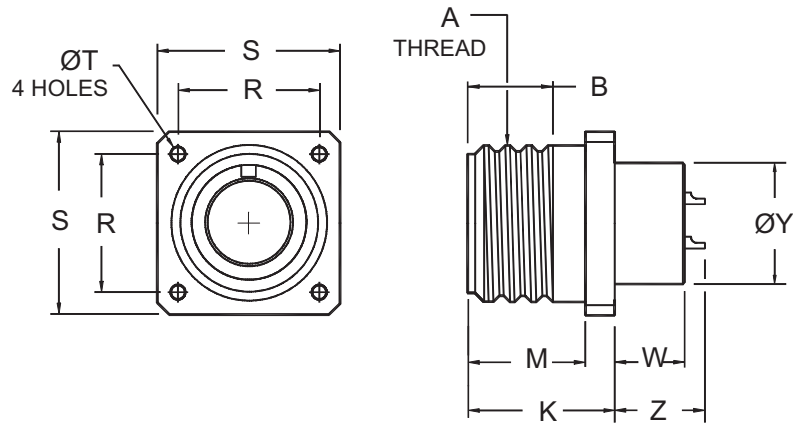
## SCP1071



**SCP1071\* Environmental**

PART NUMBER	SHELL SIZE	A THREAD CLASS 2A	K ±.015 [±0.38]	M +.016-.000 [+0.41] [-0.00]	S ±.020 [±0.51]	V THREAD CLASS 2A-LH	W ±.010 [±0.25]	Z MAX.
SCP107110*	10S	.6250-0.05P-0.1L-DS	.704 [17.88]	.453 [11.51]	.750 [19.05]	.5000-28 UNEF	.400 [10.16]	.450 [11.43]
SCP107112*	12S	.7500-0.1P-0.2L-DS	.704 [17.88]	.453 [11.51]	.875 [22.23]	.6250-24 UNEF	.400 [10.16]	.450 [11.43]
SCP107113*	12	.7500-0.1P-0.2L-DS	.891 [22.63]	.641 [16.28]	.875 [22.23]	.6250-24 UNEF	.588 [14.94]	.701 [17.81]
SCP107114*	14S	.8750-0.1P-0.2L-DS	.704 [17.88]	.453 [11.51]	1.000 [25.40]	.7500-20 UNEF	.400 [10.16]	.450 [11.43]
SCP107115*	14	.8750-0.1P-0.2L-DS	.891 [22.63]	.641 [16.28]	1.000 [25.40]	.7500-20 UNEF	.588 [14.94]	.701 [17.81]
SCP107116*	16S	1.0000-0.1P-0.2L-DS	.704 [17.88]	.453 [11.51]	1.094 [27.79]	.8750-20 UNEF	.400 [10.16]	.450 [11.43]
SCP107117*	16	1.0000-0.1P-0.2L-DS	.891 [22.63]	.641 [16.28]	1.094 [27.79]	.8750-20 UNEF	.588 [14.94]	.701 [17.81]
SCP107118*	18	1.1250-0.1P-0.2L-DS	.906 [23.01]	.656 [16.66]	1.281 [32.54]	1.0000-20 UNEF	.573 [14.55]	.686 [17.42]
SCP107120*	20	1.2500-0.1P-0.2L-DS	.906 [23.01]	.656 [16.66]	1.375 [34.93]	1.1250-18 UNEF	.573 [14.55]	.686 [17.42]
SCP107122*	22	1.3750-0.1P-0.2L-DS	.906 [23.01]	.656 [16.66]	1.500 [38.10]	1.2500-18 UNEF	.573 [14.55]	.686 [17.42]
SCP107124*	24	1.5000-0.1P-0.2L-DS	.968 [24.59]	.719 [18.26]	1.625 [41.28]	1.3750-18 UNEF	.573 [14.55]	.624 [15.85]
SCP107128*	28	1.7500-0.1P-0.2L-DS	.968 [24.59]	.719 [18.26]	1.875 [47.63]	1.6250-18 UNEF	.573 [14.55]	.624 [15.85]
SCP107132*	32	2.0000-0.1P-0.2L-DS	1.031 [26.19]	.656 [16.66]	2.125 [53.98]	1.8750-16 UN	.573 [14.55]	.561 [14.25]
SCP107136*	36	2.2500-0.1P-0.2L-DS	1.031 [26.19]	.656 [16.66]	2.375 [60.33]	2.0625-16 UNS	.573 [14.55]	.561 [14.25]
SCP107140*	40	2.5000-0.1P-0.2L-DS	1.031 [26.19]	.656 [16.66]	2.625 [66.68]	2.3125-16 UNS	.573 [14.55]	.561 [14.25]
SCP107144*	44	2.7500-0.1P-0.2L-DS	1.031 [26.19]	.656 [16.66]	3.000 [76.20]	2.6250-16 UN	.698 [17.73]	.800 [20.32]
SCP107148*	48	3.0000-0.1P-0.2L-DS	1.031 [26.19]	.656 [16.66]	3.125 [79.38]	2.8750-16 UN	.698 [17.73]	.800 [20.32]

Dimensions in brackets [ ] are in millimeters.



**SCP1072\* Environmental**

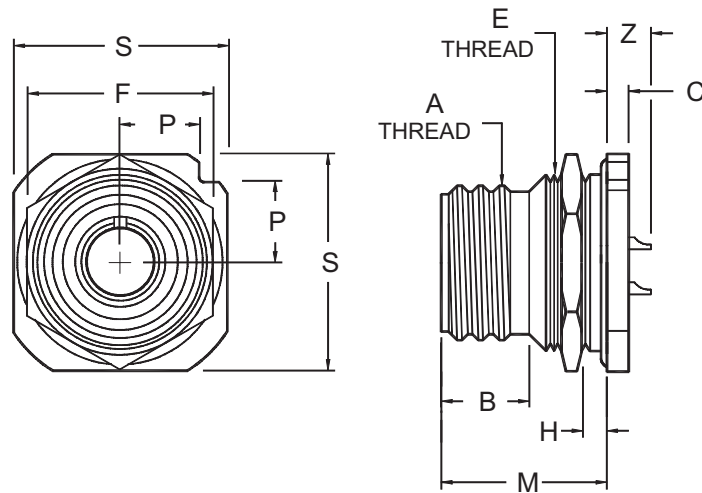
PART NUMBER	SHELL SIZE	A THREAD CLASS 2A	B MIN. FULL THREAD	K +.026 -.010 [+0.66] [-0.25]	M +.016 -.000 [+0.41] [-0.00]	R ±.005 [±0.13]	S ±.020 [±0.51]	T +.004 -.002 [+0.10] [-0.05]	W +.020 -.036 [+0.51] [-0.91]	ØY ±.010 [±0.25]	Z MAX.
SCP107210*	10S	.6250-0.05P-0.1L-DS	.391 [9.93]	.703 [17.86]	.562 [14.27]	.719 [18.26]	1.000 [25.40]	.150 [3.81]	.281 [7.14]	.469 [11.91]	.451 [11.46]
SCP107212*	12S	.7500-0.1P-0.2L-DS	.391 [9.93]	.703 [17.86]	.562 [14.27]	.812 [20.62]	1.094 [27.79]	.150 [3.81]	.281 [7.14]	.594 [15.09]	.451 [11.46]
SCP107213*	12	.7500-0.1P-0.2L-DS	.625 [15.88]	.891 [22.63]	.750 [19.05]	.812 [20.62]	1.094 [27.79]	.150 [3.81]	.469 [11.91]	.594 [15.09]	.700 [17.78]
SCP107214*	14S	.8750-0.1P-0.2L-DS	.391 [9.93]	.703 [17.86]	.562 [14.27]	.906 [23.01]	1.188 [30.18]	.150 [3.81]	.281 [7.14]	.719 [18.26]	.451 [11.46]
SCP107215*	14	.8750-0.1P-0.2L-DS	.625 [15.88]	.891 [22.63]	.750 [19.05]	.906 [23.01]	1.188 [30.18]	.150 [3.81]	.469 [11.91]	.719 [18.26]	.700 [17.78]
SCP107216*	16S	1.0000-0.1P-0.2L-DS	.391 [9.93]	.703 [17.86]	.562 [14.27]	.969 [24.61]	1.281 [32.54]	.150 [3.81]	.281 [7.14]	.844 [21.44]	.451 [11.46]
SCP107217*	16	1.0000-0.1P-0.2L-DS	.625 [15.88]	.891 [22.63]	.750 [19.05]	.969 [24.61]	1.281 [32.54]	.150 [3.81]	.469 [11.91]	.844 [21.44]	.700 [17.78]
SCP107218*	18	1.1250-0.1P-0.2L-DS	.625 [15.88]	.906 [23.01]	.750 [19.05]	1.062 [26.97]	1.375 [34.92]	.177 [4.50]	.453 [11.51]	.969 [24.61]	.686 [17.42]
SCP107220*	20	1.2500-0.1P-0.2L-DS	.625 [15.88]	.906 [23.01]	.750 [19.05]	1.156 [29.36]	1.500 [38.10]	.177 [4.50]	.453 [11.51]	1.125 [28.58]	.686 [17.42]
SCP107222*	22	1.3750-0.1P-0.2L-DS	.625 [15.88]	.906 [23.01]	.750 [19.05]	1.250 [31.75]	1.625 [41.27]	.177 [4.50]	.453 [11.51]	1.250 [31.75]	.686 [17.42]
SCP107224*	24	1.5000-0.1P-0.2L-DS	.625 [15.88]	1.000 [25.40]	.812 [20.62]	1.375 [34.92]	1.750 [44.45]	.177 [4.50]	.359 [9.12]	1.375 [34.93]	.585 [14.86]
SCP107228*	28	1.7500-0.1P-0.2L-DS	.625 [15.88]	1.000 [25.40]	.812 [20.62]	1.562 [39.67]	2.000 [50.80]	.177 [4.50]	.359 [9.12]	1.594 [40.49]	.591 [15.01]
SCP107232*	32	2.0000-0.1P-0.2L-DS	.625 [15.88]	1.063 [27.00]	.875 [22.23]	1.750 [44.45]	2.250 [57.15]	.209 [5.31]	.296 [7.52]	1.844 [46.84]	.528 [13.41]
SCP107236*	36	2.2500-0.1P-0.2L-DS	.625 [15.88]	1.063 [27.00]	.875 [22.23]	1.938 [49.23]	2.500 [63.50]	.209 [5.31]	.296 [7.52]	2.031 [51.59]	.528 [13.41]
SCP107240*	40	2.5000-0.1P-0.2L-DS	.625 [15.88]	1.063 [27.00]	.875 [22.23]	2.188 [55.58]	2.750 [69.85]	.209 [5.31]	.296 [7.52]	2.281 [57.94]	.528 [13.41]
SCP107244*	44	2.7500-0.1P-0.2L-DS	.625 [15.88]	1.063 [27.00]	.875 [22.23]	2.375 [60.32]	3.000 [76.20]	.209 [5.31]	.546 [13.87]	2.562 [65.07]	.769 [19.53]
SCP107248*	48	3.0000-0.1P-0.2L-DS	.625 [15.88]	1.063 [27.00]	.875 [22.23]	2.625 [66.67]	3.250 [82.55]	.209 [5.31]	.546 [13.87]	2.812 [71.42]	.769 [19.53]

Dimensions in brackets [ ] are in millimeters.

5A

# JAM NUT RECEPTACLE SWL SERIES

## SCP1079



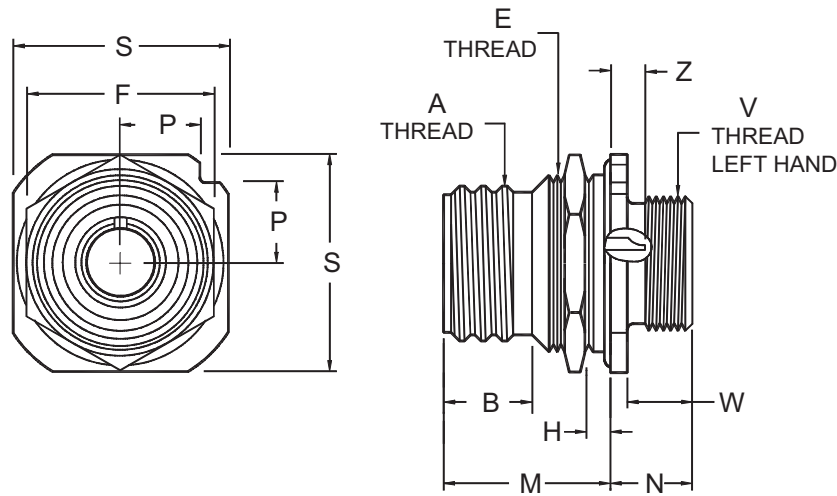
### SCP1079\* Environmental

PART NUMBER	SHELL SIZE	A THREAD CLASS 2A-DS	B ±.010 [±0.25]	C ±.005 [±0.13]	E THREAD CLASS 2A-RH	F HEX ±.016 [±0.41]	H PANEL THICKNESS		M ±.010 [±0.25]	P ±.010 [±0.25]	S ±.010 [±0.25]	Z MAX.
							MIN.	MAX.				
SCP107910-*	10S	.625-0.05P-0.1L	.385 [9.78]	.125 [3.18]	.6875-24UNEF	.875 [22.23]	.094 [2.39]	.227 [5.77]	.844 [21.44]	.375 [9.52]	1.062 [26.97]	.295 [7.49]
SCP107912-*	12S	.750-0.1P-0.2L	.385 [9.78]	.125 [3.18]	.875-20UNEF	1.062 [26.97]	.094 [2.39]	.200 [5.08]	.906 [23.01]	.442 [11.23]	1.250 [31.75]	.232 [5.89]
SCP107913-*	12	.750-0.1P-0.2L	.585 [14.86]	.125 [3.18]	.875-20UNEF	1.062 [26.97]	.094 [2.39]	.282 [7.16]	1.188 [30.18]	.442 [11.23]	1.250 [31.75]	.389 [9.88]
SCP107914-*	14S	.875-0.1P-0.2L	.385 [9.78]	.125 [3.18]	1.000-20UNEF	1.250 [31.75]	.094 [2.39]	.200 [5.08]	.906 [23.01]	.486 [12.34]	1.376 [34.95]	.232 [5.89]
SCP107915-*	14	.875-0.1P-0.2L	.585 [14.86]	.125 [3.18]	1.000-20UNEF	1.250 [31.75]	.094 [2.39]	.282 [7.16]	1.188 [30.18]	.486 [12.34]	1.376 [34.95]	.389 [9.88]
SCP107916-*	16S	1.000-0.1P-0.2L	.385 [9.78]	.125 [3.18]	1.125-18UNEF	1.312 [33.32]	.094 [2.39]	.200 [5.08]	.906 [23.01]	.530 [13.46]	1.500 [38.10]	.232 [5.89]
SCP107917-*	16	1.000-0.1P-0.2L	.585 [14.86]	.125 [3.18]	1.125-18UNEF	1.312 [33.32]	.094 [2.39]	.282 [7.16]	1.188 [30.18]	.530 [13.46]	1.500 [38.10]	.389 [9.88]
SCP107918-*	18	1.125-0.1P-0.2L	.585 [14.86]	.188 [4.78]	1.250-18UNEF	1.500 [38.10]	.094 [2.39]	.250 [6.35]	1.156 [29.36]	.623 [15.82]	1.750 [44.45]	.420 [10.67]
SCP107920-*	20	1.250-0.1P-0.2L	.585 [14.86]	.188 [4.78]	1.375-18UNEF	1.562 [39.67]	.094 [2.39]	.250 [6.35]	1.156 [29.36]	.663 [16.84]	1.875 [47.63]	.420 [10.67]
SCP107922-*	22	1.375-0.1P-0.2L	.585 [14.86]	.188 [4.78]	1.500-18UNEF	1.750 [44.45]	.094 [2.39]	.250 [6.35]	1.156 [29.36]	.707 [17.96]	2.000 [50.80]	.420 [10.67]
SCP107924-*	24	1.500-0.1P-0.2L	.585 [14.86]	.188 [4.78]	1.625-18UNEF	1.875 [47.62]	.094 [2.39]	.312 [7.92]	1.219 [30.96]	.751 [19.08]	2.125 [53.98]	.357 [9.07]
SCP107928-*	28	1.750-0.1P-0.2L	.585 [14.86]	.188 [4.78]	1.875-16UN	2.125 [53.97]	.094 [2.39]	.312 [7.92]	1.219 [30.96]	.840 [21.34]	2.375 [60.33]	.357 [9.07]
SCP107932-*	32	2.000-0.1P-0.2L	.585 [14.86]	.219 [5.56]	2.125-16UN	2.375 [60.32]	.094 [2.39]	.282 [7.16]	1.250 [31.75]	.928 [23.57]	2.625 [66.68]	.326 [8.28]
SCP107936-*	36	2.250-0.1P-0.2L	.585 [14.86]	.219 [5.56]	2.375-16UN	2.625 [66.67]	.094 [2.39]	.282 [7.16]	1.250 [31.75]	1.017 [25.83]	2.875 [73.03]	.326 [8.28]
SCP107940-*	40	2.500-0.1P-0.2L	.585 [14.86]	.219 [5.56]	2.625-16UN	2.875 [73.02]	.094 [2.39]	.282 [7.16]	1.250 [31.75]	1.104 [28.04]	3.125 [79.38]	.326 [8.28]
SCP107944-*	44	2.750-0.1P-0.2L	.585 [14.86]	.219 [5.56]	2.875-16UN	3.125 [79.37]	.094 [2.39]	.422 [10.72]	1.390 [35.31]	1.213 [30.81]	3.406 [86.51]	.436 [11.07]
SCP107948-*	48	3.000-0.1P-0.2L	.585 [14.86]	.219 [5.56]	3.125-16UN	3.375 [85.72]	.094 [2.39]	.422 [10.72]	1.390 [35.31]	1.299 [32.99]	3.656 [92.86]	.436 [11.07]

Dimensions in brackets [ ] are in millimeters.

# SWL SERIES JAM NUT RECEPTACLE

## SCP1073



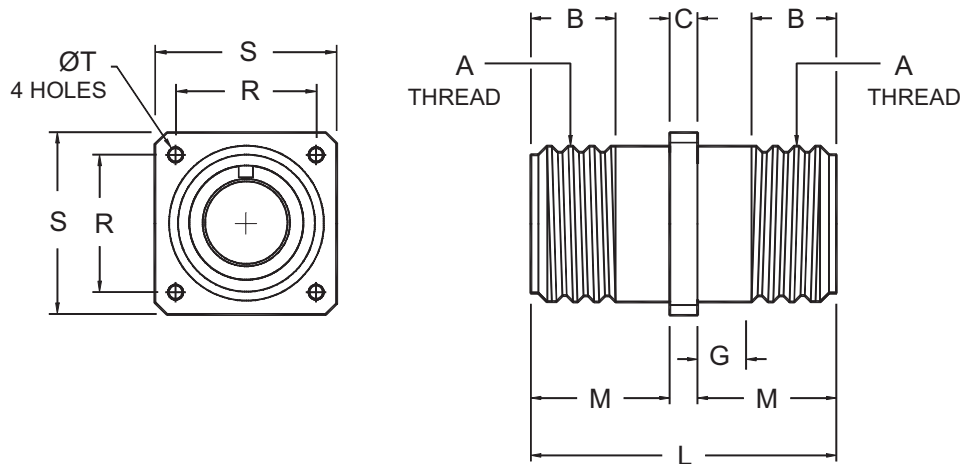
SCP1073\* Environmental

PART NUMBER	SHELL SIZE	A THREAD CLASS 2A-DS	B ±.010 [±0.25]	E THREAD CLASS 2A-RH	F HEX ±.010 [±0.25]	H PANEL THICKNESS		M ±.010 [±0.25]	N ±.015 [±0.38]	P ±.010 [±0.25]	S ±.010 [±0.25]	V THREAD CLASS 2A-LH	W ±.010 [±0.25]	Z MAX.
						MIN.	MAX.							
SCP107310-*	10S	.625-0.05P-0.1L	.385 [9.78]	.6875-24UNEF	.875 [22.23]	.094 [2.39]	.227 [5.77]	.844 [21.44]	.469 [11.91]	.375 [9.52]	1.062 [26.97]	.500-28UNEF	.344 [8.74]	.295 [7.49]
SCP107312-*	12S	.750-0.1P-0.2L	.385 [9.78]	.875-20UNEF	1.062 [26.97]	.094 [2.39]	.200 [5.08]	.906 [23.01]	.469 [11.91]	.442 [11.23]	1.250 [31.75]	.625-24UNEF	.344 [8.74]	.232 [5.89]
SCP107313-*	12	.750-0.1P-0.2L	.585 [14.86]	.875-20UNEF	1.062 [26.97]	.094 [2.39]	.188 [4.78]	1.094 [27.79]	.641 [16.28]	.442 [11.23]	1.250 [31.75]	.625-24UNEF	.516 [13.11]	.483 [12.27]
SCP107314-*	14S	.875-0.1P-0.2L	.385 [9.78]	1.000-20UNEF	1.250 [31.75]	.094 [2.39]	.200 [5.08]	.906 [23.01]	.469 [11.91]	.486 [12.34]	1.376 [34.95]	.750-20UNEF	.344 [8.74]	.232 [5.89]
SCP107315-*	14	.875-0.1P-0.2L	.585 [14.86]	1.000-20UNEF	1.250 [31.75]	.094 [2.39]	.188 [4.78]	1.094 [27.79]	.641 [16.28]	.486 [12.34]	1.376 [34.95]	.750-20UNEF	.516 [13.11]	.483 [12.27]
SCP107316-*	16S	1.000-0.1P-0.2L	.385 [9.78]	1.125-18UNEF	1.312 [33.32]	.094 [2.39]	.200 [5.08]	.906 [23.01]	.469 [11.91]	.530 [13.46]	1.500 [38.10]	.875-20UNEF	.344 [8.74]	.232 [5.89]
SCP107317-*	16	1.000-0.1P-0.2L	.585 [14.86]	1.125-18UNEF	1.312 [33.32]	.094 [2.39]	.188 [4.78]	1.094 [27.79]	.641 [16.28]	.530 [13.46]	1.500 [38.10]	.875-20UNEF	.516 [13.11]	.483 [12.27]
SCP107318-*	18	1.125-0.1P-0.2L	.585 [14.86]	1.250-18UNEF	1.500 [38.10]	.094 [2.39]	.203 [5.16]	1.109 [28.17]	.704 [17.88]	.623 [15.82]	1.750 [44.45]	1.000-20UNEF	.516 [13.11]	.467 [11.86]
SCP107320-*	20	1.250-0.1P-0.2L	.585 [14.86]	1.375-18UNEF	1.562 [39.67]	.094 [2.39]	.203 [5.16]	1.109 [28.17]	.704 [17.88]	.663 [16.84]	1.875 [47.63]	1.125-18UNEF	.516 [13.11]	.467 [11.86]
SCP107322-*	22	1.375-0.1P-0.2L	.585 [14.86]	1.500-18UNEF	1.750 [44.45]	.094 [2.39]	.203 [5.16]	1.109 [28.17]	.704 [17.88]	.707 [17.96]	2.000 [50.80]	1.250-18UNEF	.516 [13.11]	.467 [11.86]
SCP107324-*	24	1.500-0.1P-0.2L	.585 [14.86]	1.625-18UNEF	1.875 [47.62]	.094 [2.39]	.265 [6.73]	1.172 [29.77]	.704 [17.88]	.751 [19.08]	2.125 [53.98]	1.375-18UNEF	.516 [13.11]	.404 [10.26]
SCP107328-*	28	1.750-0.1P-0.2L	.585 [14.86]	1.875-16UN	2.125 [53.97]	.094 [2.39]	.265 [6.73]	1.172 [29.77]	.704 [17.88]	.840 [21.34]	2.375 [60.33]	1.625-18UNEF	.516 [13.11]	.404 [10.26]
SCP107332-*	32	2.000-0.1P-0.2L	.585 [14.86]	2.125-16UN	2.375 [60.32]	.094 [2.39]	.203 [5.16]	1.172 [29.77]	.735 [18.67]	.928 [23.57]	2.625 [66.68]	1.875-16UN	.516 [13.11]	.404 [10.26]
SCP107336-*	36	2.250-0.1P-0.2L	.585 [14.86]	2.375-16UN	2.625 [66.67]	.094 [2.39]	.203 [5.16]	1.172 [29.77]	.735 [18.67]	1.017 [25.83]	2.875 [73.03]	2.0625-16UNS	.516 [13.11]	.404 [10.26]
SCP107340-*	40	2.500-0.1P-0.2L	.585 [14.86]	2.625-16UN	2.875 [73.02]	.094 [2.39]	.203 [5.16]	1.172 [29.77]	.735 [18.67]	1.104 [28.04]	3.125 [79.38]	2.3125-16UNS	.516 [13.11]	.404 [10.26]
SCP107344-*	44	2.750-0.1P-0.2L	.585 [14.86]	2.875-16UN	3.125 [79.37]	.094 [2.39]	.265 [6.73]	1.234 [31.34]	.922 [23.42]	1.213 [30.81]	3.406 [86.51]	2.625-16UN	.703 [17.86]	.593 [15.06]
SCP107348-*	48	3.000-0.1P-0.2L	.585 [14.86]	3.125-16UN	3.375 [85.72]	.094 [2.39]	.265 [6.73]	1.234 [31.34]	.922 [23.42]	1.299 [32.99]	3.656 [92.86]	2.875-16UN	.703 [17.86]	.593 [15.06]

Dimensions in brackets [ ] are in millimeters.

# THRU-BULKHEAD RECEPTACLE SWL SERIES

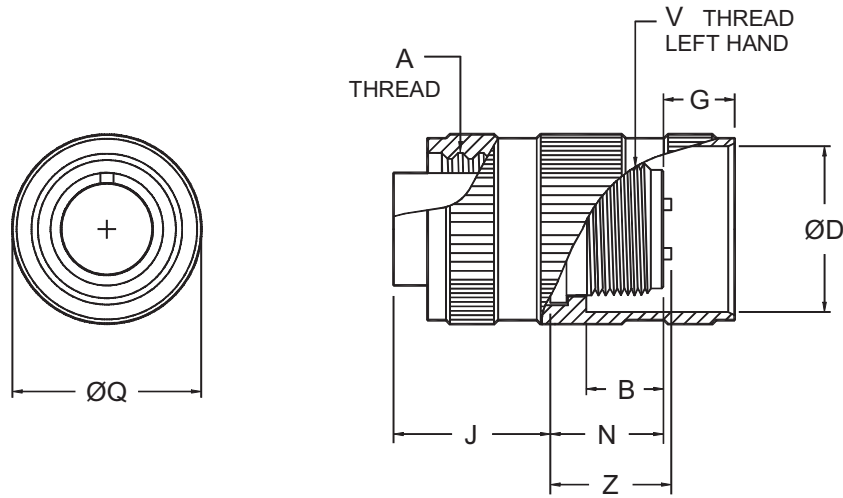
## SCP1074



SCP1074\* Environmental

PART NUMBER	SHELL SIZE	A THREAD CLASS 2A	B MIN. FULL THREAD	C REF.	G MAX. BULKHEAD THICKNESS	±.015 L FULL THREAD [±0.38]	+0.000 -.010 M [+0.00] [-0.25]	±.005 R [±0.13]	±.020 S [±0.51]	+0.004 -.002 T [+0.10] [-0.05]
SCP107410.*	10S	.6250-0.05P-0.1L-DS	.406 [10.31]	.141 [3.58]	.266 [6.76]	1.563 [39.70]	.711 [18.06]	.719 [18.26]	1.000 [25.40]	.120 [3.05]
SCP107412.*	12S	.7500-0.1P-0.2L-DS	.406 [10.31]	.141 [3.58]	.266 [6.76]	1.563 [39.70]	.711 [18.06]	.812 [20.62]	1.094 [27.79]	.120 [3.05]
SCP107413.*	12	.7500-0.1P-0.2L-DS	.625 [15.88]	.155 [3.94]	.312 [7.92]	2.125 [53.98]	.985 [25.02]	.812 [20.62]	1.094 [27.79]	.120 [3.05]
SCP107414.*	14S	.8750-0.1P-0.2L-DS	.406 [10.31]	.141 [3.58]	.266 [6.76]	1.563 [39.70]	.711 [18.06]	.906 [23.01]	1.188 [30.18]	.120 [3.05]
SCP107415.*	14	.8750-0.1P-0.2L-DS	.625 [15.88]	.155 [3.94]	.312 [7.92]	2.125 [53.98]	.985 [25.02]	.906 [23.01]	1.188 [30.18]	.120 [3.05]
SCP107416.*	16S	1.0000-0.1P-0.2L-DS	.406 [10.31]	.141 [3.58]	.266 [6.76]	1.563 [39.70]	.711 [18.06]	.969 [24.61]	1.281 [32.54]	.120 [3.05]
SCP107417.*	16	1.0000-0.1P-0.2L-DS	.625 [15.88]	.155 [3.94]	.312 [7.92]	2.125 [53.98]	.985 [25.02]	.969 [24.61]	1.281 [32.54]	.120 [3.05]
SCP107418.*	18	1.1250-0.1P-0.2L-DS	.625 [15.88]	.155 [3.94]	.312 [7.92]	2.125 [53.98]	.985 [25.02]	1.062 [26.97]	1.375 [34.92]	.120 [3.05]
SCP107420.*	20	1.2500-0.1P-0.2L-DS	.625 [15.88]	.155 [3.94]	.312 [7.92]	2.125 [53.98]	.985 [25.02]	1.156 [29.36]	1.500 [38.10]	.120 [3.05]
SCP107422.*	22	1.3750-0.1P-0.2L-DS	.625 [15.88]	.155 [3.94]	.312 [7.92]	2.125 [53.98]	.985 [25.02]	1.250 [31.75]	1.625 [41.27]	.120 [3.05]
SCP107424.*	24	1.5000-0.1P-0.2L-DS	.625 [15.88]	.155 [3.94]	.312 [7.92]	2.125 [53.98]	.985 [25.02]	1.375 [34.92]	1.750 [44.45]	.147 [3.73]
SCP107428.*	28	1.7500-0.1P-0.2L-DS	.625 [15.88]	.155 [3.94]	.312 [7.92]	2.125 [53.98]	.985 [25.02]	1.562 [39.67]	2.000 [50.80]	.147 [3.73]
SCP107432.*	32	2.0000-0.1P-0.2L-DS	.625 [15.88]	.155 [3.94]	.312 [7.92]	2.125 [53.98]	.985 [25.02]	1.750 [44.45]	2.250 [57.15]	.173 [4.39]
SCP107436.*	36	2.2500-0.1P-0.2L-DS	.625 [15.88]	.155 [3.94]	.312 [7.92]	2.125 [53.98]	.985 [25.02]	1.938 [49.23]	2.500 [63.50]	.173 [4.39]
SCP107440.*	40	2.5000-0.1P-0.2L-DS	.625 [15.88]	.155 [3.94]	.312 [7.92]	2.125 [53.98]	.985 [25.02]	2.188 [55.58]	2.750 [69.85]	.173 [4.39]
SCP107444.*	44	2.7500-0.1P-0.2L-DS	.625 [15.88]	.155 [3.94]	.438 [11.13]	2.375 [60.33]	1.110 [28.19]	2.375 [60.32]	3.000 [76.20]	.209 [5.31]
SCP107448.*	48	3.0000-0.1P-0.2L-DS	.625 [15.88]	.155 [3.94]	.438 [11.13]	2.375 [60.33]	1.110 [28.19]	2.625 [66.67]	3.250 [82.55]	.209 [5.31]

Dimensions in brackets [ ] are in millimeters.



**SCP1076\* Environmental**

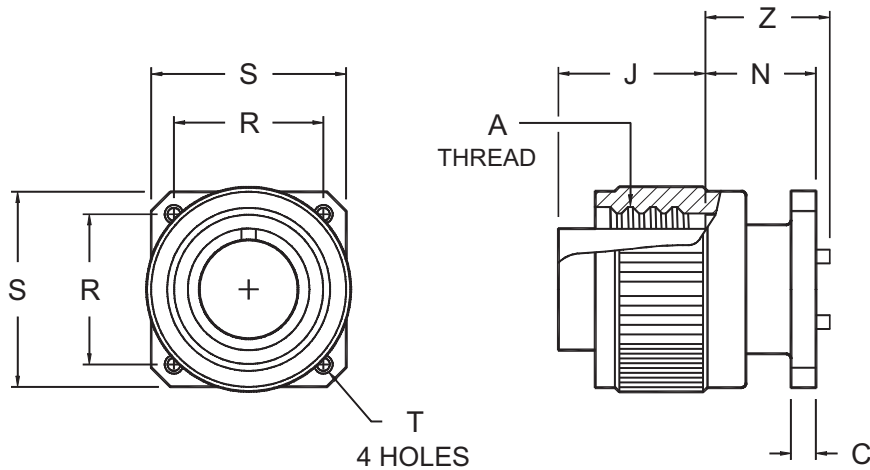
PART NUMBER	SHELL SIZE	A THREAD CLASS 2B	B ±.020 [±0.51]	ØD +.010-.000 [+0.25] [-0.00]	G ±.030 [±0.76]	J ±.005 [±0.13]	N ±.010 [±0.25]	ØQ MAX.	V THREAD CLASS 2A-LH	Z MAX.
SCP107610*	10S	.6250-0.05P-0.1L-DS	.406 [10.31]	.735 [18.67]	.053 [1.35]	.531 [13.49]	.563 [14.30]	.882 [22.40]	.5000-28 UNEF	.603 [15.32]
SCP107612*	12S	.7500-0.1P-0.2L-DS	.406 [10.31]	.859 [21.82]	.109 [2.77]	.531 [13.49]	.563 [14.30]	1.010 [25.65]	.6250-24 UNEF	.603 [15.32]
SCP107613*	12	.7500-0.1P-0.2L-DS	.578 [14.68]	.859 [21.82]	.077 [1.96]	.719 [18.26]	.750 [19.05]	1.010 [25.65]	.6250-24 UNEF	.852 [21.64]
SCP107614*	14S	.8750-0.1P-0.2L-DS	.406 [10.31]	.985 [25.02]	.234 [5.94]	.531 [13.49]	.563 [14.30]	1.137 [28.88]	.7500-20 UNEF	.603 [15.32]
SCP107615*	14	.8750-0.1P-0.2L-DS	.578 [14.68]	.985 [25.02]	.077 [1.96]	.719 [18.26]	.750 [19.05]	1.137 [28.88]	.7500-20 UNEF	.852 [21.64]
SCP107616*	16S	1.0000-0.1P-0.2L-DS	.406 [10.31]	1.109 [28.17]	.234 [5.94]	.531 [13.49]	.563 [14.30]	1.264 [32.11]	.8750-20 UNEF	.603 [15.32]
SCP107617*	16	1.0000-0.1P-0.2L-DS	.578 [14.68]	1.109 [28.17]	.141 [3.58]	.719 [18.26]	.750 [19.05]	1.264 [32.11]	.8750-20 UNEF	.852 [21.64]
SCP107618*	18	1.1250-0.1P-0.2L-DS	.578 [14.68]	1.235 [31.37]	.266 [6.76]	.719 [18.26]	.750 [19.05]	1.455 [36.96]	1.0000-20 UNEF	.852 [21.64]
SCP107620*	20	1.2500-0.1P-0.2L-DS	.578 [14.68]	1.359 [34.52]	.266 [6.76]	.719 [18.26]	.750 [19.05]	1.551 [39.40]	1.1250-18 UNEF	.852 [21.64]
SCP107622*	22	1.3750-0.1P-0.2L-DS	.578 [14.68]	1.485 [37.72]	.266 [6.76]	.719 [18.26]	.750 [19.05]	1.678 [42.62]	1.2500-18 UNEF	.852 [21.64]
SCP107624*	24	1.5000-0.1P-0.2L-DS	.594 [15.09]	1.609 [40.87]	.266 [6.76]	.719 [18.26]	.812 [20.62]	1.806 [45.87]	1.3750-18 UNEF	.852 [21.64]
SCP107628*	28	1.7500-0.1P-0.2L-DS	.594 [15.09]	1.859 [47.22]	.266 [6.76]	.719 [18.26]	.812 [20.62]	2.060 [52.32]	1.6250-18 UNEF	.852 [21.64]
SCP107632*	32	2.0000-0.1P-0.2L-DS	.594 [15.09]	2.109 [53.57]	.266 [6.76]	.719 [18.26]	.875 [22.23]	2.315 [58.80]	1.8750-16 UN	.852 [21.64]
SCP107636*	36	2.2500-0.1P-0.2L-DS	.556 [14.12]	2.359 [59.92]	.285 [7.24]	.719 [18.26]	.875 [22.23]	2.569 [65.25]	2.0625-16 UNS	.852 [21.64]
SCP107640*	40	2.5000-0.1P-0.2L-DS	.556 [14.12]	2.609 [66.27]	.285 [7.24]	.719 [18.26]	.875 [22.23]	2.864 [72.75]	2.3125-16 UNS	.852 [21.64]
SCP107644*	44	2.7500-0.1P-0.2L-DS	.700 [17.78]	2.922 [74.22]	.141 [3.58]	.719 [18.26]	1.000 [25.40]	3.142 [79.81]	2.6250-16 UN	1.103 [28.02]
SCP107648*	48	3.0000-0.1P-0.2L-DS	.719 [18.26]	3.172 [80.57]	.141 [3.58]	.719 [18.26]	1.000 [25.40]	3.381 [85.88]	2.8750-16 UN	1.093 [27.76]

Dimensions in brackets [ ] are in millimeters.

5A

# WALL MOUNT PLUG SWL SERIES

## SCP1077



### SCP1077\* Environmental

PART NUMBER	SHELL SIZE	A THREAD CLASS 2B	C ±.005 [±0.13]	J ±.005 [±0.13]	N ±.020 [±0.51]	R ±.005 [±0.13]	S ±.020 [±0.51]	T THREAD	Z MAX.
SCP107710-*	10S	.6250-0.05P-0.1L-DS	.125 [3.18]	.531 [13.49]	.438 [11.13]	.562 [14.27]	.781 [19.84]	4-40 NC	.602 [15.29]
SCP107712-*	12S	.7500-0.1P-0.2L-DS	.156 [3.96]	.531 [13.49]	.438 [11.13]	.812 [20.62]	1.062 [26.97]	4-40 NC	.602 [15.29]
SCP107713-*	12	.7500-0.1P-0.2L-DS	.156 [3.96]	.719 [18.26]	.688 [17.48]	.812 [20.62]	1.062 [26.97]	4-40 NC	.852 [21.64]
SCP107714-*	14S	.8750-0.1P-0.2L-DS	.156 [3.96]	.531 [13.49]	.438 [11.13]	.812 [20.62]	1.062 [26.97]	4-40 NC	.602 [15.29]
SCP107715-*	14	.8750-0.1P-0.2L-DS	.156 [3.96]	.719 [18.26]	.688 [17.48]	.812 [20.62]	1.062 [26.97]	4-40 NC	.852 [21.64]
SCP107716-*	16S	1.0000-0.1P-0.2L-DS	.156 [3.96]	.531 [13.49]	.438 [11.13]	1.000 [25.40]	1.312 [33.32]	6-32 NC	.602 [15.29]
SCP107717-*	16	1.0000-0.1P-0.2L-DS	.156 [3.96]	.719 [18.26]	.688 [17.48]	1.000 [25.40]	1.312 [33.32]	6-32 NC	.852 [21.64]
SCP107718-*	18	1.1250-0.1P-0.2L-DS	.156 [3.96]	.719 [18.26]	.688 [17.48]	1.000 [25.40]	1.312 [33.32]	6-32 NC	.852 [21.64]
SCP107720-*	20	1.2500-0.1P-0.2L-DS	.188 [4.78]	.719 [18.26]	.688 [17.48]	1.250 [31.75]	1.625 [41.28]	10-32 NF	.852 [21.64]
SCP107722-*	22	1.3750-0.1P-0.2L-DS	.188 [4.78]	.719 [18.26]	.688 [17.48]	1.250 [31.75]	1.625 [41.28]	10-32 NF	.852 [21.64]
SCP107724-*	24	1.5000-0.1P-0.2L-DS	.188 [4.78]	.719 [18.26]	.688 [17.48]	1.562 [39.67]	2.000 [50.80]	10-32 NF	.852 [21.64]
SCP107728-*	28	1.7500-0.1P-0.2L-DS	.188 [4.78]	.719 [18.26]	.688 [17.48]	1.562 [39.67]	2.000 [50.80]	10-32 NF	.852 [21.64]
SCP107732-*	32	2.0000-0.1P-0.2L-DS	.250 [6.35]	.719 [18.26]	.781 [19.84]	1.812 [46.02]	2.500 [63.50]	10-32 NF	.852 [21.64]
SCP107736-*	36	2.2500-0.1P-0.2L-DS	.250 [6.35]	.719 [18.26]	.781 [19.84]	1.812 [46.02]	2.500 [63.50]	10-32 NF	.852 [21.64]
SCP107740-*	40	2.5000-0.1P-0.2L-DS	.250 [6.35]	.719 [18.26]	.781 [19.84]	2.250 [57.15]	3.031 [76.99]	10-32 NF	.852 [21.64]
SCP107744-*	44	2.7500-0.1P-0.2L-DS	.250 [6.35]	.719 [18.26]	1.000 [25.40]	2.375 [60.33]	3.031 [76.99]	10-32 NF	.852 [21.64]
SCP107748-*	48	3.0000-0.1P-0.2L-DS	.250 [6.35]	.719 [18.26]	1.000 [25.40]	2.562 [65.07]	3.250 [82.55]	10-32 NF	.852 [21.64]

Dimensions in brackets [ ] are in millimeters.

# SECTION 6A SWL SERIES

## CONNECTOR ACCESSORY QUICK REFERENCE

(FOR COMPLETE DETAILS ON THESE PARTS SEE **SPACECRAFT CATALOG 401**)

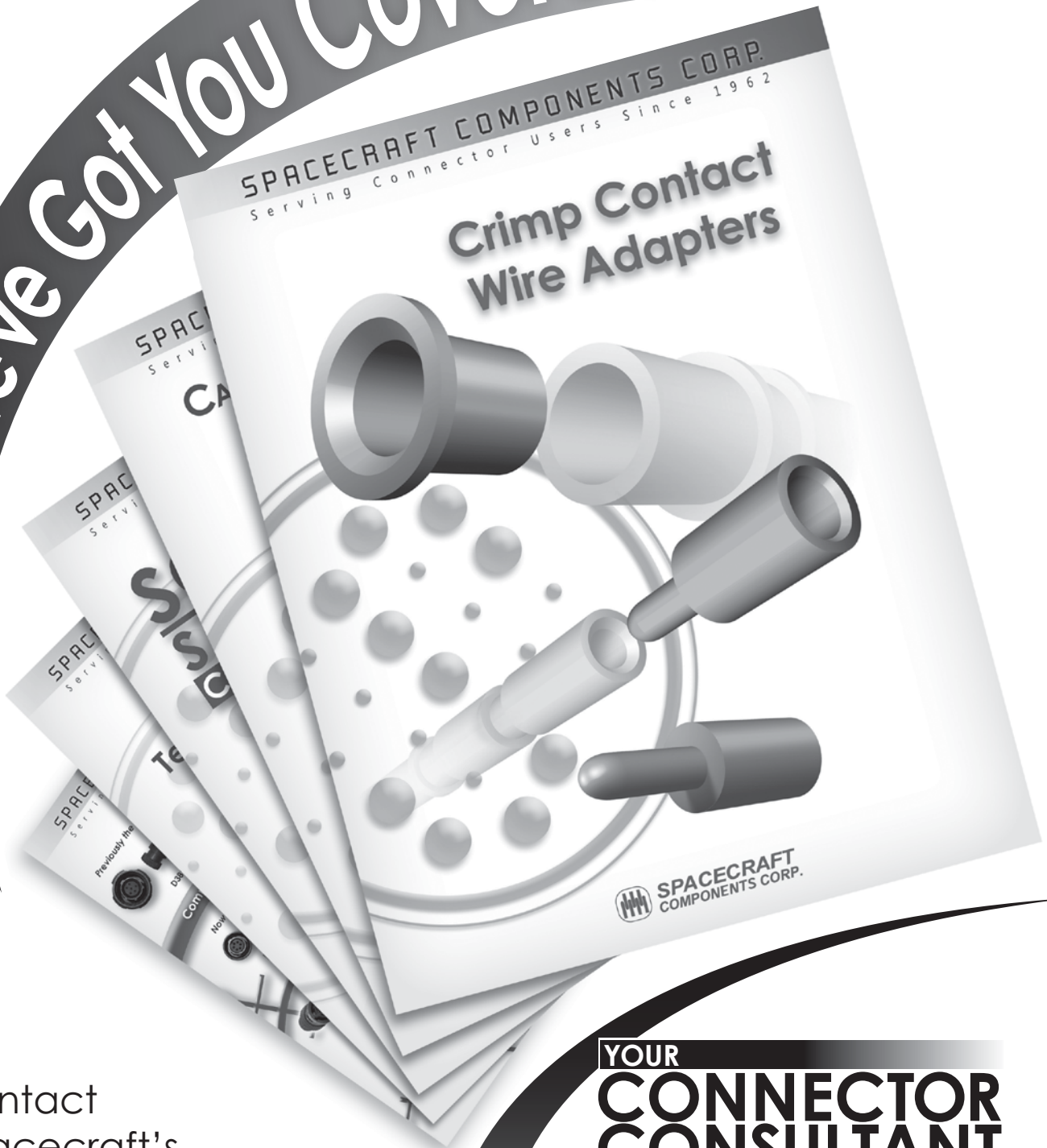
ACCESSORY	PART NUMBER
<b>BACKSHELLS, ENVIRONMENTAL</b>	
STRAIGHT - CABLE SEALING GLAND	SCP101333-*
	SCP101335-*
STRAIGHT - CABLE SEALING GLAND - WITH KELLUMS GRIP	SCP101332-*
	SCP101334-*
	SCP113637-*
STRAIGHT - CABLE SEALING ADAPTER	SCP113138-*
	SCP113196-*
	B002A-AM
	B002B-AM
STRAIGHT - FOR ANAMET CONDUIT	B031*AM
STRAIGHT - FOR PG ADAPTERS	B033*AM
STRAIGHT - FOR PIPE THREAD (PT) ADAPTERS	B035*AM
STRAIGHT - FOR SEALTITE™ LIQUIDTITE CONDUIT	B037*AM
45° - CABLE SEALING GLAND	B002CC-AM
90° - CABLE SEALING GLAND	B002D-AM
<b>BACKSHELLS, SHORTING CANS</b>	
	B012*AM
	B013*AM

\* Additional alpha-numeric are required to complete part number.  
1. Contact sales department for part numbers and availability.

ACCESSORY	PART NUMBER
<b>BACKSHELLS, STRAIN RELIEFS/CABLE CLAMPS</b>	
CABLE CLAMP	MS3057-*B
	MS3057-*C
INDIVIDUAL WIRE SEALING	SCP749**.*
<b>BACKSHELLS, SHRINK BOOT ADAPTERS</b>	
STRAIGHT BOOT ADAPTER	B006A-AM
	B006B-AM
<b>DUMMY RECEPTACLES</b>	
	SCP1075**
<b>DUST CAPS</b>	
METAL, FOR PLUG	SCP101046-*
	SCP101531-*
METAL, FOR RECEPTACLE	SCP101048-*
	SCP101063-*
<b>GASKET FOR FLANGE MOUNT RECEPTACLES</b>	
	SCP36675-*
	SCP40450-*
<b>MOUNTING PLATES</b>	
	NOTE 1
<b>RUBBER BUSHINGS</b>	
	MS3420-*A

6A

**We've Got You Covered**



Contact  
Spacecraft's  
Consultative Sales Team  
for Ordering Information



**YOUR  
CONNECTOR  
CONSULTANT  
SINCE 1962**

 **SPACECRAFT  
COMPONENTS CORP.**

**702.851.7600**

# SECTION 7A

## SWLD SERIES

### CONNECTORS

- Equivalent to the Amphenol/Bendix QWLD as well as the ITT Cannon CWLD Series.
- HIGH CURRENT CAPACITY for power distribution network and inputs into large equipment.
- RUGGED CONSTRUCTION consists of high strength machined aluminum shells with a choice of either a conductive or non-conductive finish. Shock resistant resilient inserts. Gaskets and/or "O" rings at appropriate surfaces for perfect weathertight connections.
- EASE OF OPERATION with fast coupling, double stub threads, left hand accessory threads and single keyway mating.
- INSERT AVAILABILITY - Both MS and custom insert patterns available to accommodate a wide variety of multiconductor cables.

7A

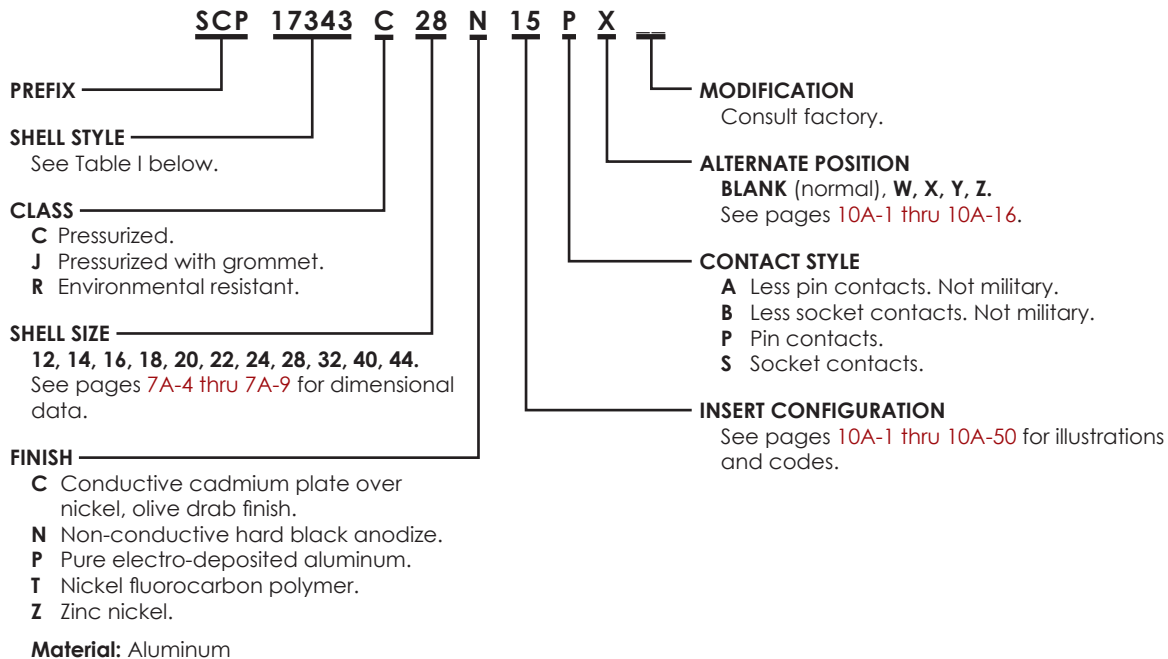
#### OPERATING CHARACTERISTICS

CONDITION	CONFIGURATION	DESCRIPTION	REFERENCE
DURABILITY	MATED	500 complete mating/unmating cycles	MIL-DTL-22992
FLUID IMMERSION	UNMATED	20 hours immersion in hydraulic fluid and lubricating oil	MIL-DTL-22992
HIGH IMPACT	MATED	Nine hammer blows from 1, 3 and 5 feet, three each in three axes on mounting panel	MIL-STD-202 method 207
MOISTURE RESISTANCE (Cable mounted connectors)	MATED	Ten complete 24 hour cycles of +25°C to +65°C temperature at 90% to 98% humidity	MIL-STD-202 method 106
SALT SPRAY (CORROSION)	UNMATED	48 hour exposure to atomized 5% saline solution at +35°C	MIL-STD-1344 method 1001
THERMAL SHOCK	UNMATED	Five complete one hour temperature cycles of -55°C to +125°C	MIL-STD-1344 method 1003 test condition
VIBRATION	MATED	10 TO 55 Hz, 06 inch total excursion in 1 minute cycles for 6 hours 55 to 2000 Hz, 10G peak amplitude sweep	MIL-STD-1344 method 2005
WATER IMMERSION	MATED	4 hours immersion at 1 atmosphere pressure differential	MIL-DTL-22992

# SWLD SERIES

## ORDERING INFORMATION

MIL-DTL-22992 CLASS C, J & R



**TABLE I. SHELL STYLE**

SHELL STYLE	DESCRIPTION	SEE PAGE
SCP17343	Wall mount receptacle	7A-4
SCP17344	Plug	7A-5
SCP17345	In-line receptacle	7A-6
SCP17346	Box mount receptacle	7A-7
SCP17347	Jam nut receptacle, wall mount	7A-8
SCP17348	Jam nut receptacle, box mount	7A-9

# SWLD SERIES

## ORDERING INFORMATION

**SCP194 0 28 - 15 P B88**

**SERIES PREFIX**

**SHELL STYLE**

See Table I below.

**SHELL SIZE**

SWLD	10	12	13	14	15	16	17	18	20
MIL-C-5015	10S	12S	12	14S	14	16S	16	18	20

SWLD	22	24	28	32	36	40	44	48
MIL-C-5015	22	24	28	32	36	40	44	48

**INSERT CONFIGURATION**

See pages 10A-1 thru 10A-50 for illustrations and codes.

**CONTACT STYLE/ALTERNATE POSITION**

This Series utilizes a single letter code for both Contact Style and Alternate Position. Select the code from the Table below. See pages 10A-1 thru 10A-16 for Alternate Positions available for each Insert Configuration.

CODE		ALTERNATE POSITION
PIN	SOCKET	
P	S	NORMAL
G	H	W
I	J	X
K	L	Y
M	N	Z

**MODIFICATION**

- BLANK** Solder type contacts, silver plated (Standard).
- B68** Solder type contacts, plated .00005 gold over silver. Size 8, 4 and 1/0 contacts have filled solder pots.
- B75** Crimp type contacts, silver plated.
- B80** Less contacts.
- B81** Crimp type contacts, plated .0001 gold over silver.
- B82** Crimp type contacts for MIL-C-13777 cable, silver plated.
- B83** Crimp type contacts for MIL-C-13777 cable, plated .0001 gold over silver.
- B85** Crimp type contacts plated .00005 gold over silver.

The above modifications utilize connector shells with a non-conductive hard anodize finish Alumilite 225® over aluminum.

- B88** Solder contact, olive drab plating over nickel conductive finish.
- SLN** Self-locking coupling nut.

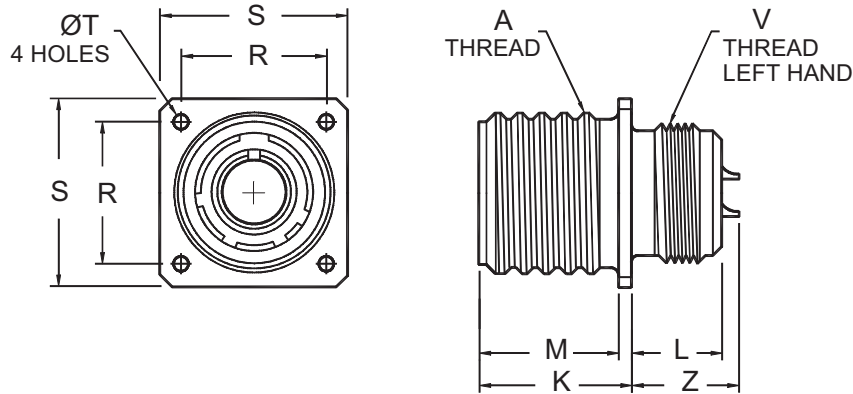
**TABLE I. SHELL STYLE**

SHELL STYLE	DESCRIPTION	SEE PAGE
<b>SCP1940</b>	Wall mount receptacle	7A-4
<b>SCP1941</b>	In-line receptacle	7A-6
<b>SCP1942</b>	Box mount receptacle	7A-7
<b>SCP1943</b>	Jam nut receptacle, wall mount	7A-8
<b>SCP1946</b>	Plug	7A-5
<b>SCP1949</b>	Jam nut receptacle, box mount	7A-9

7A

# WALL MOUNT RECEPTACLE SWLD SERIES

SCP1940  
SCP17343

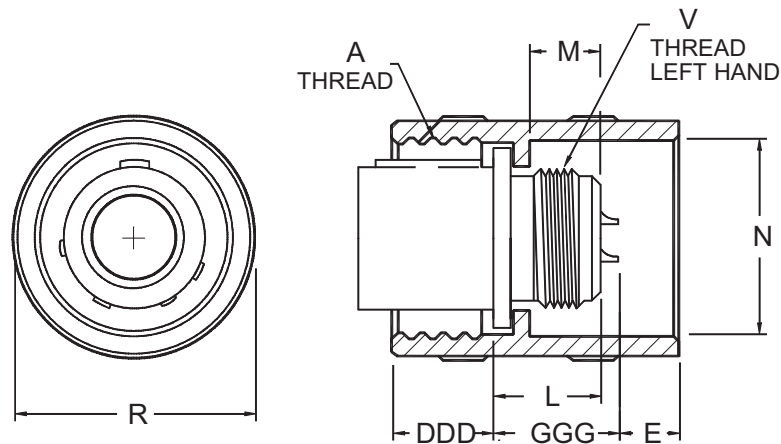


## SCP1940\* Environmental SCP17343\* Environmental

SHELL SIZE	A THREAD CLASS 2A	K +.021 -.020 [+0.53] [-0.51]	L ±.020 [±0.51]	M +.010 -.000 [+0.25] [-0.00]	R (TP)	S +.021 -.020 [+0.53] [-0.51]	T ±.005 [±0.13]	V THREAD CLASS 2A-LH	Z	
									MAX.	MIN.
									②	(SIZE 0 ONLY)
12	.875-0.1P-0.2L-DS	.938 [23.83]	.640 [16.26]	.797 [20.24]	.906 [23.01]	1.188 [30.18]	.150 [3.81]	.7500-20 UNEF	.726 [18.44]	NA
14	1.0000-0.1P-0.2L-DS	.938 [23.83]	.640 [16.26]	.797 [20.24]	.969 [24.61]	1.281 [32.54]	.150 [3.81]	.8750-20 UNEF	.726 [18.44]	
16	1.1250-0.1P-0.2L-DS	.938 [23.83]	.640 [16.26]	.797 [20.24]	1.062 [26.97]	1.375 [34.92]	.150 [3.81]	1.0000-20 UNEF	.726 [18.44]	
18	1.2500-0.1P-0.2L-DS	.953 [24.21]	.625 [15.87]	.797 [20.24]	1.156 [29.36]	1.500 [38.10]	.177 [4.50]	1.1250-18 NEF	.711 [18.06]	
20	1.3750-0.1P-0.2L-DS	.953 [24.21]	.625 [15.87]	.797 [20.24]	1.250 [31.75]	1.625 [41.27]	.177 [4.50]	1.2500-18 NEF	.711 [18.06]	.780 [19.81]
22	1.5000-0.1P-0.2L-DS	.953 [24.21]	.625 [15.87]	.797 [20.24]	1.375 [34.92]	1.750 [44.45]	.177 [4.50]	1.3750-18 NEF	.711 [18.06]	.686 [17.42]
24	1.7500-0.1P-0.2L-DS	1.047 [26.59]	.594 [15.09]	.859 [21.82]	1.562 [39.67]	2.000 [50.80]	.177 [4.50]	1.6250-18 NEF	.617 [15.67]	
28	2.0000-0.1P-0.2L-DS	1.047 [26.59]	.594 [15.09]	.859 [21.82]	1.750 [44.45]	2.250 [57.15]	.177 [4.50]	1.8750-16 UN	.617 [15.67]	.622 [15.80]
32	2.2500-0.1P-0.2L-DS	1.111 [28.22]	.530 [13.46]	.922 [23.42]	1.938 [49.23]	2.500 [63.50]	.209 [5.31]	2.0625-16 N	.553 [14.05]	
36	2.5000-0.1P-0.2L-DS	1.111 [28.22]	.530 [13.46]	.922 [23.42]	2.188 [55.58]	2.750 [69.85]	.209 [5.31]	2.3125-16 N	.553 [14.05]	.622 [15.80]
40	2.7500-0.1P-0.2L-DS	1.111 [28.22]	.703 [17.86]	.922 [23.42]	2.375 [60.32]	3.000 [76.20]	.209 [5.31]	2.6250-16 UN	.553 [14.05]	.622 [15.80]
44	3.0000-0.1P-0.2L-DS	1.109 [28.17]	.703 [17.86]	.922 [23.42]	2.625 [66.67]	3.250 [82.55]	.209 [5.31]	2.8750-16 UN	.797 [20.24]	.622 [15.80]

Dimensions in brackets [ ] are in millimeters.

② For size 0 contacts only, increase Z dimension by .312 [7.92] for shell sizes 12 thru 40, and by .062 [1.57] for shell size 44.



**SCP1946\* Environmental**  
**SCP17344\* Environmental**

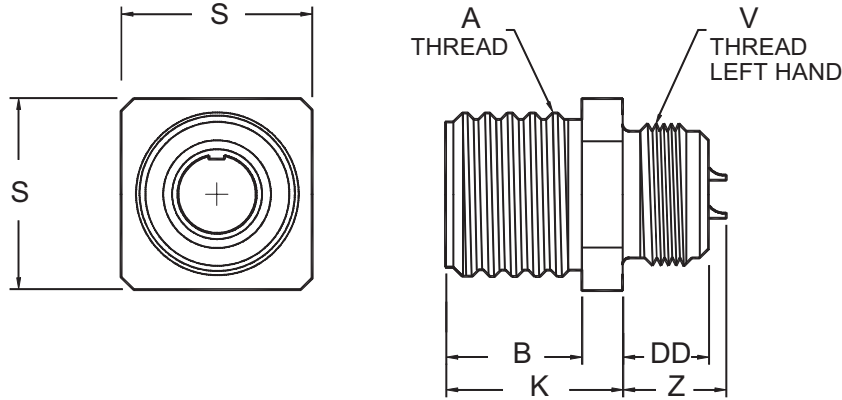
SHELL SIZE	A THREAD CLASS 2B	E MAX.	L +.011 -.010 [+0.28] [-0.25]	M ±.031 [±0.79]	ØN +.010 -.001 [+0.25] [-0.03]	ØR MAX.	V THREAD CLASS 2A-LH	DDD	GGG MAX.
12	.875-0.1P-0.2L-DS	.100 [2.54]	.738 [18.75]	.529 [13.44]	.985 [25.02]	1.156 [29.36]	.7500-20 UNEF	.655/.593 [16.64/15.06]	.898 [22.81]
14	1.0000-0.1P-0.2L-DS	.100 [2.54]	.738 [18.75]	.529 [13.44]	1.109 [28.17]	1.281 [32.54]	.8750-20 UNEF	.655/.593 [16.64/15.06]	.898 [22.81]
16	1.1250-0.1P-0.2L-DS	.150 [3.81]	.738 [18.75]	.529 [13.44]	1.235 [31.37]	1.469 [37.31]	1.0000-20 UNEF	.655/.593 [16.64/15.06]	.898 [22.81]
18	1.2500-0.1P-0.2L-DS	.275 [6.98]	.738 [18.75]	.529 [13.44]	1.359 [34.52]	1.563 [39.70]	1.1250-18 NEF	.655/.593 [16.64/15.06]	.898 [22.81]
20	1.3750-0.1P-0.2L-DS	.275 [6.98]	.738 [18.75]	.529 [13.44]	1.485 [37.72]	1.688 [42.88]	1.2500-18 NEF	.655/.593 [16.64/15.06]	.898 [22.81]
22	1.5000-0.1P-0.2L-DS	.275 [6.98]	.738 [18.75]	.529 [13.44]	1.609 [40.87]	1.844 [46.84]	1.3750-18 NEF	.655/.593 [16.64/15.06]	.898 [22.81]
24	1.7500-0.1P-0.2L-DS	.275 [6.98]	.800 [20.32]	.529 [13.44]	1.859 [47.22]	2.094 [53.19]	1.6250-18 NEF	.655/.593 [16.64/15.06]	.898 [22.81]
28	2.0000-0.1P-0.2L-DS	.275 [6.98]	.800 [20.32]	.529 [13.44]	2.109 [53.57]	2.344 [59.54]	1.8750-16 UN	.655/.593 [16.64/15.06]	.898 [22.81]
32	2.2500-0.1P-0.2L-DS	.275 [6.98]	.875 [22.22]	.529 [13.44]	2.359 [59.92]	2.594 [65.89]	2.0625-16 N	.677/.610 [17.20/15.49]	.898 [22.81]
36	2.5000-0.1P-0.2L-DS	.300 [7.62]	.875 [22.22]	.529 [13.44]	2.609 [66.27]	2.844 [72.24]	2.3125-16 N	.701/.634 [17.80/16.10]	.898 [22.81]
40	2.7500-0.1P-0.2L-DS	.100 [2.54]	1.041 [26.44]	.717 [18.21]	2.922 [74.22]	3.156 [80.16]	2.6250-16 UN	.679/.618 [17.25/15.70]	.898 [22.81]
44	3.0000-0.1P-0.2L-DS	.109 [2.77]	1.041 [26.44]	.717 [18.21]	3.172 [80.57]	3.406 [86.51]	2.8750-16 UN	.679/.618 [17.25/15.70]	1.062 [26.97]

Dimensions in brackets [ ] are in millimeters.

7A

# IN-LINE RECEPTACLE SWLD SERIES

SCP1941  
SCP17345

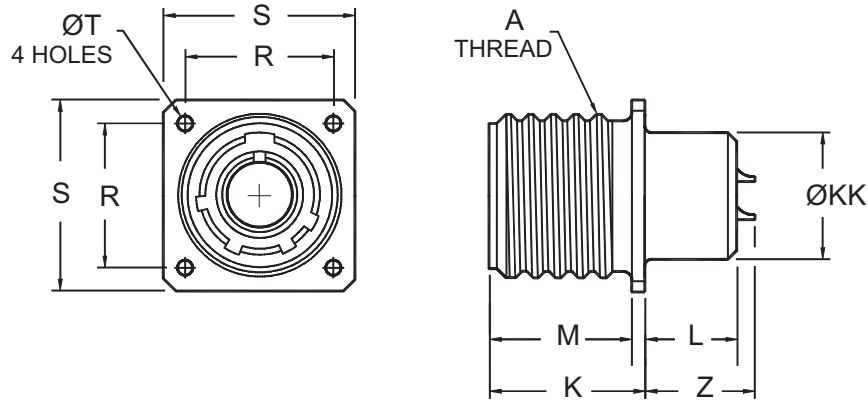


**SCP1941\* Environmental**  
**SCP17345\* Environmental**

SHELL SIZE	A THREAD CLASS 2A	B +.016 -.000 [+0.41] [-0.00]	ØD +.005 -.010 [+0.13] [-0.25]	K +.021 -.020 [+0.53] [-0.51]	S +.021 -.020 [+0.53] [-0.51]	V THREAD CLASS 2A-LH	DD ±.010 [±0.25]	Z	
								MAX.	MIN.
								Ⓢ	(SIZE 0 ONLY)
12	.875-0.1P-0.2L-DS	.688 [17.48]	.567 [14.40]	.938 [23.83]	1.000 [25.40]	.7500-20 UNEF	.641 [16.28]	.726 [18.44]	NA
14	1.0000-0.1P-0.2L-DS	.688 [17.48]	.692 [17.58]	.938 [23.83]	1.094 [27.79]	.8750-20 UNEF	.641 [16.28]	.726 [18.44]	
16	1.1250-0.1P-0.2L-DS	.688 [17.48]	.817 [20.75]	.938 [23.83]	1.281 [32.54]	1.0000-20 UNEF	.641 [16.28]	.726 [18.44]	
18	1.2500-0.1P-0.2L-DS	.703 [17.86]	.942 [23.93]	.953 [24.21]	1.375 [34.92]	1.1250-18 NEF	.625 [15.87]	.711 [18.06]	
20	1.3750-0.1P-0.2L-DS	.703 [17.86]	1.068 [27.13]	.953 [24.21]	1.500 [38.10]	1.2500-18 NEF	.625 [15.87]	.711 [18.06]	.780 [19.81]
22	1.5000-0.1P-0.2L-DS	.703 [17.86]	1.192 [30.28]	.953 [24.21]	1.625 [41.27]	1.3750-18 NEF	.625 [15.87]	.711 [18.06]	
24	1.7500-0.1P-0.2L-DS	.766 [19.46]	1.317 [33.45]	1.016 [25.81]	1.875 [47.62]	1.6250-18 NEF	.625 [15.87]	.648 [16.46]	.717 [18.21]
28	2.0000-0.1P-0.2L-DS	.766 [19.46]	1.536 [39.01]	1.016 [25.81]	2.125 [53.97]	1.8750-16 UN	.625 [15.87]	.648 [16.46]	
32	2.2500-0.1P-0.2L-DS	.703 [17.86]	1.786 [45.36]	1.078 [27.38]	2.375 [60.32]	2.0625-16 N	.563 [14.30]	.576 [14.63]	.655 [16.64]
36	2.5000-0.1P-0.2L-DS	.703 [17.86]	2.005 [50.93]	1.078 [27.38]	2.625 [66.67]	2.3125-16 N	.563 [14.30]	.576 [14.63]	.655 [16.64]
40	2.7500-0.1P-0.2L-DS	.703 [17.86]	2.255 [57.28]	1.078 [27.38]	3.000 [76.20]	2.6250-16 UN	.703 [17.86]	.576 [14.63]	.655 [16.64]
44	3.0000-0.1P-0.2L-DS	.703 [17.86]	2.545 [64.64]	1.078 [27.38]	3.250 [82.55]	2.8750-16 UN	.703 [17.86]	.797 [20.24]	.655 [16.64]

Dimensions in brackets [ ] are in millimeters.

Ⓢ For size 0 contacts only, increase Z dimension by .312 [7.92] for shell sizes 12 thru 40, and by .062 [1.57] for shell size 44.



**SCP1942\* Environmental**  
**SCP17346\* Environmental**

SHELL SIZE	A THREAD CLASS 2A	K +.021 -.010 [+0.53] [-0.25]	L +.020 -.030 [+0.51] [-0.76]	M +.010 -.000 [+0.25] [-0.00]	R (TP)	S +.021 -.020 [+0.53] [-0.51]	T ±.005 [±0.13]	ØKK +.011 -.010 [+0.30] [-0.25]	Z	
									MAX.	MIN.
									②	(SIZE 0 ONLY)
12	.875-0.1P-0.2L-DS	.938 [23.83]	.640 [16.26]	.797 [20.24]	.906 [23.01]	1.188 [30.18]	.150 [3.81]	.640 [16.26]	.738 [18.75]	NA
14	1.0000-0.1P-0.2L-DS	.938 [23.83]	.640 [16.26]	.797 [20.24]	.969 [24.61]	1.281 [32.54]	.150 [3.81]	.765 [19.43]	.738 [18.75]	
16	1.1250-0.1P-0.2L-DS	.938 [23.83]	.640 [16.26]	.797 [20.24]	1.062 [26.97]	1.375 [34.92]	.150 [3.81]	.890 [22.61]	.738 [18.75]	
18	1.2500-0.1P-0.2L-DS	.953 [24.21]	.625 [15.87]	.797 [20.24]	1.156 [29.36]	1.500 [38.10]	.177 [4.50]	1.015 [25.78]	.723 [18.36]	
20	1.3750-0.1P-0.2L-DS	.953 [24.21]	.625 [15.87]	.797 [20.24]	1.250 [31.75]	1.625 [41.27]	.177 [4.50]	1.171 [29.74]	.723 [18.36]	.780 [19.81]
22	1.5000-0.1P-0.2L-DS	.953 [24.21]	.625 [15.87]	.797 [20.24]	1.375 [34.92]	1.750 [44.45]	.177 [4.50]	1.296 [32.92]	.723 [18.36]	.686 [17.42]
24	1.7500-0.1P-0.2L-DS	1.047 [26.59]	.594 [15.09]	.859 [21.82]	1.562 [39.67]	2.000 [50.80]	.177 [4.50]	1.421 [36.09]	.660 [16.76]	
28	2.0000-0.1P-0.2L-DS	1.047 [26.59]	.594 [15.09]	.859 [21.82]	1.750 [44.45]	2.250 [57.15]	.177 [4.50]	1.625 [41.27]	.660 [16.76]	
32	2.2500-0.1P-0.2L-DS	1.110 [28.19]	.531 [13.49]	.922 [23.42]	1.938 [49.23]	2.500 [63.50]	.209 [5.31]	1.891 [48.03]	.540 [13.72]	
36	2.5000-0.1P-0.2L-DS	1.110 [28.19]	.531 [13.49]	.922 [23.42]	2.188 [55.58]	2.750 [69.85]	.209 [5.31]	2.078 [52.78]	.540 [13.72]	.622 [15.80]
40	2.7500-0.1P-0.2L-DS	1.110 [28.19]	.531 [13.49]	.922 [23.42]	2.375 [60.32]	3.000 [76.20]	.209 [5.31]	2.312 [58.72]	.540 [13.72]	.622 [15.80]
44	3.0000-0.1P-0.2L-DS	1.110 [28.19]	.531 [13.49]	.922 [23.42]	2.625 [66.67]	3.250 [82.55]	.209 [5.31]	2.562 [65.07]	.540 [13.72]	.622 [15.80]

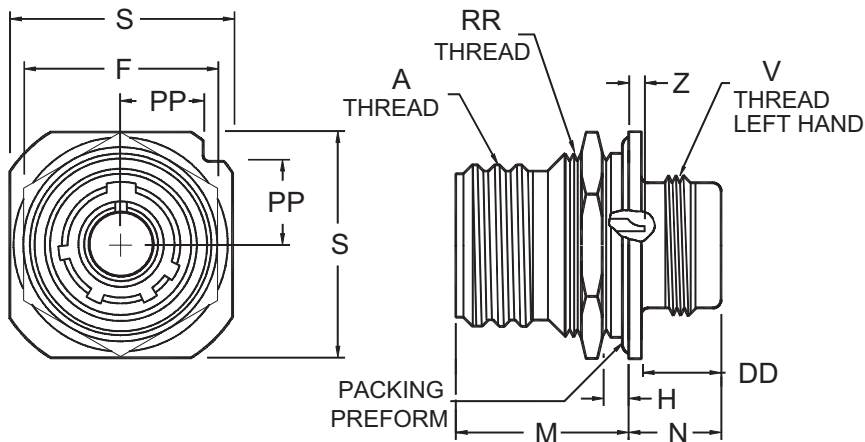
Dimensions in brackets [ ] are in millimeters.

② For size 0 contacts only, increase Z dimension by .312 [7.92] for shell sizes 12 thru 40, and by .062 [1.57] for shell size 44.

7A

# JAM NUT RECEPTACLE SWLD SERIES

SCP1943  
SCP17347



**SCP1943\* Environmental**  
**SCP17347\* Environmental**

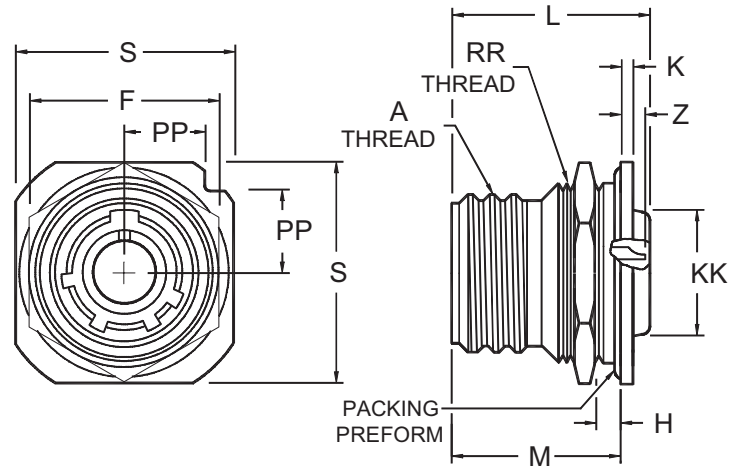
SHELL SIZE	A THREAD CLASS 2A-DS	F HEX +.017 -.016 [+0.43] [-0.41]	H PANEL THICKNESS		M ±.010 [±0.25]	N +.021 -.020 [+0.53] [-0.51]	S	V THREAD CLASS 2A-LH	Z		DD	PP +.011 -.010 [+0.28] [-0.25]	RR THREAD CLASS 2A-RH	PACKING PREFORMED MS29513-
			MIN.	MAX.					MAX.	MIN.				
									②	(SIZE 0 ONLY)				
12	.875-0.1P-0.2L	1.250 [31.75]	.094 [2.39]	.188 [4.78]	1.141 [28.98]	.641 [16.28]	1.375 [34.92]	.750-20UNEF	.523 [13.28]	NA	.516 [13.11]	.486 [12.34]	1.000-20UNEF	24
14	1.000-0.1P-0.2L	1.312 [33.32]	.094 [2.39]	.188 [4.78]	1.141 [28.98]	.641 [16.28]	1.500 [38.10]	.875-20UNEF	.523 [13.28]	NA	.516 [13.11]	.530 [13.46]	1.125-18NEF	26
16	1.125-0.1P-0.2L	1.500 [38.10]	.094 [2.39]	.188 [4.78]	1.141 [28.98]	.703 [17.86]	1.750 [44.45]	1.000-20UNEF	.523 [13.28]	NA	.516 [13.11]	.623 [15.82]	1.250-18NEF	127
18	1.250-0.1P-0.2L	1.562 [39.67]	.094 [2.39]	.203 [5.16]	1.156 [29.36]	.703 [17.86]	1.875 [47.62]	1.125-18NEF	.508 [12.90]	NA	.516 [13.11]	.663 [16.84]	1.375-18NEF	129
20	1.375-0.1P-0.2L	1.750 [44.45]	.094 [2.39]	.203 [5.16]	1.156 [29.36]	.703 [17.86]	2.000 [50.80]	1.250-18NEF	.508 [12.90]	.582 [14.78]	.516 [13.11]	.707 [17.96]	1.500-18NEF	131
22	1.500-0.1P-0.2L	1.875 [47.62]	.094 [2.39]	.203 [5.16]	1.156 [29.36]	.703 [17.86]	2.125 [53.97]	1.375-18NEF	.508 [12.90]	.507 [12.88]	.516 [13.11]	.751 [19.08]	1.625-18NEF	133
24	1.750-0.1P-0.2L	2.125 [53.97]	.094 [2.39]	.265 [6.73]	1.219 [30.96]	.703 [17.86]	2.375 [60.32]	1.625-18NEF	.455 [11.56]	.519 [13.18]	.516 [13.11]	.840 [21.34]	1.875-16UN	137
28	2.000-0.1P-0.2L	2.375 [60.32]	.094 [2.39]	.277 [7.04]	1.231 [31.27]	.785 [19.94]	2.625 [66.67]	1.875-16UN	.433 [11.00]	.507 [12.88]	.516 [13.11]	.928 [23.57]	2.125-16UN	141
32	2.250-0.1P-0.2L	2.625 [66.67]	.094 [2.39]	.215 [5.46]	1.231 [31.27]	.785 [19.94]	2.875 [73.02]	2.0625-16N	.433 [11.00]	.507 [12.88]	.516 [13.11]	1.017 [25.83]	2.375-16UN	145
36	2.500-0.1P-0.2L	2.875 [73.02]	.094 [2.39]	.215 [5.46]	1.231 [31.27]	.785 [19.94]	3.125 [79.37]	2.3125-16N	.433 [11.00]	.507 [12.88]	.516 [13.11]	1.104 [28.04]	2.625-16UN	149
40	2.750-0.1P-0.2L	3.125 [79.37]	.094 [2.39]	.215 [5.46]	1.231 [31.27]	.972 [24.69]	3.406 [86.51]	2.625-16UN	.433 [11.00]	.507 [12.88]	.703 [17.86]	1.213 [30.81]	2.875-16UN	234
44	3.000-0.1P-0.2L	3.375 [85.72]	.094 [2.39]	.215 [5.46]	1.231 [31.27]	.972 [24.69]	3.656 [92.86]	2.875-16UN	.656 [16.66]	.507 [12.88]	.703 [17.86]	1.299 [32.99]	3.125-16UN	236

Dimensions in brackets [ ] are in millimeters.

② For size 0 contacts only, increase Z dimension by .312 [7.92] for shell sizes 12 thru 40, and by .062 [1.57] for shell size 44.

# SWLD SERIES - BOX MOUNT **JAM NUT RECEPTACLE**

SCP1949  
SCP17348



## SCP1949\* Environmental SCP17348\* Environmental

SHELL SIZE	A THREAD CLASS 2A-DS	F HEX +.017 -.016 [+0.43] [-0.41]	H PANEL THICKNESS		K +.006 -.005 [+0.15] [-0.13]	L +.011 -.010 [+0.28] [-0.25]	M	S MAX.	Z		ØKK +.011 -.010 [+0.28] [-0.25]	PP +.011 -.010 [+0.28] [-0.25]	RR THREAD CLASS 2A-RH	PACKING PREFORMED MS29513-
			MIN.	MAX.					MAX.	MIN.				
									②	(SIZE 0 ONLY)				
12	.875-0.1P-0.2L	1.250 [31.75]	.094 [2.39]	.297 [7.54]	.125 [3.17]	1.578 [40.08]	1.235 [31.37]	1.375 [34.92]	.429 [10.90]	NA	.640 [16.26]	.486 [12.34]	1.000-20UNEF	24
14	1.000-0.1P-0.2L	1.312 [33.32]	.094 [2.39]	.297 [7.54]	.125 [3.17]	1.578 [40.08]	1.235 [31.37]	1.500 [38.10]	.429 [10.90]		.765 [19.43]	.530 [13.46]	1.125-18NEF	26
16	1.125-0.1P-0.2L	1.500 [38.10]	.094 [2.39]	.297 [7.54]	.188 [4.78]	1.578 [40.08]	1.235 [31.37]	1.750 [44.45]	.461 [11.71]		.890 [22.61]	.623 [15.82]	1.250-18NEF	127
18	1.250-0.1P-0.2L	1.562 [39.67]	.094 [2.39]	.266 [6.76]	.188 [4.78]	1.578 [40.08]	1.203 [30.56]	1.875 [47.62]	.461 [11.71]		1.015 [25.78]	.663 [16.84]	1.375-18NEF	129
20	1.375-0.1P-0.2L	1.750 [44.45]	.094 [2.39]	.266 [6.76]	.188 [4.78]	1.578 [40.08]	1.203 [30.56]	2.000 [50.80]	.461 [11.71]	.535 [13.59]	1.171 [29.74]	.707 [17.96]	1.500-18NEF	131
22	1.500-0.1P-0.2L	1.875 [47.62]	.094 [2.39]	.266 [6.76]	.188 [4.78]	1.578 [40.08]	1.203 [30.56]	2.125 [53.97]	.461 [11.71]		1.296 [32.92]	.751 [19.08]	1.625-18NEF	133
24	1.750-0.1P-0.2L	2.125 [53.97]	.094 [2.39]	.328 [8.33]	.188 [4.78]	1.641 [41.68]	1.266 [32.16]	2.375 [60.32]	.398 [10.11]	.472 [11.99]	1.421 [36.09]	.840 [21.34]	1.875-16UN	137
28	2.000-0.1P-0.2L	2.375 [60.32]	.094 [2.39]	.328 [8.33]	.219 [5.56]	1.641 [41.68]	1.329 [33.76]	2.625 [66.67]	.335 [8.51]		1.625 [41.27]	.928 [23.57]	2.125-16UN	141
32	2.250-0.1P-0.2L	2.625 [66.67]	.094 [2.39]	.328 [8.33]	.219 [5.56]	1.641 [41.68]	1.329 [33.76]	2.875 [73.02]	.335 [8.51]	.409 [10.39]	1.891 [48.03]	1.017 [25.83]	2.375-16UN	145
36	2.500-0.1P-0.2L	2.875 [73.02]	.094 [2.39]	.328 [8.33]	.219 [5.56]	1.641 [41.68]	1.329 [33.76]	3.125 [79.37]	.335 [8.51]		2.078 [52.78]	1.104 [28.04]	2.625-16UN	149
40	2.750-0.1P-0.2L	3.125 [79.37]	.094 [2.39]	.328 [8.33]	.219 [5.56]	1.641 [41.68]	1.329 [33.76]	3.406 [86.51]	.335 [8.51]	.409 [10.39]	2.312 [58.72]	1.213 [30.81]	2.875-16UN	234
44	3.000-0.1P-0.2L	3.375 [85.72]	.094 [2.39]	.328 [8.33]	.219 [5.56]	1.641 [41.68]	1.329 [33.76]	3.656 [92.86]	.562 [14.27]		2.562 [65.07]	1.299 [32.99]	3.125-16UN	236

Dimensions in brackets [ ] are in millimeters.

② For size 0 contacts only, increase Z dimension by .312 [7.92] for shell sizes 12 thru 40, and by .062 [1.57] for shell size 44.

7A

# We've Got You Covered

SPACECRAFT COMPONENTS CORP.  
Your Connector Consultant Since 1962

## SCPB39 SERIES

A REVERSE BAYONET COUPLING  
DESIGNED AROUND  
MIL-DTL-38999 INSERT ARRANGEMENTS



- ▶ Uses M39029 Contacts & Tools
- ▶ Uses M85049 Accessories
- ▶ Coupling provides a positive lock with an audible "Click" in 1/3 turn of the coupling nut
- ▶ Same footprint as MIL-STD-38999 Series III Square Flange Receptacle Shells & Plugs
- ▶ EMI/RFI Shell-to-Shell Grounding

 **SPACECRAFT**  
COMPONENTS CORP.

Contact  
Spacecraft's  
Consultative Sales Team  
for Ordering Information



YOUR  
**CONNECTOR  
CONSULTANT**  
SINCE 1962

 **SPACECRAFT**  
COMPONENTS CORP.

**702.851.7600**

# SECTION 8A SWLD SERIES

## CONNECTOR ACCESSORY QUICK REFERENCE

(FOR COMPLETE DETAILS ON THESE PARTS SEE **SPACECRAFT CATALOG 401**)

ACCESSORY	PART NUMBER
<b>BACKSHELLS, ENVIRONMENTAL</b>	
STRAIGHT - CABLE SEALING ADAPTER	B002A-AK
	B002B-AK
STRAIGHT - CABLE SEALING GLAND	B049AK03
	B049AK04
	B049AK05
STRAIGHT - FOR ANAMET CONDUIT	B031*AK
STRAIGHT - FOR PG ADAPTER	B033*AK
STRAIGHT - FOR PIPE THREAD (PT) ADAPTERS	B035*AK
STRAIGHT - FOR SEALTITE™ LIQUIDTITE CONDUIT	B037*AK
45° CABLE SEALING GLAND	B002CC-AK
90° CABLE SEALING GLAND	B002D-AK
<b>BACKSHELLS, SHORTING CANS</b>	
	B012*AK
	B013*AK
<b>BACKSHELLS, STRAIN RELIEFS/CABLE CLAMPS</b>	
CABLE CLAMP	MS3057-*B
	MS3057-*C
INDIVIDUAL WIRE SEALING	SCP74191-*

ACCESSORY	PART NUMBER
<b>BACKSHELLS, SHRINK BOOT ADAPTERS</b>	
STRAIGHT BOOT ADAPTER	B006A-AK
	B006B-AK
	B049AK59
<b>DUMMY RECEPTACLES</b>	
	DRP02
	SCP18062-*
<b>DUST CAPS</b>	
METAL, FOR PLUG	DCP02
	SCP17350-*
METAL, FOR RECEPTACLE	DCR02
	SCP17349-*
<b>GASKET FOR FLANGE MOUNT RECEPTACLES</b>	
	SCP36675-*
	SCP40450-*
<b>MOUNTING PLATES</b>	
	NOTE 1
<b>RUBBER BUSHINGS</b>	
	MS3420-*A

\* Additional alpha-numeric are required to complete part number.  
1. Contact sales department for part numbers and availability.

8A

# We've Got You Covered



Contact  
Spacecraft's  
Consultative Sales Team  
for Ordering Information

Quality Manufacturing  
in AMERICA 

YOUR  
**CONNECTOR  
CONSULTANT**  
SINCE 1962

 **SPACECRAFT  
COMPONENTS CORP.**

**702.851.7600**

# SECTION 9A

## MIL-DTL-5015

### SPECIAL FEATURES

### TECHNICAL DATA

### CONTACTS & TOOLS

#### SPECIAL FEATURES

Spacecraft can supply connectors with:

1. Plugs with a self-locking coupling nut, which eliminates the need for safety wire. A low-cost coupling mechanism is available for all series.
2. Our connectors can provide superior EMI/RFI shielding by:
  - A. Providing full accessory teeth at the rear of the connector shell, thus minimizing "leakage".
  - B. To further enhance performance, plugs can be supplied with grounding fingers around the outside of the barrel.
  - C. Receptacles can be supplied with an internal grounding spring.
3. Shells/hardware can be provided in a high impact/strength aluminum as well as carbon steel, 300 series stainless and naval brass.
4. A wide range of finishes are available:
  - A. Anodize - both hard and soft.
  - B. Cadmium to pass 48, 96, 500 or 1000 hours salt spray.
  - C. Electroless nickel.
  - D. Zinc Boron.
  - E. Zinc Cobalt in black or olive drab.
5. Standard insert material is neoprene, but can be provided in fuel resistant Viton or halogen-free neoprene.
6. Various backshell configurations are available for environmental and non-environmental applications together with EMI/RFI protection. See our Catalog 401 for details.

**TABLE I. CONTACT ARRANGEMENT SERVICE RATING**

MS SERVICE RATING	RECOMMENDED OPERATING VOLTAGE* AT SEA LEVEL		EFFECTIVE CREEPAGE DISTANCE NOM.	MECHANICAL SPACING NOM.
	DC	AC (RMS)		
INST	250	200	1/16	
A	700	500	1/8	1/16
D	1250	900	3/16	1/8
E	1750	1250	1/4	3/16
B	2450	1750	5/16	1/4
C	4200	3000	1	5/16

\* The values listed in Table I represent operating values which include a generous safety factor. It may be necessary for some applications to exceed the operating voltages listed here. If this is necessary, designers will find Table II useful for determining the degree to which the recommended values of Table I can be exceeded.

### ELECTRICAL SERVICE DATA

Test current ratings of contacts and allowable voltage drop under test conditions when assembled as in service are shown below. Maximum total current to be carried per connector is the same as the allowable in wire bundles as specified in MIL-W-5088.

**ALTITUDE VOLTAGE DERATING\*\* CHART**

MS SERVICE RATING	NOMINAL DISTANCE		STANDARD SEA LEVEL CONDITIONS		PRESSURE ALTITUDE† 50,000 FEET		PRESSURE ALTITUDE† 70,000 FEET	
	AIRSPACE	CREEPAGE	MINIMUM FLASHOVER VOLTAGE AC (RMS)	TEST VOLTAGE AC (RMS)	MINIMUM FLASHOVER VOLTAGE AC (RMS)	TEST VOLTAGE AC (RMS)	MINIMUM FLASHOVER VOLTAGE AC (RMS)	TEST VOLTAGE AC (RMS)
INST	1/32	1/16	1400	1000	550	400	325	260
A	1/16	1/8	2800	2000	800	600	450	360
D	1/8	3/16	3600	2800	900	675	500	400
E	3/16	1/4	4500	3500	1000	750	550	440
B	1/4	5/16	5700	4500	1100	825	600	480
C	5/16	1	8500	7000	1300	975	700	560

† Not corrected for changes in density due to variations in temperature.

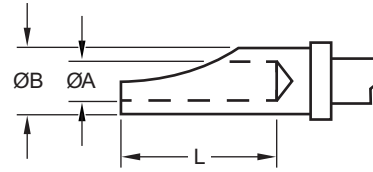
\*\* No attempt has been made to recommend operating voltages. The designer must determine his own operating voltage by the application of a safety factor to the above derating chart to compensate for circuit transients, surges, etc.

### CONTACT RATINGS

CONTACT SIZE	WIRE SIZE	RATED CURRENT	POTENTIAL DROP	MAX CURRENT
20	20	7.5A	83 mV	7.5A
18	18	7.5	83 mV	10A
16 & 16S	16 AWG	13 A	49 mV	22A
12	12 AWG	23 A	42 mV	41A
8	8 AWG	46 A	26 mV	73A
4	4 AWG	80 A	23 mV	135A
0	0 AWG	150 A	21 mV	245A
4/0	4/0	225A	53 mV	350A

**SOLDER CONTACT CURRENT RATINGS\***

MATING END SIZE	WIRE BARREL SIZE	ALLOWABLE WIRE SIZE	TEST CURRENT** AMPS
15/16S	16	16 18 20 22	13 10 7.5 5
12	12	12 14	23 17
8	8	8 10	46 33
4	4	4 6	80 60
0	0	0 1 2	150 125 100



**SOLDER CUP DIMENSIONS**

CONTACT SIZE	A MIN	B	L
16	.069 [1.75]	.096/.116 [2.43/2.94]	.250/.313 [6.35/7.95]
12	.112 [2.84]	.130/.150 [3.30/3.81]	.375/.438 [9.52/11.12]
8	.205 [5.20]	.243/.259 [6.17/6.57]	.500/.563 [12.70/14.30]
4	.328 [8.33]	.370/.397 [9.39/10.08]	.625/.688 [15.87/17.47]
0	.464 [11.78]	.510/.550 [12.95/13.97]	.625/.688 [15.87/17.47]

Dimensions in brackets [ ] are in millimeters.

**TABLE II. WIRE RANGE ACCOMMODATIONS**

CONTACT SIZE	WIRE SIZE	ØD OF FINISHED WIRE (INCH)					
		SOLDER CONTACT CONNECTORS		CRIMP CONTACT CONNECTORS			
		MIN	MAX	FRONT RELEASE		REAR RELEASE	
16-16	20	.064 [1.63]	.130 [3.30]	0.66	.130	.053	.103
	18			[1.68]	[3.30]	[1.35]	[2.62]
	16						
12-12	14	.114 [2.90]	.170 [4.32]	.097	.170	.085	.158
	12			[2.46]	[4.32]	[2.16]	[4.01]
8-8	10	.164 [4.17]	.255 [6.48]	.132	.255	.132	.255
	8			[3.35]	[6.48]	[3.35]	[6.48]
4-4	6	.272 [6.91]	.370 [9.40]	.237	.370	.237	.370
	4			[6.02]	[9.40]	[6.02]	[9.40]
0-0	2	.415 [10.54]	.550 [13.97]	.360	.550	.360	.550
	0			[9.14]	[13.97]	[9.14]	[13.97]

\* Solder Wells Filled

\*\* Contact ratings as stated are test ratings only. The connector could not withstand full rated current through all contacts continuously. Please note that the electrical data given is not an establishment of electrical safety factors. This is left entirely in the designer's hands as he can best determine which peak voltage, switching surges, transients, etc. can be expected in a particular circuit.

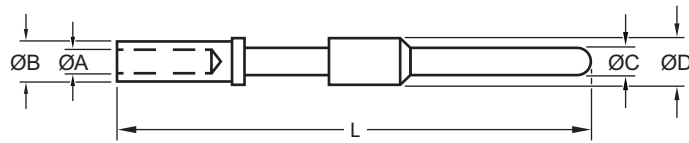
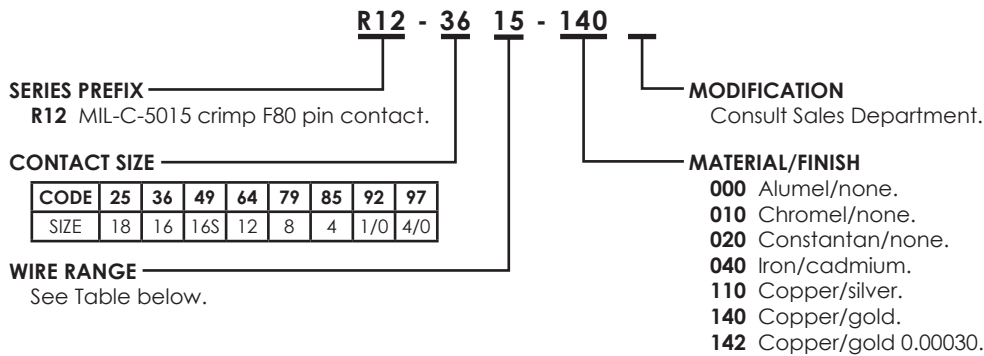
**MIL-DTL-5015 SERIES I - SOLDER CONTACTS**

SIZE	PIN	PIN FILLED SOLDER CUP (NOTE 1)	SOCKET (NOTE 1)	SOCKET FILLED SOLDER CUP (NOTE 1)	MATERIAL	FINISH	COLOR CODE
16S	P12-5100-310	P12-5100-315	S12-5100-610	S12-5100-615	Note 2	Silver	-
16S	P12-5100-000	-	S12-5100-000	-	Alumel	None	Green
16S	P12-5100-010	-	S12-5100-010	-	Chromel	None	White
16S	P12-5100-020	-	S12-5100-020	-	Constantan	Cadmium	Black
16S	P12-5100-040	-	S12-5100-040	-	Iron	None	Yellow
16	P12-3800-310	P12-3800-315	S12-3800-610	S12-3800-615	Note 2	Silver	-
16	P12-3800-000	-	S12-3800-000	-	Alumel	None	Green
16	P12-3800-010	-	S12-3800-010	-	Chomel	None	White
16	P12-3800-020	-	S12-3800-020	-	Constantan	None	Black
16	P12-3800-040	-	S12-3800-040	-	Iron	Cadmium	Yellow
12	P12-6500-310	P12-6500-315	S12-6500-610	S12-6500-615	Note 2	Silver	-
12	P12-6500-000	-	S12-6500-000	-	Alumel	None	Green
12	P12-6500-010	-	S12-6500-010	-	Chromel	None	White
12	P12-6500-020	-	S12-6500-020	-	Constantan	None	Black
12	P12-6500-040	-	S12-6500-040	-	Iron	Cadmium	Yellow
8	P12-7900-310	P12-7900-315	S12-7900-510	S12-7900-515	Note 2	Silver	-
4	P12-8500-310	P12-8500-315	S12-8500-510	S12-8500-515	Note 2	Silver	-
1/0	P12-9200-310	P12-9200-315	S12-9200-510	S12-9200-515	Note 2	Silver	-

# MIL-DTL-5015 SERIES I

## PIN F80 CRIMP CONTACTS

### ORDERING INFORMATION



PART NUMBER	SIZE	MATERIAL	FINISH	FOR WIRE SIZE		A	B	C	D	L
				AWG	MM					
R12-2500-110	18	Copper	Silver	20-26	0.60-0.15	.052 [1.30]	.076 [1.93]	.055 [1.46]	0.95 [2.40]	1.165 [29.61]
R12-3632-110	16	Copper	Silver	28-32	-	.018 [0.45]	.077 [1.95]	.062 [1.58]	.126 [3.20]	1.250 [31.75]
R12-3608-110	16	Copper	Silver	24-26	0.20-0.15	.034 [.085]	.061 [1.55]	.062 [1.58]	.126 [3.20]	1.250 [31.75]
R12-3613-110	16	Copper	Silver	20-26	0.60-0.15	.052 [1.30]	.076 [1.93]	.062 [1.58]	.126 [3.20]	1.250 [31.75]
R12-3612-110	16	Copper	Silver	20	0.60	.048 [1.20]	.102 [2.60]	.062 [1.58]	.126 [3.20]	1.250 [31.75]
R12-3615-110	16	Copper	Silver	18	1.0	.060 [1.50]	.102 [2.60]	.062 [1.58]	.126 [3.20]	1.250 [31.75]
R12-3600-110	16	Copper	Silver	16-18	1.5-1.0	.067 [1.70]	.102 [2.60]	.062 [1.58]	.126 [3.20]	1.250 [31.75]
R12-3600-000	16	Alum el	None	16	1.5-1.0	.067 [1.70]	.102 [2.60]	.062 [1.58]	.126 [3.20]	1.250 [31.75]
R12-3600-010	16	Chromel	None	16	1.5-1.0	.067 [1.70]	.102 [2.60]	.062 [1.58]	.126 [3.20]	1.250 [31.75]
R12-3600-020	16	Constantan	None	16	1.5-1.0	.067 [1.70]	.102 [2.60]	.062 [1.58]	.126 [3.20]	1.250 [31.75]
R12-3600-040	16	Iron	Cadmium	16	1.5-1.0	.067 [1.70]	.102 [2.60]	.062 [1.58]	.126 [3.20]	1.250 [31.75]
R12-3620-110	16	Copper	Silver	14	2.0	.078 [2.00]	.115 [2.90]	.062 [1.58]	.126 [3.20]	1.250 [31.75]
R12-3626-110	16	Copper	Silver	12	3.0	.099 [2.50]	.150 [3.80]	.062 [1.58]	.126 [3.20]	1.250 [31.75]
R12-4913-110	16S	Copper	Silver	20-26	0.60-0.15	.052 [1.30]	.076 [1.93]	.062 [1.58]	.126 [3.20]	1.050 [26.65]
R12-4912-110	16S	Copper	Silver	20	0.60	.048 [1.20]	.102 [2.60]	.062 [1.58]	.126 [3.20]	1.050 [26.65]
R12-4915-110	16S	Copper	Silver	18	1.0	.060 [1.50]	.102 [2.60]	.062 [1.58]	.126 [3.20]	1.050 [26.65]
R12-4900-110	16S	Copper	Silver	16-18	1.5	.067 [1.70]	.102 [2.60]	.062 [1.58]	.126 [3.20]	1.050 [26.65]
R12-4900-000	16S	Alum el	None	16	1.5	.067 [1.70]	.102 [2.60]	.062 [1.58]	.126 [3.20]	1.050 [26.65]
R12-4900-010	16S	Chromel	None	16	1.5	.067 [1.70]	.102 [2.60]	.062 [1.58]	.126 [3.20]	1.050 [26.65]
R12-4900-020	16S	Constantan	None	16	1.5	.067 [1.70]	.102 [2.60]	.062 [1.58]	.126 [3.20]	1.050 [26.65]
R12-4900-040	16S	Iron	Cadmium	16	1.5	.067 [1.70]	.102 [2.60]	.062 [1.58]	.126 [3.20]	1.050 [26.65]
R12-4920-110	16S	Copper	Silver	14	2.0	.078 [2.00]	.115 [2.90]	.062 [1.58]	.126 [3.20]	1.050 [26.65]
R12-4926-110	16S	Copper	Silver	12	3.0	.099 [2.50]	.150 [3.80]	.062 [1.58]	.126 [3.20]	1.050 [26.65]
R12-6412-110	12	Copper	Silver	20	0.60	.048 [1.20]	.102 [2.60]	.093 [2.38]	.189 [4.80]	1.480 [37.65]
R12-6415-110	12	Copper	Silver	18	1.0	.060 [1.50]	.134 [3.40]	.093 [2.38]	.189 [4.80]	1.480 [37.65]
R12-6420-110	12	Copper	Silver	14-18	2.0-1.0	.078 [2.00]	1.50 [3.80]	.093 [2.38]	.189 [4.80]	1.480 [37.65]
R12-6422-110	12	Copper	Silver	-	2.5	.087 [2.20]	1.50 [3.80]	.093 [2.38]	.189 [4.80]	1.480 [37.65]
R12-6400-110	12	Copper	Silver	12	3.0	.099 [2.50]	1.54 [3.90]	.093 [2.38]	.189 [4.80]	1.480 [37.65]
R12-6400-000	12	Alumel	None	12	3.0	.099 [2.50]	1.54 [3.90]	.093 [2.38]	.189 [4.80]	1.480 [37.65]
R12-6400-010	12	Chromel	None	12	3.0	.099 [2.50]	1.54 [3.90]	.093 [2.38]	.189 [4.80]	1.480 [37.65]
R12-6400-020	12	Constantan	None	12	3.0	.099 [2.50]	1.54 [3.90]	.093 [2.38]	.189 [4.80]	1.480 [37.65]

continued on next page

SERIES I **MIL-DTL-5015**  
PIN **F80** CRIMP CONTACTS

PART NUMBER	SIZE	MATERIAL	FINISH	FOR WIRE SIZE		A	B	C	D	L
				AWG	MM					
R12-6400-040	12	Iron	Cadmium	12	3.0	.099 [2.50]	.154 [3.90]	.093 [2.38]	.189 [4.80]	1.480 [37.65]
R12-6430-110	12	Copper	Silver	-	4.0	.118 [3.00]	.176 [4.80]	.093 [2.38]	.189 [4.80]	1.480 [37.65]
R12-6431-110	12	Copper	Silver	-	4.0	.130 [3.30]	.166 [4.20]	.093 [2.38]	.189 [4.80]	1.480 [37.65]
R12-6438-110	12	Copper	Silver	10	6.0	.142 [3.60]	.176 [4.80]	.093 [2.38]	.189 [4.80]	1.480 [37.65]
R12-6408-110	12	Copper	Silver	8	9.0	.177 [4.50]	.272 [6.90]	.093 [2.38]	.189 [4.80]	1.480 [37.65]
R12-7915-110	8	Copper	Silver	18	1.0	0.60 [1.50]	.134 [3.40]	.141 [3.59]	.307 [7.80]	1.603 [40.70]
R12-7918-110	8	Copper	Silver	14-18	2.0-1.0	0.71 [1.80]	.150 [3.80]	.141 [3.59]	.307 [7.80]	1.603 [40.70]
R12-7926-110	8	Copper	Silver	12	3.0	.099 [2.50]	.154 [3.90]	.141 [3.59]	.307 [7.80]	1.603 [40.70]
R12-7930-110	8	Copper	Silver	-	4.0	.118 [3.00]	.176 [4.80]	.141 [3.59]	.307 [7.80]	1.603 [40.70]
R12-7900-110	8	Copper	Silver	8	9.0	.177 [4.50]	.272 [6.90]	.141 [3.59]	.307 [7.80]	1.603 [40.70]
R12-7950-110	8	Copper	Silver	-	10.0	.201 [5.00]	.272 [6.90]	.141 [3.59]	.307 [7.80]	1.603 [40.70]
R12-7958-110	8	Copper	Silver	-	13.2	.229 [5.80]	.307 [7.80]	.141 [3.59]	.307 [7.80]	1.603 [40.70]
R12-8522-110	4	Copper	Silver	-	2.5	.087 [2.20]	.150 [3.80]	.225 [5.70]	.433 [11.00]	1.625 [41.25]
R12-8526-110	4	Copper	Silver	12	3.0	.099 [2.50]	.150 [3.80]	.225 [5.70]	.433 [11.00]	1.625 [41.25]
R12-8530-110	4	Copper	Silver	-	4.0	.118 [3.00]	.189 [4.80]	.225 [5.70]	.433 [11.00]	1.625 [41.25]
R12-8550-110	4	Copper	Silver	-	10.0	.201 [5.00]	.275 [7.00]	.225 [5.70]	.433 [11.00]	1.625 [41.25]
R12-8562-110	4	Copper	Silver	-	16.0	.244 [6.20]	.374 [9.50]	.225 [5.70]	.433 [11.00]	1.625 [41.25]
R12-8500-110	4	Copper	Silver	4	22.0	.280 [7.10]	.375 [9.53]	.225 [5.70]	.433 [11.00]	1.625 [41.25]
R12-8525-110	4	Copper	Silver	-	25.0	.307 [7.80]	.374 [9.50]	.225 [5.70]	.433 [11.00]	1.625 [41.25]
R12-8535-110	4	Copper	Silver	-	35.0	.354 [9.00]	.565 [14.35]	.225 [5.70]	.433 [11.00]	1.625 [41.25]
R12-9245-110	1/0	Copper	Silver	8	9.0	.177 [4.55]	.268 [6.80]	.356 [9.05]	.595 [15.11]	1.803 [46.50]
R12-9250-110	1/0	Copper	Silver	-	10.0	.201 [5.00]	.275 [7.00]	.356 [9.05]	.595 [15.11]	1.803 [46.50]
R12-9246-110	1/0	Copper	Silver	4	22.0	.281 [7.15]	.375 [9.53]	.356 [9.05]	.595 [15.11]	1.803 [46.50]
R12-9225-110	1/0	Copper	Silver	-	25.0	.307 [7.80]	.374 [9.50]	.356 [9.05]	.595 [15.11]	1.803 [46.50]
R12-9235-110	1/0	Copper	Silver	-	35.0	.354 [9.00]	.565 [14.35]	.356 [9.05]	.595 [15.11]	1.803 [46.50]
R12-9275-110	1/0	Copper	Silver	-	50.0	.421 [10.70]	.565 [14.35]	.356 [9.05]	.595 [15.11]	1.803 [46.50]
R12-9200-110	1/0	Copper	Silver	1/0	53.0	.453 [11.50]	.565 [14.35]	.356 [9.05]	.595 [15.11]	1.803 [46.50]
R12-9790-110	4/0	Copper	Silver	2	33.5	.354 [9.0]	.565 [14.35]	.500 [12.69]	.787 [20.0]	2.35 [59.7]
R12-97115-110	4/0	Copper	Silver	1/0	53.0	.453 [11.5]	.565 [14.35]	.500 [12.69]	.787 [20.0]	2.33 [59.2]
R12-97135-110	4/0	Copper	Silver	2/0	67.4	.532 [13.5]	.650 [16.5]	.500 [12.69]	.787 [20.0]	2.40 [60.9]
R12-9700-110	4/0	Copper	Silver	4/0	107.0	.650 [16.5]	.787 [20.0]	.500 [12.69]	.787 [20.0]	2.60 [65.9]

Dimensions in brackets [ ] are in millimeters.

# MIL-DTL-5015 SERIES I

## SOCKET F80 CRIMP CONTACTS

### ORDERING INFORMATION

**T12 - 36 15 - 540**

**SERIES PREFIX**  
T12 MIL-C-5015 crimp F80 socket contact.

**CONTACT SIZE**

CODE	25	36	49	64	79	85	86	92	93	97
SIZE	18	16	16S	12	8	4	4*	1/0	1/0*	4/0

\* Indicates closed entry socket.

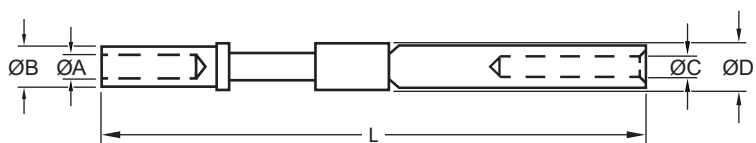
**WIRE RANGE**  
See Table below.

**MODIFICATION**  
Consult Sales Department.

**MATERIAL/FINISH**

000	Alumel/none.	140	Copper/gold.
010	Chromel/none.	142	Copper/gold 0.00030
020	Constantan/none.	510*	Copper/silver.
040	Iron/cadmium.	540*	Copper/gold.
110	Copper/silver.	542*	Copper/gold 0.00030

\* Applies only to socket contact sizes 8, 4, 1/0 and 4/0



PART NUMBER	SIZE	MATERIAL	FINISH	FOR WIRE SIZE		A	B	C	D	L
				AWG	MM <sup>2</sup>					
T12-2500-110	18	Copper	Silver	20-26	0.60-0.15	.052 [1.30]	.076 [1.93]	.056 [1.46]	.095 [2.40]	1.197 [34.4]
T12-3632-110	16	Copper	Silver	28-32	-	.018 [0.45]	.077 [1.95]	.065 [1.65]	.126 [3.20]	1.440 [36.50]
T12-3608-110	16	Copper	Silver	24-26	0.20-0.15	.034 [0.85]	.061 [1.55]	.065 [1.65]	.126 [3.20]	1.440 [36.50]
T12-3613-110	16	Copper	Silver	20-26	0.60-0.15	.052 [1.30]	.076 [1.93]	.065 [1.65]	.126 [3.20]	1.440 [36.50]
T12-3612-110	16	Copper	Silver	20	0.60	.048 [1.20]	.102 [2.60]	.065 [1.65]	.126 [3.20]	1.440 [36.50]
T12-3615-110	16	Copper	Silver	18-20	1.0	.060 [1.50]	.102 [2.60]	.065 [1.65]	.126 [3.20]	1.440 [36.50]
T12-3600-110	16	Copper	Silver	16-18	1.5-1.0	.067 [1.70]	.102 [2.60]	.065 [1.65]	.126 [3.20]	1.440 [36.50]
T12-3600-000	16	Alumel	None	16	1.5	.067 [1.70]	.102 [2.60]	.065 [1.65]	.126 [3.20]	1.440 [36.50]
T12-3600-010	16	Chromel	None	16	1.5	.067 [1.70]	.102 [2.60]	.065 [1.65]	.126 [3.20]	1.440 [36.50]
T12-3600-020	16	Constantan	None	16	1.5	.067 [1.70]	.102 [2.60]	.065 [1.65]	.126 [3.20]	1.440 [36.50]
T12-3600-040	16	Iron	Cadmium	16	1.5	.067 [1.70]	.102 [2.60]	.065 [1.65]	.126 [3.20]	1.440 [36.50]
T12-3620-110	16	Copper	Silver	14	2.0	.078 [2.00]	.115 [2.90]	.065 [1.65]	.126 [3.20]	1.440 [36.50]
T12-3626-110	16	Copper	Silver	12	3.0	.099 [2.50]	.150 [3.80]	.065 [1.65]	.126 [3.20]	1.440 [36.50]
T12-4913-110	16S	Copper	Silver	20-26	0.60-0.15	.052 [1.30]	.076 [1.93]	.065 [1.65]	.126 [3.20]	1.050 [26.65]
T12-4912-110	16S	Copper	Silver	20	0.60	.048 [1.20]	.102 [2.60]	.065 [1.65]	.126 [3.20]	1.050 [26.65]
T12-4915-110	16S	Copper	Silver	18	1.0	.060 [1.50]	.102 [2.60]	.065 [1.65]	.126 [3.20]	1.050 [26.65]
T12-4900-110	16S	Copper	Silver	16-18	1.5-1.0	.067 [1.70]	.102 [2.60]	.065 [1.65]	.126 [3.20]	1.050 [26.65]
T12-4900-000	16S	Alumel	None	16	1.5	.067 [1.70]	.102 [2.60]	.065 [1.65]	.126 [3.20]	1.050 [26.65]
T12-4900-010	16S	Chromel	None	16	1.5	.067 [1.70]	.102 [2.60]	.065 [1.65]	.126 [3.20]	1.050 [26.65]
T12-4900-020	16S	Constantan	None	16	1.5	.067 [1.70]	.102 [2.60]	.065 [1.65]	.126 [3.20]	1.050 [26.65]
T12-4900-040	16S	Iron	Cadmium	16	1.5	.067 [1.70]	.102 [2.60]	.065 [1.65]	.126 [3.20]	1.050 [26.65]
T12-4920-110	16S	Copper	Silver	14	2.0	.078 [2.00]	.115 [2.90]	.065 [1.65]	.126 [3.20]	1.050 [26.65]
T12-4926-110	16S	Copper	Silver	12	3.0	.099 [2.50]	.150 [3.80]	.065 [1.65]	.126 [3.20]	1.050 [26.65]
T12-6412-110	12	Copper	Silver	20	0.60	.048 [1.20]	.102 [2.60]	.098 [2.48]	.189 [4.80]	1.480 [37.65]
T12-6415-110	12	Copper	Silver	18	1.0	.060 [1.50]	.134 [3.40]	.098 [2.48]	.189 [4.80]	1.480 [37.65]
T12-6420-110	12	Copper	Silver	14-18	2.0-1.0	.078 [2.00]	.150 [3.80]	.098 [2.48]	.189 [4.80]	1.480 [37.65]
T12-6422-110	12	Copper	Silver	-	2.5	.087 [2.20]	.150 [3.80]	.098 [2.48]	.189 [4.80]	1.480 [37.65]
T12-6400-000	12	Alum el	None	12	3.0	.099 [2.50]	.154 [3.90]	.098 [2.48]	.189 [4.80]	1.480 [37.65]
T12-6400-010	12	Chromel	None	12	3.0	.099 [2.50]	.154 [3.90]	.098 [2.48]	.189 [4.80]	1.480 [37.65]
T12-6400-020	12	Constantan	None	12	3.0	.099 [2.50]	.154 [3.90]	.098 [2.48]	.189 [4.80]	1.480 [37.65]
T12-6400-040	12	Iron	Cadmium	12	3.0	.099 [2.50]	.154 [3.90]	.098 [2.48]	.189 [4.80]	1.480 [37.65]

Dimensions in brackets [ ] are in millimeters.

continued on next page

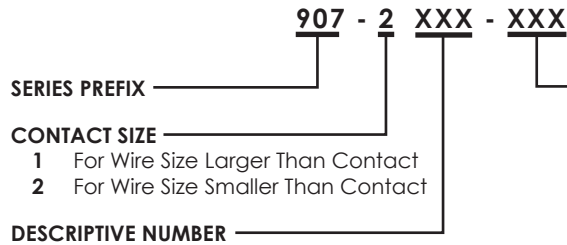
SERIES I **MIL-DTL-5015**  
SOCKET **F80** CRIMP CONTACTS

PART NUMBER	SIZE	MATERIAL	FINISH	FOR WIRE SIZE		A	B	C	D	L
				AWG	MM <sup>2</sup>					
T12-6400-110	12	Copper	Silver	12	3.0	.099 [2.50]	.154 [3.90]	.098 [2.48]	.189 [4.80]	1.480 [37.65]
T12-6430-110	12	Copper	Silver	-	4.0	.118 [3.00]	.176 [4.80]	.098 [2.48]	.189 [4.80]	1.480 [37.65]
T12-6431-110	12	Copper	Silver	-	4.0	.130 [3.30]	.166 [4.20]	.098 [2.48]	.189 [4.80]	1.480 [37.65]
T12-6438-110	12	Copper	Silver	10	6.0	.142 [3.60]	.176 [4.80]	.098 [2.48]	.189 [4.80]	1.480 [37.65]
T12-6408-110	12	Copper	Silver	8	9.0	.177 [4.50]	.272 [6.90]	.098 [2.48]	.189 [4.80]	1.480 [37.65]
T12-7915-510	8	Copper	Silver	18	1.0	.060 [1.50]	.134 [3.40]	.147 [3.73]	.307 [7.80]	1.595 [40.50]
T12-7918-510	8	Copper	Silver	14-18	2.0-1.0	.071 [1.80]	.150 [3.80]	.147 [3.73]	.307 [7.80]	1.595 [40.50]
T12-7926-510	8	Copper	Silver	12	3.0	.099 [2.50]	.154 [3.90]	.147 [3.73]	.307 [7.80]	1.595 [40.50]
T12-7930-510	8	Copper	Silver	-	4.0	.118 [8.00]	.176 [4.80]	.147 [3.73]	.307 [7.80]	1.595 [40.50]
T12-7900-510	8	Copper	Silver	8	9.0	.177 [4.50]	.272 [6.90]	.147 [3.73]	.307 [7.80]	1.595 [40.50]
T12-7950-510	8	Copper	Silver	-	10.0	.201 [5.00]	.272 [6.90]	.147 [3.73]	.307 [7.80]	1.595 [40.50]
T12-7958-510	8	Copper	Silver	6	13.2	.229 [5.80]	.307 [7.80]	.147 [3.73]	.307 [7.80]	1.595 [40.50]
T12-8522-510	4	Copper	Silver	-	2.5	.087 [2.20]	.150 [3.80]	.230 [5.84]	.433 [11.00]	1.625 [41.25]
T12-8526-510	4	Copper	Silver	12	3.0	.099 [2.50]	.150 [3.80]	.230 [5.84]	.433 [11.00]	1.625 [41.25]
T12-8530-510	4	Copper	Silver	-	4.0	.118 [3.00]	.189 [4.80]	.230 [5.84]	.433 [11.00]	1.625 [41.25]
T12-8550-510	4	Copper	Silver	-	10.0	.201 [5.00]	.275 [7.00]	.230 [5.84]	.433 [11.00]	1.625 [41.25]
T12-8562-510	4	Copper	Silver	-	16.0	.244 [6.20]	.374 [9.50]	.230 [5.84]	.433 [11.00]	1.625 [41.25]
T12-8500-510	4	Copper	Silver	4	22.0	.281 [7.15]	.375 [9.50]	.230 [5.84]	.433 [11.00]	1.625 [41.25]
T12-8525-510	4	Copper	Silver	-	25.0	.307 [7.80]	.374 [9.50]	.230 [5.84]	.433 [11.00]	1.625 [41.25]
T12-8535-510	4	Copper	Silver	-	35.0	.354 [9.00]	.565 [14.35]	.230 [5.84]	.433 [11.00]	1.625 [41.25]
T12-9245-510	1/0	Copper	Silver	8	9.0	.177 [4.55]	.268 [6.80]	.365 [9.20]	.595 [15.11]	1.830 [46.50]
T12-9250-510	1/0	Copper	Silver	-	10.0	.201 [5.00]	.275 [7.00]	.365 [9.20]	.595 [15.11]	1.830 [46.50]
T12-9246-510	1/0	Copper	Silver	4	22.0	.281 [7.15]	.375 [9.53]	.365 [9.20]	.595 [15.11]	1.830 [46.50]
T12-9225-510	1/0	Copper	Silver	-	25.0	.307 [7.80]	.374 [9.50]	.365 [9.20]	.595 [15.11]	1.830 [46.50]
T12-9235-510	1/0	Copper	Silver	-	35.0	.354 [9.00]	.565 [14.35]	.365 [9.20]	.595 [15.11]	1.830 [46.50]
T12-9275-510	1/0	Copper	Silver	-	50.0	.421 [10.70]	.565 [14.35]	.365 [9.20]	.595 [15.11]	1.830 [46.50]
T12-9200-510	1/0	Copper	Silver	1/0	53.0	.453 [11.50]	.565 [14.35]	.365 [9.20]	.595 [15.11]	1.830 [46.50]
T12-9790-510	4/0	Copper	Silver	2	33.5	.354 [9.0]	.565 [14.35]	.506 [12.85]	.787 [20.0]	2.29 [58.2]
T12-97115-510	4/0	Copper	Silver	1/0	53.0	.453 [115]	.565 [14.35]	.506 [12.85]	.787 [20.0]	2.22 [56.3]
T12-97135-510	4/0	Copper	Silver	2/0	67.4	.532 [13.5]	.650 [16.5]	.506 [12.85]	.787 [20.0]	2.28 [58.0]
T12-9700-510	4/0	Copper	Silver	4/0	107.0	.650 [16.5]	.787 [20.0]	.506 [12.85]	.787 [20.0]	2.49 [63.0]

Dimensions in brackets [ ] are in millimeters.

# 907-2\*\*\* SERIES

## CRIMP ADAPTER FOR WIRE SIZE SMALLER/LARGER THAN CONTACT



CODE	MATERIAL	FINISH
-000*	360 BRASS	SILVER OVER NICKEL
-011*	360 BRASS	SILVER OVER NICKEL
-100	353 BRASS	UNPLATED
-110	353 BRASS	SILVER OVER NICKEL
-140	353 BRASS	LIGHT GOLD OVER NICKEL
-142	353 BRASS	HEAVY GOLD OVER NICKEL

\* Material/Finish codes -000 & -011 are obsolete, both replaced by -110

CRIMP CONTACT WIRE BARREL SIZE AWG	WIRE SIZE AWG	WIRE SIZE MM	PART NUMBER	A +.002 -.003	B +.002 -.003	C ±.015	D ±.010	E ±.010	F ±.005
22	20		907-1050-***	See page 9A-10					
20	26	0.15	907-2005-***	See page 9A-10					
20	26		907-2011-***	#.023	.042	.120	.069	.015	.050
20	24-30		907-2010-***	.027	.042	.120	.069	.015	.050
20	16		907-1040-***	See page 9A-10					
20	12		907-1030-***	See page 9A-10					
16		0.12	907-2012-***		.063			.015	.068
16	26		907-2013-***		.063			.015	.068
16	24		907-2016-***		.063			.015	.068
16	22-24		907-2020-***	.035	.063	.230	.100	.015	.068
16	22		907-2021-***	#.035	.063	.230	.100	.015	.050
16	22		907-2022-***	.035	.063	.190	.100	.015	.068
16	22		907-2025-***	.043	.059	.149	.100	.015	.068
16	20	0.60	907-2030-***	.045	.063	.230	.100	.015	.068
16	12		907-1020-***	See page 9A-10					
14	22		907-2037-***	.043	.070	.230	.100	.015	.068
12	18		907-2039-***		.094		.140	.015	
12	20		907-2038-***	.046	.094	.221	.140	.015	
12	16	1.50	907-2040-***	.069	.094	.230	.140	.015	.092
12	10		907-1010-***	See page 9A-10					
6.0 MM		1.50	907-2043-***					.015	
6.0 MM		2.50	907-2045-***					.015	
8	18	1.0	907-2049-***		.173		.250	.031	.188
8	16	1.5	907-2050-***	.069	.173	.380	.250	.031	.188
8		2.5	907-2053-***		.173		.250	.031	.188
8	14		907-2055-***	.086	.173	.422	.250	.031	.188
8		4.0	907-2056-***		.173		.250	.031	.188
8	12	3.0	907-2060-***	.098	.173	.380	.250	.031	.188
8	12		907-2061-***	@.101	.173	.380	.250	.031	.188
8	12		907-2062-***	@.101	.173	.380	.250	.031	.188
8	10		907-2068-***		.173		.250	.031	.188
8	10		907-2070-***	.136	.173	.380	.250	.031	.188
8		6.0	907-2071-***		.173		.250	.031	.188
10 MM	12	3.0	907-2077-***				.250	.031	.188
6	10		907-2080-***	.136	.225	.700	.297	.031	.188
6	9		907-2090-***	.155	.225	.700	.297	.031	.219
6	8	9.0	907-2100-***		.225		.297	.031	
16 MM		2.5	907-2102-***					.031	
16 MM		4.0	907-2103-***					.031	

LEGEND: # = ± .001 @ = ± .002

continued on next page

**CRIMP ADAPTER FOR WIRE SIZE SMALLER/LARGER THAN CONTACT**

CRIMP CONTACT WIRE BARREL SIZE AWG	WIRE SIZE AWG	WIRE SIZE MM	PART NUMBER	A +.002 -.003	B +.002 -.003	C ±.015	D ±.010	E ±.010	F ±.005
16 MM		6.0	907-2105-***					.031	
16 MM		10.0	907-2107-***	@.197				.031	
4	10		907-2108-***	.136	.272	.373	.344	.031	.219
4		6.0	907-2109-***		.272	.380	.344	.031	
4	8	9.0	907-2110-***	.185	.272	.380	.344	.031	.250
4	8		907-2111-***	.185	.272	.700	.344	.031	.250
4		10	907-2112-***	@.197	.272	.380	.344	.031	.250
4		15	907-2113-***		.272	.380	.344	.031	.250
4		10.0	907-2114-***	@.244	.272	.380	.344	.031	.250
4	6	13.2	907-2117-***		.272	.380	.344	.031	
4	12		907-2118-***		.272	.380	.344	.031	
4		2.5	907-2119-***		.272	.380	.344	.031	
4	6	13.2	907-2120-***	.225	.272	.380	.344	.031	.292
4	6	13.2	907-2130-***	.225	.272	.700	.344	.031	.292
4	5		907-2140-***	.250	.272	.380	.344	.031	.292
4	5		907-2150-***	.244	.272	.380	.344	.031	.292
4		15.0	907-2152-***		.272	.380	.344	.031	
4		16.0	907-2153-***		.272	.380	.344	.031	
25 MM		6.0	907-2155-***						
25 MM		16.0	907-2156-***						
2	4		907-2158-***						
1	6	13.2	907-2160-***	.225	.396	.700	.516	.031	.422
1	2		907-2170-***	.359	.396	.700	.516	.031	.422
50 MM		25.0	907-2171-***					.031	
1/0	10		907-2172-***	.136	.444	.644		.031	
1/0	8	9.0	907-2173-***	.185	.444	.644		.031	
1/0		10.0	907-2174-***		.444			.031	
1/0	6	13.2	907-2175-***		.444			.031	
1/0		16.0	907-2176-***		.444			.031	
1/0		20.0	907-2178-***		.444			.031	
1/0		25.0	907-2179-***		.444			.031	
1/0	4		907-2180-***	.299	.444	.536	.462	.031	.462
1/0		10.0	907-2181-***	@.197	.444	.500	.516	.031	.462
1/0	2	16.0	907-2182-***	@.244	.444	.500	.516	.031	.462
1/0		25.0	907-2183-***	@.307	.444	.500	.516	.031	.462
1/0		35.0	907-2184-***	@.354	.444	.500	.516	.031	.462
1/0		50.0	907-2185-***	@.421	.444	.500	.516	.031	.462
1/0	2		907-2190-***	.359	.444	.536	.516	.031	.462
1/0	2		907-2210-***	.417	.444	.536	.462	.031	.462
1/0	1		907-2200-***	.390	.444	.536	.462	.031	.462
1/0		35.0	907-2201-***		.444			.031	
1/0		50.0	907-2202-***		.444			.031	
2/0	2		907-2203-***	.359	.491	.528		.031	
2/0		25.0	907-2204-***		.491			.031	
2/0		70.0	907-2205-***		.491			.031	
2/0		50.0	907-2206-***		.491			.031	
70 MM		25.0	907-2210-***					.031	
70 MM		50.0	907-2211-***					.031	
95 MM		70.0	907-2207-***					.031	
4/0	2	67.4	907-2219-***		.629	.700	.719	.031	.462
4/0	2/0	67.4	907-2220-***	.500	.629	.700	.719	.031	.562
4/0	3/0	67.4	907-2221-***		.629	.700	.719	.031	.562
150 MM		70.0	907-2230-***	.500	.629	.700	.719	.031	.562
190 MM	4/0	107.0	907-2240-***					.031	
DIN500		16.0	907-2250-***					.031	
DIN500		35.0	907-2253-***					.031	

LEGEND: # = ± .001 @ = ± .002



# 907-10\*\*\* SERIES

## CRIMP ADAPTER FOR WIRE SIZE LARGER THAN CONTACT

**907 - 1 XXX - XXX**

**SERIES PREFIX** ————

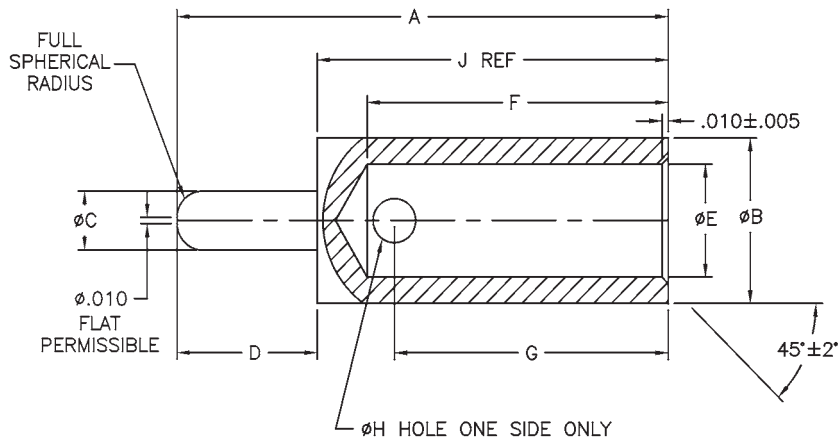
**CONTACT SIZE**  
 1 For Wire Size Larger Than Contact  
 2 For Wire Size Smaller Than Contact

**DESCRIPTIVE NUMBER** ————

**MATERIAL/FINISH**

CODE	MATERIAL	FINISH
-000*	360 BRASS	SILVER OVER NICKEL
-011*	360 BRASS	SILVER OVER NICKEL
-100	353 BRASS	UNPLATED
-110	353 BRASS	SILVER OVER NICKEL
-140	353 BRASS	LIGHT GOLD OVER NICKEL
-142	353 BRASS	HEAVY GOLD OVER NICKEL

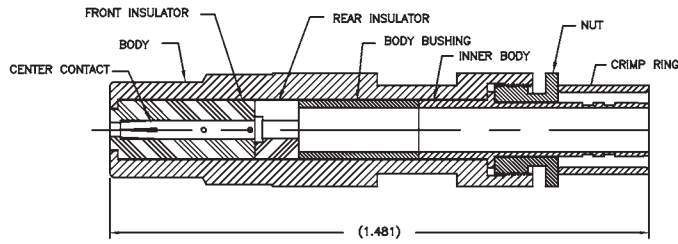
\* Material/Finish codes -000 & -011 are obsolete, both replaced by -110



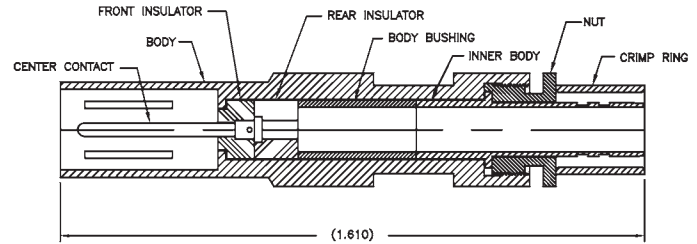
PART NUMBER	CRIMP BARREL WIRE SIZE	WIRE RANGE	A ±.010	B ±.002	C ±.002	D ±.005	E ±.002	F ±.010	G ±.005	H ±.002	J REF
907-1010-XXX	12	8-10	.807	.264	.094	.230	.181	.495	.450	.070	.577
907-1020-XXX	16	12-14	.549	.149	.062	.230	.100	.260	.220	.039	.319
907-1021-XXX	16	12-14	.617	.156	.062	.200	.100	.200	.160	.039	.400
907-1030-XXX	20	12-14	.509	.149	.038	.190	.100	.260	.220	.039	.319
907-1040-XXX	20	16-18	.499	.102	.038	.190	.067	.260	.220	.039	.309
907-1050-XXX	22	20-22	.363	.069	.029	.120	.047	.199	.190	.029	.243

# SIZE 8 COAXIAL SOCKET CONTACT

## SIZE 8 COAXIAL CONTACTS



TYPICAL PIN CONSTRUCTION  
**A12-4XXX-853**



TYPICAL SOCKET COSTRUCTION  
**D12-4XXX-853**

CABLE RG	PIN	SOCKET	CRIMP TOOL DIE*	DIE CLOSURE
RG-58	A12-4000-853	D12-4000-853	M22520/5-41	B
RG-141	A12-4020-853	D12-4020-853	M22520/5-41	B
RG-59	A12-4100-853	D12-4100-853	M22520/5-19	A
RG-62A; 62B	A12-4110-853	D12-4110-853	M22520/5-45	B
RG-174	A12-4200-853	D12-4200-853	M22520/5-35	B
RG-179B; 316	A12-4210-853	D12-4210-853	M22520/5-35	B
RG-180B	A12-4300-853	D12-4300-853	M22520/5-19	B

\* USE CRIMP TOOL M22520/5-01

# TOOLING

## INSERTION, REMOVAL AND CRIMP TOOLS FOR F80 CRIMP CONTACTS MIL-DTL-5015 SERIES I

CONTACT		WIRE SIZE (AWG)	INSERTION TOOL	REMOVAL TOOL KIT	GUIDE PINS	MANUAL CRIMP TOOL FRAME		PICO TOOLS MODEL 300		PICO TOOLS MODEL 400-BHD		PICO TOOLS MODEL 500-D	
						MS3191A	M22520/1-01	DIE PART NO. (Note 2)	LOCATOR PART NO.	DIE PART NO. (Note 2)	LOCATOR PART NO.	DIE PART NO. (Note 2)	LOCATOR PART NO.
P/N	SIZE					LOCATOR	LOCATOR						
R12-2500-*	18 Pin	20-26	T117346	T118249	-	-	-	-	-	414DA-20N	9632	514DA-20N	10627
T12-2500-*	18 Skt	20-26	T117346	T118249	T125000	-	-	-	-	414DA-20N	9641	514DA-20N	10640
R12-3600-*	16 Pin	16-18	T117345	T118250	-	600091†	TH378*	314DA-16	C17P	414DA-16N	9633	514DA-16N	10628
T12-3600-*	16 Skt	16-18	T117345	T118250	T125001	600092M†	TH378*	314DA-16	C17S	414DA-16N	9642	514DA-16N	10641
R12-3608-*	16 Pin	24-26	T117346	T118250	-	-	-	-	-	414DA-22N	9633	-	-
T12-3608-*	16 Skt	24-26	T117346	T118250	T125001	-	-	-	-	414DA-22N	9642	-	-
R12-3612-*	16 Pin	20	T117345	T118250	-	-	-	-	-	414DA-16N	9633	514DA-16N	10628
T12-3612-*	16 Skt	20	T117345	T118250	T125001	-	-	-	-	414DA-16N	9642	514DA-16N	10641
R12-3613-*	16 Pin	20-26	T117346	T118250	-	-	TH378*	314DA-20	C17P	414DA-16N	9633	514DA-16N	10628
T12-3613-*	16 Skt	20-26	T117346	T118250	T125001	-	TH378*	314DA-20	C17S	414DA-16N	9642	514DA-16N	10641
R12-3615-*	16 Pin	18	T117345	T118250	-	-	TH378*	314DA-20	C17P	414DA-16N	9633	514DA-16N	10628
T12-3615-*	16 Skt	18	T117345	T118250	T125001	-	TH378*	314DA-20	C17S	414DA-16N	9642	514DA-16N	10641
R12-3620-*	16 Pin	14	T117345	T118250	-	-	TH378*	314DA-16	C17P	414DA-16N	9633	514DA-16N	10628
T12-3620-*	16 Skt	14	T117345	T118250	T125001	-	TH378*	314DA-16	C17S	414DA-16N	9642	514DA-16N	10641
R12-3626-*	16 Pin	12	T117082	T118250	-	-	TH378*	314DA-12	C17P	414DA-12N	9633	514DA-12N	10628
T12-3626-*	16 Skt	12	T117082	T118250	T125001	-	TH378*	314DA-12	C17S	414DA-12N	9642	514DA-12N	10641
R12-3632-*	16 Pin	28-32	T117345	T118250	-	-	-	-	-	414DA-16N048	9633	514DA-16N048	10628
T12-3632-*	16 Skt	28-32	T117345	T118250	T125001	-	-	-	-	414DA-16N048	9642	514DA-16N048	10641
R12-4900-*	16S Pin	16-18	T117345	T118250	-	600093†	TH379*	314DA-16	C16P	414DA-16N	9634	514DA-16N	10629
T12-4900-*	16S Skt	16-18	T117345	T118250	T125001	600245†	TH379*	314DA-16	C16S	414DA-16N	9634	514DA-16N	10629
R12-4912-*	16S Pin	20	T117345	T118250	-	-	TH379*	314DA-20	C16P	414DA-16N	9634	514DA-16N	10629
T12-4912-*	16S Skt	20	T117345	T118250	T125001	-	TH379*	314DA-20	C16S	414DA-16N	9634	514DA-16N	10629
R12-4913-*	16S Pin	20-26	T117346	T118250	-	-	-	-	-	414DA-20N	9634	514DA-20N	10629
T12-4913-*	16S Skt	20-26	T117346	T118250	T125001	-	-	-	-	414DA-20N	9634	514DA-20N	10629
R12-4915-*	16S Pin	18	T117345	T118250	-	-	-	-	-	414DA-16N	9634	514DA-16N	10629
T12-4915-*	16S Skt	18	T117345	T118250	T125001	-	-	-	-	414DA-16N	9634	514DA-16N	10629
R12-4920-*	16S Pin	14	T117345	T118250	-	-	TH379*	314DA-16	C16P	414DA-16N	9634	514DA-16N	10629
T12-4920-*	16S Skt	14	T117345	T118250	T125001	-	TH379*	314DA-16	C16S	414DA-16N	9634	514DA-16N	10629
R12-4926-*	16S Pin	12	T117082	T118250	-	-	-	-	-	414DA-18N	9634	514DA-18N	10629
T12-4926-*	16S Skt	12	T117082	T118250	T125001	-	-	-	-	414DA-18N	9634	514DA-18N	10629
R12-6400-*	12 Pin	12	T117082	T118250	-	600216†	TH378*	-	-	414DA-12N	9635	514DA-12N	10630
T12-6400-*	12 Skt	12	T117082	T118250	T125002	600216†	TH378*	-	-	414DA-12N	9635	514DA-12N	10630
R12-6408-*	12 Pin	8	T117082	T118250	-	-	-	-	-	414DA-6N155	9635	514DA-6N155	10630
T12-6408-*	12 Skt	8	T117082	T118250	T125002	-	-	-	-	414DA-6N155	9635	514DA-6N155	10630
R12-6412-*	12 Pin	20	T117345	T118250	-	-	-	-	-	414DA-16N	9635	514DA-16N	10630
T12-6412-*	12 Skt	20	T117345	T118250	T125002	-	-	-	-	414DA-16N	9635	514DA-16N	10630
R12-6415-*	12 Pin	18	T117082	T118250	-	600216†	TH378*	-	-	414DA-16N	9635	514DA-16N	10630
T12-6415-*	12 Skt	18	T117082	T118250	T125002	600216†	TH378*	-	-	414DA-16N	9635	514DA-16N	10630
R12-6420-*	12 Pin	14-18	T117082	T118250	-	-	-	-	-	414DA-10N096	9635	514DA-10N096	10630
T12-6420-*	12 Skt	14-18	T117082	T118250	T125002	-	-	-	-	414DA-10N096	9635	514DA-10N096	10630
R12-6422-*	12 Pin	2.5mm <sup>2</sup>	T117082	T118250	-	620216†	-	-	-	414DA-8N142	9635	514DA-8N142	10630
T12-6422-*	12 Skt	2.5mm <sup>2</sup>	T117082	T118250	T125002	620216†	-	-	-	414DA-8N142	9635	514DA-8N142	10630
R12-6430-*	12 Pin	4.0mm <sup>2</sup>	T117082	T118250	-	7100659†	-	-	-	414DA-10N096	9635	514DA-10N096	10630
T12-6430-*	12 Skt	4.0mm <sup>2</sup>	T117082	T118250	T125002	7100659†	-	-	-	414DA-10N	9635	514DA-10N	10630
R12-6431-*	12 Pin	4.0mm <sup>2</sup>	T117082	M118250	-	-	-	-	-	414DA-10N	9635	514DA-10N	10630
T12-6431-*	12 Skt	4.0mm <sup>2</sup>	T117082	M118250	T125002	-	-	-	-	414DA-10N	9635	514DA-10N	10630
R12-6438-*	12 Pin	6.0mm <sup>2</sup>	T117082	M118250	-	-	-	-	-	414DA-10N	9635	514DA-10N	10630
T12-6438-*	12 Skt	6.0mm <sup>2</sup>	T117082	M118250	T125002	-	-	-	-	414DA-10N	9635	514DA-10N	10630
R12-7900-*	8 Pin	8	T117344	T118260	Not Required	-	-	-	-	414DA-6N155	9636	514DA-6N155	10631
T12-7900-*	8 Skt	8	T117344	T118260		-	-	-	-	414DA-6N155	9636	514DA-6N155	10631
R12-7915-*	8 Pin	18	T117082	T118260		-	-	-	-	414DA-12N077	9636	514DA-12N077	10631
T12-7915-*	8 Skt	18	T117082	T118260		-	-	-	-	414DA-12N077	9636	514DA-12N077	10631
R12-7918-*	8 Pin	14-18	T117082	T118260		-	-	-	-	414DA-18N	9636	514DA-18N	10631
T12-7918-*	8 Skt	14-18	T117082	T118260		-	-	-	-	414DA-18N	9636	514DA-18N	10631

Note 1. Consult sales department.

Note 2. Pico Tools Die part numbers ending in letter N are for an 8 indent crimp. For Hex crimp, change letter N to HEX.

\* Indicates additional alpha-numeric are required to complete part number.

† Locators provided by Astro Tool.



## INSERTION, REMOVAL AND CRIMP TOOLS FOR F80 CRIMP CONTACTS MIL-DTL-5015 SERIES I

CONTACT		WIRE SIZE (AWG)	INSERTION TOOL	REMOVAL TOOL KIT	GUIDE PINS	MANUAL CRIMP TOOL FRAME		PICO TOOLS MODEL 300		PICO TOOLS MODEL 400-BHD		PICO TOOLS MODEL 500-D			
						MS3191A	M22520/1-01	DIE PART NO. (Note 2)	LOCATOR PART NO.	DIE PART NO. (Note 2)	LOCATOR PART NO.	DIE PART NO. (Note 2)	LOCATOR PART NO.		
P/N	SIZE					LOCATOR	LOCATOR								
R12-7926-*	8 Pin	12	T117082	T118260	Not Required	-	-	-	-	414DA-18N	9636	514DA-18N	10631		
T12-7926-*	8 Skt	12	T117082	T118260		-	-	-	-	414DA-18N	9636	514DA-18N	10631		
R12-7930-*	8 Pin	4.0mm²	T117082	T118260		-	-	-	-	414DA-10N096	9636	514DA-10N096	10631		
T12-7930-*	8 Skt	4.0mm²	T117082	T118260		-	-	-	-	414DA-10N096	9636	514DA-10N096	10631		
R12-7950-*	8 Pin	10.0mm²	T117344	T118260		-	-	-	-	414DA-8N142	9636	514DA-8N142	10631		
T12-7950-*	8 Skt	10.0mm²	T117344	T118260		-	-	-	-	414DA-8N142	9636	514DA-8N142	10631		
R12-7958-*	8 Pin	6	Note 1	T118260		-	-	-	-	414DA-6N170	9636	514DA-6N170	10631		
T12-7958-*	8 Skt	6	Note 1	T118260		-	-	-	-	414DA-6N170	9636	514DA-6N170	10631		
R12-8500-*	4 Pin	4	T117347	T118270	Not Required	-	-	-	-	414DA-4N215	9637	514DA-4N215	10632		
T12-8500-*	4 Skt	4	T117347	T118270		-	-	-	-	414DA-4N215	9637	514DA-4N215	10632		
R12-8522-*	4 Pin	2.5mm²	T117082	T118270		-	-	-	-	414DA-18N	9637	514DA-18N	10632		
T12-8522-*	4 Skt	2.5mm²	T117082	T118270		-	-	-	-	414DA-18N	9637	514DA-18N	10632		
R12-8525-*	4 Pin	25.0mm²	T117347	T118270		-	-	-	-	414DA-4N	9637	514DA-4N	10632		
T12-8525-*	4 Skt	25.0mm²	T117347	T118270		-	-	-	-	414DA-4N	9637	514DA-4N	10632		
R12-8526-*	4 Pin	12	T117082	T118270		-	-	-	-	414DA-10N	9637	514DA-10N	10632		
T12-8526-*	4 Skt	12	T117082	T118270		-	-	-	-	414DA-10N	9637	514DA-10N	10632		
R12-8530-*	4 Pin	4.0mm²	T117082	T118270		-	-	-	-	414DA-10N105	9637	514DA-10N105	10632		
T12-8530-*	4 Skt	4.0mm²	T117082	T118270		-	-	-	-	414DA-10N105	9637	514DA-10N105	10632		
R12-8535-*	4 Pin	35.0mm²	T117348	T118270		-	-	-	-	414DA-0N315	9637	514DA-0N315	10632		
T12-8535-*	4 Skt	35.0mm²	T117348	T118270		-	-	-	-	414DA-0N315	9637	514DA-0N315	10632		
R12-8550-*	4 Pin	10.0mm²	T117344	T118270		-	-	-	-	414DA-8N142	9637	514DA-8N142	10632		
T12-8550-*	4 Skt	10.0mm²	T117344	T118270		-	-	-	-	414DA-8N142	9637	514DA-8N142	10632		
R12-8562-*	4 Pin	16.0mm²	T117347	T118270		-	-	-	-	414DA-4N	9637	514DA-4N	10632		
T12-8562-*	4 Skt	16.0mm²	T117347	T118270		-	-	-	-	414DA-4N	9637	514DA-4N	10632		
R12-9200-*	1/0 Pin	1/0	T117348	T118280		Not Required	-	-	-	-	414DA-0N	9638	514DA-0N	10633	
T12-9200-*	1/0 Skt	1/0	T117348	T118280			-	-	-	-	414DA-0N	9638	514DA-0N	10633	
R12-9225-*	1/0 Pin	25.0mm²	T117347	T118280			-	-	-	-	414DA-4N	9638	514DA-4N	10633	
T12-9225-*	1/0 Skt	25.0mm²	T117347	T118280			-	-	-	-	414DA-4N	9638	514DA-4N	10633	
R12-9235-*	1/0 Pin	35.0mm²	T117348	T118280	-		-	-	-	414DA-0N	9638	514DA-0N	10633		
T12-9235-*	1/0 Skt	35.0mm²	T117348	T118280	-		-	-	-	414DA-0N	9638	514DA-0N	10633		
R12-9245-*	1/0 Pin	8	T117344	T118280	-		-	-	-	414DA-6N155	9638	514DA-6N155	10633		
T12-9245-*	1/0 Skt	8	T117344	T118280	-		-	-	-	414DA-6N155	9638	514DA-6N155	10633		
R12-9246-*	1/0 Pin	4	Note 1	T118280	-		-	-	-	414DA-4N	9638	514DA-4N	10633		
T12-9246-*	1/0 Skt	4	Note 1	T118280	-		-	-	-	414DA-4N	9638	514DA-4N	10633		
R12-9250-*	1/0 Pin	10.0mm²	T117344	T118280	-		-	-	-	414DA-4N	9638	514DA-4N	10633		
T12-9250-*	1/0 Skt	10.0mm²	T117344	T118280	-		-	-	-	414DA-4N	9638	514DA-4N	10633		
R12-9275-*	1/0 Pin	50.0mm²	T117348	T118280	-		-	-	-	414DA-0N	9638	514DA-0N	10633		
T12-9275-*	1/0 Skt	50.0mm²	T117348	T118280	-		-	-	-	414DA-0N	9638	514DA-0N	10633		
R12-9700-*	4/0 Pin	4/0	Note 1	Note 1	Not Required		-	-	-	-	-	-	514DA-N470	10636	
T12-9700-*	4/0 Skt	4/0	Note 1	Note 1			-	-	-	-	-	-	-	514DA-N470	10639
R12-9790-*	4/0 Pin	2	Note 1	Note 1			-	-	-	-	414DA-0N	9639	514DA-0N	10634	
T12-9790-*	4/0 Skt	2	Note 1	Note 1			-	-	-	-	414DA-0N	9640	514DA-0N	10637	
R12-97115-*	4/0 Pin	1/0	Note 1	Note 1		-	-	-	-	414DA-0N	9639	514DA-0N	10634		
T12-97115-*	4/0 Skt	1/0	Note 1	Note 1		-	-	-	-	414DA-0N	9640	514DA-0N	10637		
R12-97135-*	4/0 Pin	2/0	Note 1	Note 1		-	-	-	-	-	-	-	514DA-N345	10635	
T12-97135-*	4/0 Skt	2/0	Note 1	Note 1		-	-	-	-	-	-	-	514DA-N345	10638	

Note 1. Consult sales department.

Note 2. Pico Tools Die part numbers ending in letter N are for an 8 indent crimp. For Hex crimp, change letter N to HEX.

\* Indicates additional alpha-numeric are required to complete part number.

† Locators provided by Astro Tool.



# TOOLING

## INSERTION AND REMOVAL TOOLS FOR **F80** CRIMP CONTACTS MIL-DTL-5015 SERIES I

### ALTERNATE INSERTION TOOLS

CONTACT SIZE	SPACECRAFT	ASTRO TOOL	BENDIX	ITT CANNON	COMMITAL	DANIELS	VEAM
18	T117346	-	-	-	M.117346	-	T98143
16	T117345	ATBX1-7345	11-7345	CIT-F80-16	M.117345	DAK168-16	11-7345
12	T117082	ATBX1-7082	11-7082	CIT-F80-12	M.117082	DAK168-12	46736
8	T117344	ATBX 1-8220	11-8220	CIT-8	M117344	DAK159	A46151-8T50
4	T117347	ATC1377	11-7365-4*	CIT-4	M.117347	-	A46151-4T50
1/0	T117348	-	11-7365-5*	CIT-0	M.117348	-	A46151-0T50

\* Requires 11-7364 Arbor Press

### ALTERNATE REMOVAL TOOLS

CONTACT SIZE	SPACECRAFT	ASTRO TOOL	BENDIX	ITT CANNON	COMMITAL	DANIELS	VEAM
18	T118249	-	-	-	M.118249	-	11-7576-37
16	T118250	ATBX2-8250	11 -8250(Kit)	CET-F80-16	M.118250	DRK59	A43240
12	T118250	ATBX2-8250	11 -8250(Kit)	CET-F80-12	M.118250	DRK59	A43240
8	T117260	ATBX2-8250	11 -8250(Kit)	CET-8	M.118260	DRK59	A43240-8
4	T118270	ATC2234	P=11-7370-4* S=11-7674-2*	CET-4	M.118270	-	46150-4
1/0	T118280	-	P=11-7370-5* S=11-7674-3*	CET-0	M.118280	-	46150-0

\* Requires 11-7364 Arbor Press

### ALTERNATE GUIDE PINS

CONTACT SIZE	SPACECRAFT	BENDIX	ITT CANNON	COMMITAL	VEAM
18	T125000	-	-	M.125000	27977-20T50
16	T125001	Unknown	226-1017-000	M.125001	27977-16T50
12	T125002	Unknown	226-1018-000	M.125002	27977-16T50
8	T125003	Unknown	Not Required	M.125003	Not Required
4	Not Required	Not Required	Not Required	Not Required	Not Required
1/0	Not Required	Not Required	Not Required	Not Required	Not Required

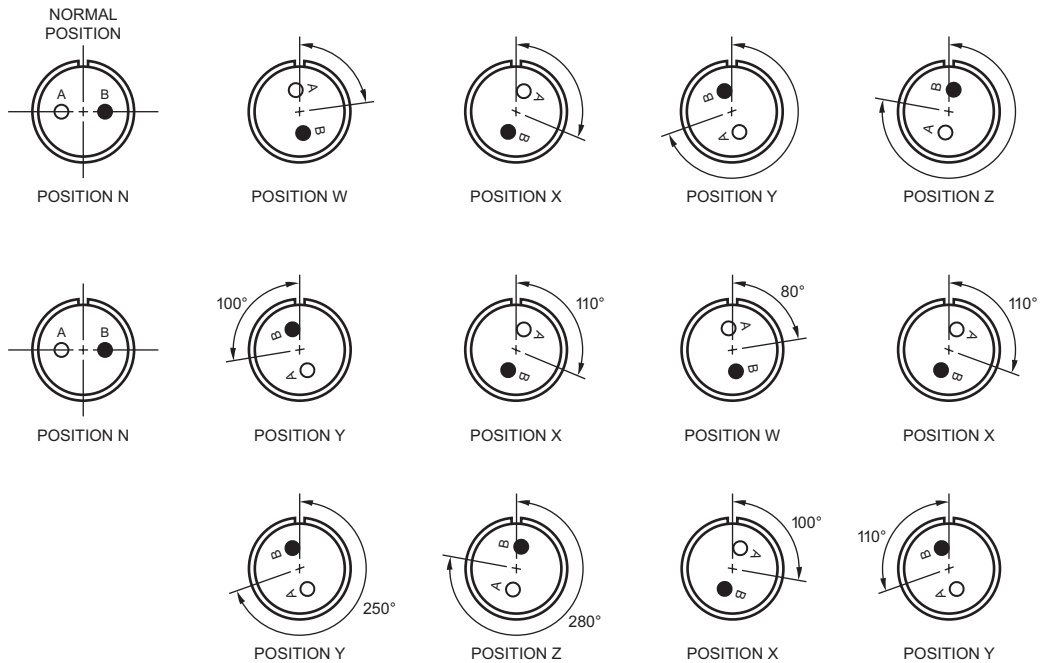


# SECTION 10A

## INSERT CONFIGURATIONS

### ALTERNATE POSITIONS (POLARIZATION)

The diagrams indicate alternate insert positions. The four positions (W, X, Y, and Z) differ in degree of rotation for various sizes and layouts. The exact angle of rotation of the combinations are listed on pages 10A-18 thru 10A-27.



ENGAGING FACE OF PIN INSERTS SHOWN  
 SOCKET INSERTS ARE MIRROR IMAGES

10A

# MIL-DTL-5015

## INSERT CONFIGURATIONS BY SHELL SIZE

INSERT NUMBER	CONTACTS							ALTERNATE POSITIONS (Degrees)				REMARKS	
	TOTAL	SIZE						W	X	Y	Z		
		#20	#18	#16	#12	#8	#4						#0
8S-1†	1			1					-	-	-	-	
10S-2†	1			1					-	-	-	-	
10SL-3†*	3			3					-	-	-	-	Position Q = 180°
10SL-4‡*	2			2					-	-	-	-	
10SL-51	2			2					-	-	-	-	Thermocouple - see page 10A-18
10SL-52	2			2					-	-	-	-	Thermocouple - see page 10A-18
10SL-53	2			2					-	-	-	-	Thermocouple - see page 10A-18
10SL-54	3			3					-	-	-	-	Thermocouple - see page 10A-18
10SL-55	3			3					-	-	-	-	Thermocouple - see page 10A-18
10SL-56	2			2					-	-	-	-	Thermocouple - see page 10A-18
10SL-57	2			2					-	-	-	-	Thermocouple - see page 10A-18
10SL-58	3			3					-	-	-	-	Thermocouple - see page 10A-18
10SL-59	2			2					-	-	-	-	Thermocouple - see page 10A-18
10SL-60	2			2					-	-	-	-	Thermocouple - see page 10A-18
10SL-61	2			2					-	-	-	-	Thermocouple - see page 10A-18
10SL-62	3			3					-	-	-	-	Thermocouple - see page 10A-18
10SL-63	3			3					-	-	-	-	Thermocouple - see page 10A-18
10SL-64	3			3					-	-	-	-	Thermocouple - see page 10A-18
10SL-401	2			2					-	-	-	-	Thermocouple - see page 10A-18
12S-1‡	2			2					-	-	-	-	Position #12 of 12S-3
12S-2‡	2			2					-	-	-	-	Position #13 of 12S-3
12S-3†	2			2					70	145	215	290	
12S-4†	1			1					-	-	-	-	
12-5†	1				1				-	-	-	-	
12S-6	2			2					-	-	-	-	Thermocouple - see page 10A-18
12S-51	2			2					-	-	-	-	Thermocouple - see page 10A-18
12S-54	2			2					-	-	-	-	Thermocouple - see page 10A-18
12S-55	2			2					-	-	-	-	Thermocouple - see page 10A-18
12S-56	2			2					-	-	-	-	Thermocouple - see page 10A-18
12S-57	2			2					-	-	-	-	Thermocouple - see page 10A-18
12S-58	2			2					-	-	-	-	Thermocouple - see page 10A-18
12S-59	2			2					-	-	-	-	Thermocouple - see page 10A-18
12S-60	2			2					-	-	-	-	Thermocouple - see page 10A-18
12S-61	2			2					-	-	-	-	Thermocouple - see page 10A-18
12S-62	2			2					-	-	-	-	Thermocouple - see page 10A-18
12S-64	2			2					-	-	-	-	Thermocouple - see page 10A-18
12S-65	2			2					-	-	-	-	Thermocouple - see page 10A-18
12S-407	2			2					-	-	-	-	Thermocouple - see page 10A-18
12S-409	2			2					-	-	-	-	Thermocouple - see page 10A-18
14S-1‡	3			3					-	-	-	-	Same as 14S-7
14S-2†	4			4					-	120	240	-	
14-3†	1					1			-	-	-	-	
14S-4‡	1			1					-	-	-	-	
14S-5†	5			5					-	110	-	-	
14S-6†	6			6					-	-	-	-	
14S-07	7			7					-	-	-	-	Use 14SA7
14SA7	7			7					-	-	-	-	

† = Military designation per MIL-STD-1651.  
‡ = Military designation inactive for new design.  
\* = VG95234

continued on next page

## INSERT CONFIGURATIONS BY SHELL SIZE

INSERT NUMBER	CONTACTS								ALTERNATE POSITIONS (Degrees)				REMARKS
	TOTAL	SIZE							W	X	Y	Z	
		#20	#18	#16	#12	#8	#4	#0					
14S-7†	3			3					90	180	270	-	Replaces: 14SA7, 14S-07
14S-9‡	2			2					70	145	215	290	
14S-10‡	4			4					-	-	-	-	Position #12 of 14S-2
14S-11‡	4			4					-	-	-	-	Position #13 of 14S-2
14S-12‡	3			3					-	-	-	-	Position #12 of 14S-1
14S-1	3			3					-	-	-	-	Position #2 of 14S-1
14S-14‡	4			4					-	-	-	-	Position #12 of 14S-2
14S-51	2			2					-	-	-	-	Thermocouple - see page 10A-18
14S-52	4			4					-	-	-	-	Thermocouple - see page 10A-18
14S-53	2			2					-	-	-	-	Thermocouple - see page 10A-18
14S-54	6			6					-	-	-	-	Thermocouple - see page 10A-18
14S-55	4			4					-	-	-	-	Thermocouple - see page 10A-18
14S-56	4			4					-	-	-	-	Thermocouple - see page 10A-18
14S-57	4			4					-	-	-	-	Thermocouple - see page 10A-18
14S-58	3			3					-	-	-	-	Thermocouple - see page 10A-18
14S-59	6			6					-	-	-	-	Thermocouple - see page 10A-18
14S-59	2			2					-	-	-	-	Thermocouple - see page 10A-18
14S-60	2			2					-	-	-	-	Thermocouple - see page 10A-18
14S-61	6			6					-	-	-	-	Thermocouple - see page 10A-18
14S-63	6			6					-	-	-	-	Thermocouple - see page 10A-19
14S-64	4			4					-	-	-	-	Thermocouple - see page 10A-19
14S-65	6			6					-	-	-	-	Thermocouple - see page 10A-19
14S-67	6			6					-	-	-	-	Thermocouple - see page 10A-19
14S-68	4			4					-	-	-	-	Thermocouple - see page 10A-19
14S-69	3			3					-	-	-	-	Thermocouple - see page 10A-19
14S-70	4			4					-	-	-	-	Thermocouple - see page 10A-19
14S-71	4			4					-	-	-	-	Thermocouple - see page 10A-19
14S-72	2			2					-	-	-	-	Thermocouple - see page 10A-19
14S-73	4			4					-	-	-	-	Thermocouple - see page 10A-19
14S-74	4			4					-	-	-	-	Thermocouple - see page 10A-19
14S-75	4			4					-	-	-	-	Thermocouple - see page 10A-19
14S-76	4			4					-	-	-	-	Thermocouple - see page 10A-19
14S-79	5			5					-	-	-	-	Thermocouple - see page 10A-19
14S-81	2			2					-	-	-	-	Thermocouple - see page 10A-19
14S-82	4			4					-	-	-	-	Thermocouple - see page 10A-19
14S-83	6			6					-	-	-	-	Thermocouple - see page 10A-19
14S-84	6			6					-	-	-	-	Thermocouple - see page 10A-19
14S-85	3			3					-	-	-	-	Thermocouple - see page 10A-19
14S-86	6			6					-	-	-	-	Thermocouple - see page 10A-19
14S-87	6			6					-	-	-	-	Thermocouple - see page 10A-19
14S-88	2			2					-	-	-	-	Thermocouple - see page 10A-19
14S-89	3			3					-	-	-	-	Thermocouple - see page 10A-19
14S-90	6			6					-	-	-	-	Thermocouple - see page 10A-19
14S-91	4			4					-	-	-	-	Thermocouple - see page 10A-19
14S-93	6			6					-	-	-	-	Thermocouple - see page 10A-19
14S-414	2			2					-	-	-	-	Thermocouple - see page 10A-19
14S-415	6			6					-	-	-	-	Thermocouple - see page 10A-19

† = Military designation per MIL-STD-1651.  
‡ = Military designation inactive for new design.  
\* = VG95234

continued on next page

# MIL-DTL-5015

## INSERT CONFIGURATIONS BY SHELL SIZE

INSERT NUMBER	CONTACTS							ALTERNATE POSITIONS (Degrees)				REMARKS	
	TOTAL	SIZE						W	X	Y	Z		
		#20	#18	#16	#12	#8	#4						#0
14S-419	4			4					-	-	-	-	Thermocouple - see page 10A-19
14S-421	6			6					-	-	-	-	Thermocouple - see page 10A-19
14S-422	6			6					-	-	-	-	Thermocouple - see page 10A-19
14S-423	6			6					-	-	-	-	Thermocouple - see page 10A-19
14S-424	6			6					-	-	-	-	Thermocouple - see page 10A-19
14S-433	4			4					-	-	-	-	Thermocouple - see page 10A-19
14S-446	4			4					-	-	-	-	Thermocouple - see page 10A-19
16S-11*	7			7					80	-	-	280	
16-2†	1				1				-	-	-	-	
16S-3‡	1			1					-	-	-	-	
16S-4†*	2			2					35	110	250	325	
16S-5‡	3			3					70	145	215	290	
16S-6‡	3			3					90	180	270	-	
16-7†	3			2		1			80	110	250	280	
16S-8†	5			5					-	170	265	-	
16-9†	4			2	2				35	110	250	325	
16-10†*	3				3				90	180	270	-	
16A10	10			10					35	112	235	315	
16-11†	2				2				35	110	250	325	
16A11*	2				2				-	110	250	-	
16-12†*	1						1		-	-	-	-	
16-13†	2				2				35	110	250	325	Thermocouple - see page 10A-19
16S-14‡	3			3					-	-	-	-	Position #3 of 16S-5
16S-15‡	2			2					-	-	-	-	Position #12 of 16S-4
16S-16‡	2			2					-	-	-	-	Position #13 of 16S-4
16S-50	5			5					-	-	-	-	Thermocouple - see page 10A-19
16S-51	7			7					-	-	-	-	Thermocouple - see page 10A-19
16-52	2				2				-	-	-	-	Thermocouple - see page 10A-19
16S-52	2			2					-	-	-	-	Thermocouple - see page 10A-19
16-53	4			2	2				-	-	-	-	Thermocouple - see page 10A-19
16S-54	7			7					-	-	-	-	Thermocouple - see page 10A-20
16-55	3				3				-	-	-	-	Thermocouple - see page 10A-20
16-56	2				2				-	-	-	-	Thermocouple - see page 10A-20
16S-56	7			7					-	-	-	-	Thermocouple - see page 10A-20
16-57	3				3				-	-	-	-	Thermocouple - see page 10A-20
16S-57	7			7					-	-	-	-	Thermocouple - see page 10A-20
16-58	3				3				-	-	-	-	Thermocouple - see page 10A-20
16S-58	7			7					-	-	-	-	Thermocouple - see page 10A-20
16S-59	7			7					-	-	-	-	Thermocouple - see page 10A-20
16-60	2				2				-	-	-	-	Thermocouple - see page 10A-20
16S-60	7			7					-	-	-	-	Thermocouple - see page 10A-20
16S-61	7			7					-	-	-	-	Thermocouple - see page 10A-20
16-62	2				2				-	-	-	-	Thermocouple - see page 10A-20
16-67	2				2				-	-	-	-	Thermocouple - see page 10A-20
16-68	4			2	2				-	-	-	-	Thermocouple - see page 10A-20
16-412	2				2				-	-	-	-	Thermocouple - see page 10A-20
16-414	2				2				-	-	-	-	Thermocouple - see page 10A-20

† = Military designation per MIL-STD-1651.  
 ‡ = Military designation inactive for new design.  
 \* = VG95234

continued on next page

## INSERT CONFIGURATIONS BY SHELL SIZE

INSERT NUMBER	CONTACTS								ALTERNATE POSITIONS (Degrees)				REMARKS
	TOTAL	SIZE							W	X	Y	Z	
		#20	#18	#16	#12	#8	#4	#0					
16S-417	2			2					-	-	-	-	Thermocouple - see page 10A-20
16S-418	2			2					-	-	-	-	Thermocouple - see page 10A-20
16S-419	2			2					-	-	-	-	Thermocouple - see page 10A-20
16-848	2				2				-	-	-	-	Thermocouple - see page 10A-20
18-11*	10			10					70	145	215	290	
18-3†	2				2				35	110	250	325	
18-4†	4			4					35	110	250	325	
18-5†	3			1	2				80	110	250	280	
18-06	6			2	4				-	180	-	-	Use 18A6
18-6†	1						1		-	-	-	-	
18A6	6			2	4				-	180	-	-	
18-7†	1					1			-	-	-	-	
18-8†	8			7	1				70	-	-	290	
18-9†	7			5	2				80	110	270	280	
18-10†	4				4				-	120	240	-	
18-11†*	5				5				-	170	265	-	
18-12†	6			6					80	-	-	280	
18-13†*	4				3	1			80	110	250	280	
18-14†	2			1			1		80	110	250	280	
18-15†	4				4				-	120	240	-	Thermocouple - see page 10A-20
18-16	1				1				-	-	-	-	High voltage
18-17†	7			5	2				-	-	-	-	100 Deg Rotation To Right of 18-9
18-18†	7			5	2				-	-	-	-	250 Deg Rotation To Right of 18-9
18-19†	10			10					-	120	240	-	
18-20†	5			5					90	180	270	-	
18-211	3				3				70	145	215	290	
18-22†	3			3					70	145	215	290	
18-23†	10			10					-	-	-	-	Position #12 of 18-1
18-24†	10			10					-	-	-	-	Position #13 of 18-1
18-25†	2				2				-	-	-	-	Position #12 of 18-3
18-26†	2				2				-	-	-	-	Position #13 of 18-3
18-27†	3			1	2				-	-	-	-	Position #12 of 18-5
18-28†	3			1	2				90	180	270	-	Position #13 of 18-5
18-29†	5			5					90	180	270	-	
18-30†	5			5					-	-	-	-	Position #3 of 18-20
18-31†	5			5					-	-	-	-	Position #2 of 18-20
18A31	10			10					-	-	-	-	Position #5 of 18-1
18-41	4			4					-	-	-	-	Thermocouple - see page 10A-20
18-42	4			4					-	-	-	-	Thermocouple - see page 10A-20
18-43	4			4					-	-	-	-	Thermocouple - see page 10A-20
18-44	3			3					-	-	-	-	Thermocouple - see page 10A-20
18-45	5			5					-	-	-	-	Thermocouple - see page 10A-20
18-46	4			4					-	-	-	-	Thermocouple - see page 10A-20
18-51	6			6					-	-	-	-	Thermocouple - see page 10A-20
18-52	5				5				-	-	-	-	Thermocouple - see page 10A-20
18-53	6			6					-	-	-	-	Thermocouple - see page 10A-20
18-54	4				4				-	-	-	-	Thermocouple - see page 10A-20

† = Military designation per MIL-STD-1651.  
 ‡ = Military designation inactive for new design.  
 \* = VG95234

continued on next page

# MIL-DTL-5015

## INSERT CONFIGURATIONS BY SHELL SIZE

INSERT NUMBER	CONTACTS							ALTERNATE POSITIONS (Degrees)				REMARKS	
	TOTAL	SIZE						W	X	Y	Z		
		#20	#18	#16	#12	#8	#4						#0
18-56	10			10					-	-	-	-	Thermocouple - see page 10A-20
18-57	6			6					-	-	-	-	Thermocouple - see page 10A-20
18-59	6			6					-	-	-	-	Thermocouple - see page 10A-20
18-60	5				5				-	-	-	-	Thermocouple - see page 10A-20
18-61	6			6					-	-	-	-	Thermocouple - see page 10A-20
18-62	6			6					-	-	-	-	Thermocouple - see page 10A-20
18-63	4				4				-	-	-	-	Thermocouple - see page 10A-20
18-65	6			6					-	-	-	-	Thermocouple - see page 10A-21
18-66	10			10					-	-	-	-	Thermocouple - see page 10A-21
18-67	6			6					-	-	-	-	Thermocouple - see page 10A-21
18-68	5				5				-	-	-	-	Thermocouple - see page 10A-21
18-69	10			10					-	-	-	-	Thermocouple - see page 10A-21
18-70	5				5				-	-	-	-	Thermocouple - see page 10A-21
18-72	4				4				-	-	-	-	Thermocouple - see page 10A-21
18-73	7			5	2				-	-	-	-	Thermocouple - see page 10A-21
18-74	6			6					-	-	-	-	Thermocouple - see page 10A-21
18-75	10			10					-	-	-	-	Thermocouple - see page 10A-21
18-76	10			10					-	-	-	-	Thermocouple - see page 10A-21
18-77	10			10					-	-	-	-	Thermocouple - see page 10A-21
18-78	10			10					-	-	-	-	Thermocouple - see page 10A-21
18-79	6			6					-	-	-	-	Thermocouple - see page 10A-21
18-80	4				4				-	-	-	-	Thermocouple - see page 10A-21
18-81	10			10					-	-	-	-	Thermocouple - see page 10A-21
18-82	10			10					-	-	-	-	Thermocouple - see page 10A-21
18-401	4				4				-	-	-	-	Thermocouple - see page 10A-21
18-402	4				4				-	-	-	-	Thermocouple - see page 10A-21
18-403	4				4				-	-	-	-	Thermocouple - see page 10A-21
18-404	2				2				-	-	-	-	Thermocouple - see page 10A-21
18-405	2				2				-	-	-	-	Thermocouple - see page 10A-21
18-411	4				4				-	-	-	-	Thermocouple - see page 10A-21
18-422	2				2				-	-	-	-	Thermocouple - see page 10A-21
18-423	8			7	1				-	-	-	-	Thermocouple - see page 10A-21
18-426	10			10					-	-	-	-	Thermocouple - see page 10A-21
18-434	10			10					-	-	-	-	Thermocouple - see page 10A-21
18-435	10			10					-	-	-	-	Thermocouple - see page 10A-21
18-439	10			10					-	-	-	-	Thermocouple - see page 10A-21
18-443	6			6					-	-	-	-	Thermocouple - see page 10A-21
18-451	6			6					-	-	-	-	Thermocouple - see page 10A-21
18-452	4				4				-	-	-	-	Thermocouple - see page 10A-21
18-2005-31	10			10					-	-	-	-	Position #5 of 18-1
20-1*	14			14					-	-	-	-	Same as 20-27
20-2†	1						1		-	-	-	-	
20-3*	3				3				70	145	215	290	
20-4‡	4				4				45	110	250	-	
20-5*	2			2					35	110	250	325	
20-6*	3			3					70	145	215	290	
20-7‡	8			8					80	110	250	280	

† = Military designation per MIL-STD-1651.  
‡ = Military designation inactive for new design.  
\* = VG95234

continued on next page

## INSERT CONFIGURATIONS BY SHELL SIZE

INSERT NUMBER	CONTACTS								ALTERNATE POSITIONS (Degrees)				REMARKS
	TOTAL	SIZE							W	X	Y	Z	
		#20	#18	#16	#12	#8	#4	#0					
20-8†*	6			4		2			80	110	250	280	
20B8	8			4	4				80	110	250	280	
20-9†	8			7	1				80	110	250	280	
20A9*	9				9				-	110	250	-	
20-10*	4			4					-	-	-	-	
20-11*	13			13					-	-	-	-	
20-12*	2			1			1		80	110	250	280	
20-13*	4			4					-	-	-	-	
20-14†	5				3	2			80	110	250	280	
20-15†*	7				7				80	-	-	280	
20-16†	9			7	2				80	110	250	280	
20A16	13			13					-	-	-	-	Same as 20-11
20-17†	6			1	5				90	180	270	-	
20-18†	9			6	3				35	110	250	325	
20-19*	3					3			90	180	270	-	
20-20*	4				3		1		80	110	250	280	
20-21†	9			8	1				35	110	250	325	
20-22†	6			3		3			80	110	250	280	
20-23*	2					2			35	110	250	325	
20-24*	4			2		2			35	110	250	325	
20-25*	13			13					-	-	-	-	Position #12 of 20-11
20-26*	3				3				-	-	-	-	
20-27†	14			14					35	110	250	325	
20-29†	17			17					80	-	-	280	
20-30*	13			13					-	-	-	-	Position #13 of 20-11
20-31*	11			11					-	-	-	-	
20-32*	8			8					-	-	-	-	Position #2 of 20-7
20-33†	11			11					-	-	-	-	
20A48*	19			19					-	80	280	-	
20-50	17			17					-	-	-	-	Thermocouple - see page 10A-21
20-52	4				4				-	-	-	-	Thermocouple - see page 10A-21
20-56	8			8					-	-	-	-	Thermocouple - see page 10A-21
20-58	10			5	5				-	-	-	-	
20-60	8			8					-	-	-	-	Thermocouple - see page 10A-21
20-61	17			17					-	-	-	-	Thermocouple - see page 10A-21
20-62	7				7				-	-	-	-	Thermocouple - see page 10A-21
20-64	14			14					-	-	-	-	Thermocouple - see page 10A-21
20-65	14			14					-	-	-	-	Thermocouple - see page 10A-21
20-67	9			7	2				-	-	-	-	Thermocouple - see page 10A-21
20-68	8			8					-	-	-	-	Thermocouple - see page 10A-21
20-69	14			14					-	-	-	-	Thermocouple - see page 10A-21
20-70	17			17					-	-	-	-	Thermocouple - see page 10A-22
20-71	17			17					-	-	-	-	Thermocouple - see page 10A-22
20-74	17			17					-	-	-	-	Thermocouple - see page 10A-22
20-76	17			17					-	-	-	-	Thermocouple - see page 10A-22
20-80	14			14					-	-	-	-	Thermocouple - see page 10A-22
20-81	14			14					-	-	-	-	Thermocouple - see page 10A-22

† = Military designation per MIL-STD-1651.  
 ‡ = Military designation inactive for new design.  
 \* = VG95234

continued on next page

# MIL-DTL-5015

## INSERT CONFIGURATIONS BY SHELL SIZE

INSERT NUMBER	CONTACTS							ALTERNATE POSITIONS (Degrees)				REMARKS	
	TOTAL	SIZE						W	X	Y	Z		
		#20	#18	#16	#12	#8	#4						#0
20-82	17			17					-	-	-	-	Thermocouple - see page 10A-22
20-83	14			14					-	-	-	-	Thermocouple - see page 10A-22
20-85	11			11					-	-	-	-	Thermocouple - see page 10A-22
20-87	17			17					-	-	-	-	Thermocouple - see page 10A-22
20-88	14			14					-	-	-	-	Thermocouple - see page 10A-22
20-89	14			14					-	-	-	-	Thermocouple - see page 10A-22
20-90	14			14					-	-	-	-	Thermocouple - see page 10A-22
20-91	14			14					-	-	-	-	Thermocouple - see page 10A-22
20-92	8			8					-	-	-	-	Thermocouple - see page 10A-22
20-93	14			14					-	-	-	-	Thermocouple - see page 10A-22
20-94	7				7				-	-	-	-	Thermocouple - see page 10A-22
20-99	11			11					-	-	-	-	Thermocouple - see page 10A-22
20-408	8			8					-	-	-	-	Thermocouple - see page 10A-22
20-409	8			8					-	-	-	-	Thermocouple - see page 10A-22
20-410	4				4				-	-	-	-	Thermocouple - see page 10A-22
20-412	14			14					-	-	-	-	Thermocouple - see page 10A-22
20-413	14			14					-	-	-	-	Thermocouple - see page 10A-22
20-629	4			4					-	-	-	-	Same as 20-10
20-641	14			14					-	-	-	-	Thermocouple - see page 10A-22
20-854	2				2				-	-	-	-	
20-2006-37	4				4				-	-	-	-	Position #8 of 20-4
22-1*	2					2			35	110	250	325	
22-2†	3					3			70	145	215	290	
22-3*	2			1			1		80	110	250	280	
22-4*	4				2	2			35	110	250	325	
22-5*	6			4	2				35	110	250	325	
22-6*	3			1		2			80	110	250	280	
22-7†	1						1		-	-	-	-	
22-8*	2				2				35	110	250	325	
22-9†	3				3				70	145	215	290	
22-10†	4			4					35	110	250	325	
22A10	10			10					-	120	240	-	
22-11†	2			2					35	110	250	325	
22-12†*	5			3		2			80	110	250	280	
22-13*	5			1	4				35	110	250	325	
22-14†*	19			19					80	110	250	280	
22-15†	6			1	5				80	110	250	280	
22-16*	9			6	3				80	110	250	280	
22-17†	9			8	1				80	110	250	280	
22-18†	8			8					80	110	250	280	
22-19†	14			14					80	110	250	280	
22-20*	9			9					35	110	250	325	
22-21†	3			2			1		80	110	250	280	
22-22†*	4					4			-	110	250	-	
22B22*	4					4			-	110	250	-	
22-23†	8				8				35	-	250	-	
22-24*	6			4	2				80	110	250	280	

† = Military designation per MIL-STD-1651.  
 ‡ = Military designation inactive for new design.  
 \* = VG95234

continued on next page

## INSERT CONFIGURATIONS BY SHELL SIZE

INSERT NUMBER	CONTACTS								ALTERNATE POSITIONS (Degrees)				REMARKS
	TOTAL	SIZE							W	X	Y	Z	
		#20	#18	#16	#12	#8	#4	#0					
22-25*	3			2				1	80	110	250	280	
22-26*	7			5	2				-	-	-	-	
22-27†*	9			8		1			80	-	250	280	
22-28*	7				7				80	-	-	280	
22-29*	7			6				1	80	110	250	280	
22-30*	19			19					-	-	-	-	Position #12 of 22-14
22-31*	2			2					-	-	-	-	Position #12 of 22-11
22-32*	6			4	2				-	-	-	-	Position #2 of 22-5
22-33†	7			7					80	110	250	280	
22-34†	5			2	3				80	110	250	280	
22-35†	3					3			-	-	-	-	
22-36†	8				8				90	-	270	-	Thermocouple - see page 10A-22
22A37	37		37						80	112	250	280	
22-57	19			19					-	-	-	-	Thermocouple - see page 10A-22
22-60	19			19					-	-	-	-	Thermocouple - see page 10A-22
22-62	8				8				-	-	-	-	Thermocouple - see page 10A-22
22-63	12			8	4				-	-	-	-	
22-68	14			14					-	-	-	-	Thermocouple - see page 10A-22
22-69	14			14					-	-	-	-	Thermocouple - see page 10A-22
22-70	13			5	8				-	-	-	-	
22-71	19			19					-	-	-	-	Thermocouple - see page 10A-22
22-72	6			4	2				-	-	-	-	Thermocouple - see page 10A-22
22-73	6			4	2				-	-	-	-	Thermocouple - see page 10A-22
22-74	8				8				-	-	-	-	Thermocouple - see page 10A-22
22-75	8				8				-	-	-	-	Thermocouple - see page 10A-22
22-76	21			21					-	-	-	-	Thermocouple - see page 10A-22
22-77	14			14					-	-	-	-	Thermocouple - see page 10A-22
22-78	19			19					-	-	-	-	Thermocouple - see page 10A-22
22-79	4			4					-	-	-	-	Thermocouple - see page 10A-22
22-81	5			2	3				-	-	-	-	Thermocouple - see page 10A-23
22-82	19			19					-	-	-	-	Thermocouple - see page 10A-23
22-82	10			8		2			80	110	250	280	
22-83	8			8					-	-	-	-	Thermocouple - see page 10A-23
22-84	19			19					-	-	-	-	Thermocouple - see page 10A-23
22-89	7				7				-	-	-	-	Thermocouple - see page 10A-23
22-404	8				8				-	-	-	-	Thermocouple - see page 10A-23
22-405	8				8				-	-	-	-	Thermocouple - see page 10A-23
22-406	8				8				-	-	-	-	Thermocouple - see page 10A-23
22-407	8				8				-	-	-	-	Thermocouple - see page 10A-23
22-412	8				8				-	-	-	-	Thermocouple - see page 10A-23
22-414	8				8				-	-	-	-	Thermocouple - see page 10A-23
22-415	8				8				-	-	-	-	Thermocouple - see page 10A-23
22-416	8				8				-	-	-	-	Thermocouple - see page 10A-23
22-422	8			8					-	-	-	-	Thermocouple - see page 10A-23
22-431	14			14					-	-	-	-	Thermocouple - see page 10A-23
24-1†	2			1				1	80	110	250	280	
24A1	1							1	-	-	-	-	

† = Military designation per MIL-STD-1651.  
 ‡ = Military designation inactive for new design.  
 \* = VG95234

continued on next page

# MIL-DTL-5015

## INSERT CONFIGURATIONS BY SHELL SIZE

INSERT NUMBER	CONTACTS								ALTERNATE POSITIONS (Degrees)				REMARKS
	TOTAL	SIZE							W	X	Y	Z	
		#20	#18	#16	#12	#8	#4	#0					
24-2†	7				7				80	-	-	280	
24-3†	7			5	2				80	110	250	280	
24-4†	4			3				1	80	110	250	280	
24-5†	16			16					80	110	250	280	
24G5	5					5			70	110	240	270	
24-06	6			2		4			40	-	-	-	Use 24A6
24-6†	8				8				80	110	250	280	
24A6	6				4	2			40	-	-	-	
24-07	7				7				80	-	-	280	Use 24A7
24-7†	16			14	2				80	110	250	280	
24A7	7				7				80	-	-	280	
24-9†	2						2		35	110	250	325	
24-10†*	7					7			80	-	-	280	
24-11†*	9				6	3			35	110	250	325	
24-12†*	5				3		2		80	110	250	280	
24S12	12			10			2						
24-013	13			7	6				-	-	-	-	Use 24A13
24A13	13			7	6				-	-	-	-	
24-14†	3				2			1	80	110	250	280	
24S14	14			12			2		-	-	-	-	
24-15†	16			16					-	-	-	-	Position #12 of 24-5
24-16†	7			3	3	1			80	110	250	280	
24-17†	5			3	2				80	110	250	280	
24-18	4			4					-	-	-	-	Shorting type
24-19†	12			12					-	-	-	-	
24-20†	11			9	2				80	110	250	280	
24-21†	10			9		1			80	110	250	280	
24-22†	4					4			45	110	250	-	
24-23†	5			2		3			80	110	250	280	
24-24†	16			16					-	-	-	-	Position #13 of 24-5
24-25†	8				8				-	-	-	-	Position #12 of 24-6
24A25	25			25					80	110	250	280	
24-26†	8				8				-	-	-	-	Position #13 of 24-6
24-27†	7			7					80	-	-	280	
24-28†	24			24					80	110	250	280	
24A28	28			28					65	146	235	-	
24A35*	16				14	2			-	-	-	-	Position #12 of 24-7
24A40	16			14	2				-	-	-	-	
24-56	11			9	2				-	-	-	-	Thermocouple - see page 10A-23
24-57	24			24					-	-	-	-	Thermocouple - see page 10A-23
24-58	13			7	3	3			-	-	-	-	
24-59	14			7	7				-	-	-	-	
24-62	24			24					-	-	-	-	Thermocouple - see page 10A-23
24-63	24			24					-	-	-	-	Thermocouple - see page 10A-23
24-64	16			16					-	-	-	-	Thermocouple - see page 10A-23
24-65	15			4	11				-	-	-	-	
24-66	7				7				-	-	-	-	

† = Military designation per MIL-STD-1651.

‡ = Military designation inactive for new design.

\* = VG95234

continued on next page



## INSERT CONFIGURATIONS BY SHELL SIZE

INSERT NUMBER	CONTACTS								ALTERNATE POSITIONS (Degrees)				REMARKS
	TOTAL	SIZE							W	X	Y	Z	
		#20	#18	#16	#12	#8	#4	#0					
24-67	19				19				80	-	-	335	
24-68	24			24					-	-	-	-	Thermocouple - see page 10A-23
24-69	12			12					-	-	-	-	Thermocouple - see page 10A-23
24-70	24			24					-	-	-	-	Thermocouple - see page 10A-23
24-79	5					5			-	-	-	-	
24-80†	23			23					35	145	240	300	
24-81	16			14	2				-	-	-	-	Thermocouple - see page 10A-23
24-88	24			24					-	-	-	-	Thermocouple - see page 10A-23
24-91	16			16					-	-	-	-	Thermocouple - see page 10A-23
24-401	8				8				-	-	-	-	Thermocouple - see page 10A-23
24-402	8				8				-	-	-	-	Thermocouple - see page 10A-23
24-406	8				8				-	-	-	-	Thermocouple - see page 10A-23
24-409	12			12					-	-	-	-	Thermocouple - see page 10A-23
24-412	12			12					-	-	-	-	Thermocouple - see page 10A-23
24-414	24			24					-	-	-	-	Thermocouple - see page 10A-23
24-415	24			24					-	-	-	-	Thermocouple - see page 10A-23
24-417	16			16					-	-	-	-	Thermocouple - see page 10A-23
24-418	12			12					-	-	-	-	Thermocouple - see page 10A-23
24-422	24			24					-	-	-	-	Thermocouple - see page 10A-23
24-423	16			16					-	-	-	-	Thermocouple - see page 10A-23
24-430	24			24					-	-	-	-	Thermocouple - see page 10A-23
24-431	24			24					-	-	-	-	Thermocouple - see page 10A-23
24-621	24			24					-	-	-	-	Thermocouple - see page 10A-24
24-622	24			24					-	-	-	-	Thermocouple - see page 10A-24
24-2008-35	16			14	2				-	-	-	-	Position #12 of 24-7 Same as 24A35
28-1†	9				6	3			80	110	250	280	
28B1	1							1	-	-	-	-	
28-2†	14			12	2				35	110	250	325	
28-3†	3					3			70	145	215	290	
28-4†	9			7	2				80	110	250	280	
28-5†	5			2	1		2		35	110	250	325	
28-6‡	3						3		70	145	215	290	
28-7†	2						2		35	110	250	325	
28-8†	12			10	2				80	110	250	280	
28-09	9			5			4		110	250	260	280	Use 28A9
28-9†	12			6	6				80	110	250	280	
28A9	9			5			4		110	250	260	280	
28-10†	7				3	2	2		80	110	250	280	
28-11†*	22			18	4				80	110	250	280	
28-12†	26			26					90	180	270	-	
28-13‡	26			26					-	-	-	-	Position #12 of 28-12
28-14‡	11			11					80	110	250	280	
28-15†	35			35					80	110	250	280	
28-16‡	20			20					80	110	250	280	
28-17†	15			15					80	110	250	280	
28-18†	12			12					70	145	215	290	
28-19†	10			6	4				80	110	250	280	

† = Military designation per MIL-STD-1651.  
‡ = Military designation inactive for new design.  
\* = VG95234

continued on next page

10A

# MIL-DTL-5015

## INSERT CONFIGURATIONS BY SHELL SIZE

INSERT NUMBER	CONTACTS								ALTERNATE POSITIONS (Degrees)				REMARKS
	TOTAL	SIZE							W	X	Y	Z	
		#20	#18	#16	#12	#8	#4	#0					
28-20†*	14			4	10				80	110	250	280	
28-21†*	37			37					80	110	250	280	
28-22†	6			3			3		70	145	215	290	
28A29	29			27		2			80	110	250	280	
28A31	31		25			6			-	-	-	-	
28A35	35			35					80	110	250	280	
28-51	12				12				80	135	195	-	
28-53	22			18	4				-	-	-	-	Thermocouple - see page 10A-24
28A55	29			29					-	-	-	-	
28-58	14			4	10				-	-	-	-	Thermocouple - see page 10A-24
28-59	17			10	7				-	-	-	-	
28-61	37			37					-	-	-	-	Thermocouple - see page 10A-24
28-63	14			4	10				-	-	-	-	Thermocouple - see page 10A-24
28A63*	28			19	9				-	100	260	-	
28-64	35			35					-	-	-	-	Thermocouple - see page 10A-24
28-65	26			26					-	-	-	-	Thermocouple - see page 10A-24
28-67	20			20					-	-	-	-	Thermocouple - see page 10A-24
28-68	35			35					-	-	-	-	Thermocouple - see page 10A-24
28-69	22			18	4				-	-	-	-	Thermocouple - see page 10A-24
28-70	22			18	4				-	-	-	-	Thermocouple - see page 10A-24
28-72	72	72							72	144	216	288	
28-78	35			35					-	-	-	-	Thermocouple - see page 10A-24
28-79	16			9		7			80	110	250	280	
28-81	37			37					-	-	-	-	Thermocouple - see page 10A-24
28-84	9						9		-	-	-	-	
28-85	22				18	4			-	-	-	-	Thermocouple - see page 10A-24
28-91	12				6	6			-	-	-	-	Thermocouple - see page 10A-24
28-94	26				26				-	-	-	-	Thermocouple - see page 10A-24
28-98	37				37				-	-	-	-	Thermocouple - see page 10A-24
28-99	26				26				-	-	-	-	Thermocouple - see page 10A-24
28-124	16			12		4			80	110	250	280	
28-201	14			4	10				-	-	-	-	Thermocouple - see page 10A-24
28-413	26			26					-	-	-	-	Thermocouple - see page 10A-24
28-414	26			26					-	-	-	-	Thermocouple - see page 10A-24
28-420	20			20					-	-	-	-	Thermocouple - see page 10A-24
28-AC	20			20					-	-	-	-	Thermocouple - see page 10A-24
28-AD	37			37					-	-	-	-	Thermocouple - see page 10A-24
28-AE	37			37					-	-	-	-	Thermocouple - see page 10A-24
28-AF	12			12					-	-	-	-	Thermocouple - see page 10A-24
28-AG	26			26					-	-	-	-	Thermocouple - see page 10A-24
28-AK	37			37					-	-	-	-	Thermocouple - see page 10A-24
32-1†*	5				3			2	80	110	250	280	
32A1	1								-	-	-	-	1 Size 4/0 Contact
32-2†	5			2			3		70	145	215	290	
32-3†*	9			4	2		2	1	80	110	250	280	
32A3	3						3		22	44	75	-	
32-4†	14			12	2				80	110	250	280	
32-5†	2							2	35	110	250	325	

† = Military designation per MIL-STD-1651.  
 ‡ = Military designation inactive for new design.  
 \* = VG95234

continued on next page

## INSERT CONFIGURATIONS BY SHELL SIZE

INSERT NUMBER	CONTACTS								ALTERNATE POSITIONS (Degrees)				REMARKS
	TOTAL	SIZE							W	X	Y	Z	
		#20	#18	#16	#12	#8	#4	#0					
32-6†*	23			16	2	3	2		80	110	250	280	
32-7†*	35			28	7				80	125	235	280	
32-8‡	30			24	6				80	125	235	280	
32-9†	14			12			2		80	110	250	280	
32-10‡	7			3		2	2		80	110	250	280	
32-12‡	15			10	5				80	110	250	280	
32-013	13				13				65	130	230	295	Use 32A13
32-13†	23			18	5				80	110	250	280	
32A13	13				13				65	130	230	295	
32-14‡	7				5		2		35	110	250	325	
32-15†	8				6			2	35	110	250	280	
32-16*	23			16	2	3	2		-	-	-	-	Position #12 of 32-6
32-17*	4						4		45	110	250	-	
32-18*	14			12	2				-	-	-	-	Position #12 of 32-4
32-19*	5				3			2	-	-	-	-	Position #2 of 32-1
32S19	19				19				-	-	-	-	
32-20**	23			16	2	3	2		-	-	-	-	Position #2 of 32-6
32-22**	54			54					80	110	250	280	
32A22	22			20				2	55	135	230	295	
32B22	22			20			2		35	110	250	325	
32A25	25				25				60	120	-	-	
32A27	27			17	10				30	115	285	335	
32A29	23			16	2	3	2		-	-	-	-	Rotation of 32-6
32A30	30			20	10				-	-	-	-	
32-31	31			31					-	-	-	-	
32A40	40			40					35	130	-	-	
32A48	48			48					80	-	-	-	
32-50	30			24	6				-	-	-	-	Thermocouple - see page 10A-24
32-52	8				6			2	-	-	-	-	90 Deg Rotation of 32-15
32-53	42			37	5				-	-	-	-	Thermocouple - see page 10A-24
32-55	30			24	6				-	-	-	-	Thermocouple - see page 10A-24
32A55	55			55					80	110	250	280	
32-59	42			40		2			36	108	252	324	
32-63*	5						5		-	-	-	-	
32-64	54			54					-	-	-	-	
32-68	16			12			4		65	135	225	275	
32A69*	61	41		20					-	110	250	-	
32-73*	46			46					36	-	-	-	
32-76	19				19				80	110	250	280	
32-79	5					1	4		-	-	-	315	
32-88	54			54					-	-	-	-	
32-91	54			54					-	-	-	-	Thermocouple - see page 10A-24
32A401	40			40					-	-	-	-	
32-408	30			24	6				-	-	-	-	Thermocouple - see page 10A-25
32-689	9			6			3		-	-	-	-	
32-2010-29	23			16	2	3	2		-	-	-	-	Position #13 of 32-6
32-2010-30	5				3			2	-	-	-	-	Position #12 of 32-1

† = Military designation per MIL-STD-1651.  
 ‡ = Military designation inactive for new design.  
 \* = VG95234

continued on next page

# MIL-DTL-5015

## INSERT CONFIGURATIONS BY SHELL SIZE

INSERT NUMBER	CONTACTS							ALTERNATE POSITIONS (Degrees)				REMARKS	
	TOTAL	SIZE						W	X	Y	Z		
		#20	#18	#16	#12	#8	#4						#0
36-01	1							-	-	-	-	1 Size 4/0 Contact	
36A1	1							-	-	-	-	1 Size 4/0 Contact	
36-1*	22			18	4			80	110	250	280		
36-2*	5				2			3	-	-	-		
36-3*	6				3			3	70	145	215	290	
36-4*	3							3	70	145	215	290	
36-5**	4							4	-	120	240	-	
36-6**	6						4	2	35	110	250	325	
36-7*	47			40	7				80	110	250	280	
36-8*	47			46	1				80	110	250	280	
36-9*	31			14	14	2	1		80	125	235	280	
36-10**	48			48					80	125	235	280	
36-11*	48			48					-	-	-	-	Position #12 of 36-10
36-12*	48			48					-	-	-	-	Position #13 of 36-10
36-13*	17			15	2				80	110	250	280	
36-14*	16			6	5	5			90	180	270	-	
36-15f	35			35					60	125	245	305	
36-16*	47			40	7				-	-	-	-	Position #12 of 36-7
36-17*	47			40	7				-	-	-	-	Position #13 of 36-7
36-18*	31			14	14	2	1		-	-	-	-	Position #12 of 36-9
36-19*	17			10	5		1	1	80	110	250	280	
36-20*	34			30	2	2			-	-	-	-	
36-21*	31			14	14	2	1		-	-	-	-	Position #2 of 36-9
36-22	22				22				80	110	250	280	
36A22	22				22				-	-	-	-	
36-35	36			32		4			-	-	-	-	
36-51	4						2	2	-	-	-	-	
36A51	6				1		2	3	45	135	225	315	
36-52*	52			52					72	144	216	288	
36-53	47			40	7				-	-	-	-	Thermocouple - see page 10A-25
36-54	39			31		8			-	-	-	-	
36-56	48			48					-	-	-	-	Thermocouple - see page 10A-25
36-57	47			46	1				-	-	-	-	Thermocouple - see page 10A-25
36-58	35			35					-	-	-	-	Thermocouple - see page 10A-25
36-61	35			35					-	-	-	-	Thermocouple - see page 10A-25
36-62	48			48					-	-	-	-	Thermocouple - see page 10A-25
36-66*	56			52	4				110	250	260	280	
36-71	53			50	3				-	-	-	-	
36A72	72		52	16	4				-	110	-	-	
36-74	44			43		1			-	-	-	-	
36B78	14			2		12			-	-	-	-	
36D78	14			4		10			-	-	-	-	
36-82	52			52					-	-	-	-	Thermocouple - see page 10A-25
36-86	48			48					-	-	-	-	Thermocouple - see page 10A-25
36-88	52			52					-	-	-	-	Thermocouple - see page 10A-25
36-101	48			48					-	-	-	-	Thermocouple - see page 10A-25
36-102	48			48					-	-	-	-	Thermocouple - see page 10A-25

† = Military designation per MIL-STD-1651.  
 ‡ = Military designation inactive for new design.  
 \* = VG95234

continued on next page

## INSERT CONFIGURATIONS BY SHELL SIZE

INSERT NUMBER	CONTACTS								ALTERNATE POSITIONS (Degrees)				REMARKS
	TOTAL	SIZE							W	X	Y	Z	
		#20	#18	#16	#12	#8	#4	#0					
36-411	22			18	4				-	-	-	-	Thermocouple - see page 10A-25
36-412	22			18	4				-	-	-	-	Thermocouple - see page 10A-25
36-414	48			48					-	-	-	-	Thermocouple - see page 10A-25
36-416	48			48					-	-	-	-	Thermocouple - see page 10A-25
36-417	48			48					-	-	-	-	Thermocouple - see page 10A-25
40-1*	30			24	6				65	130	235	300	
40-2*	23			23					80	110	250	280	
40-3*	23			18	4		1		80	110	250	280	
40A3	5				2			3	70	145	215	290	
40-4*	23			16	2	3	2		80	110	250	280	
40A4	6				2			4	50	120	240	325	
40B4	4							4	45	110	-	-	
40-5*	15				6	4	2	3	80	110	250	280	
40A5	5				1		1	3	33	-	-	270	
40B5	5							5					
40-6*	26			24	1			1	80	110	250	280	
40A6	6				6				35	110	250	280	
40-7*	22			18	2			2	80	110	250	280	
40A8	8			4			4		35	110	250	325	
40-9*	47			24	22	1			65	125	225	310	
40-10*	29			16		9	4		65	125	225	310	
40A10	8			4			4		80	135	195	-	
40-11*	25			18	4	1	1	1	80	110	250	280	
40-12*	29			22	6			1	-	-	-	-	
40-13*	23			23					-	-	-	-	Position #12 of 40-2
40-14*	32			21	10			1	-	-	-	-	
40B19	19					19			35	105	255	325	
40A24	24				16	8			80	120	245	300	
40-26	26				19	7			80	110	250	280	
40A27	27				25		2		45	110	250	315	
40S27	60			60					-	-	-	-	
40-31	31				31				80	110	250	280	
40-35	35				35				70	130	230	290	
40B37	37				37				30	135	-	-	
40A38	38				38				37	74	285	322	
40-47	47			24	22	1			65	125	225	310	
40A51	31			16		15			-	-	-	-	
40-53	60			60					80	110	250	280	
40-56*	85			85					72	144	216	288	
40A56	85			85					72	144	216	288	
40N56	85			85					72	144	216	288	
40-57	4							4	-	-	-	-	
40-59	85			85					-	-	-	-	Thermocouple - see page 10A-25
40-60	6							6	80	110	250	280	
40-62	60			60					30	130	220	290	
40A62	62			60		2			80	130	230	280	
40-63	61			61					80	-	-	280	

† = Military designation per MIL-STD-1651.  
‡ = Military designation inactive for new design.  
\* = VG95234

continued on next page

# MIL-DTL-5015

## INSERT CONFIGURATIONS BY SHELL SIZE

INSERT NUMBER	CONTACTS							ALTERNATE POSITIONS (Degrees)				REMARKS	
	TOTAL	SIZE						W	X	Y	Z		
		#20	#18	#16	#12	#8	#4						#0
40A65	65			65					70	145	215	285	
40-67	11			1				10	-	-	-	-	
40-68	21						21		-	-	-	-	
40-70	61			61					-	-	-	-	
40A75	75			73		2			-	-	-	-	
40-77	60			60					-	-	-	-	Thermocouple - see page 10A-25
40-78	60			60					-	-	-	-	Thermocouple - see page 10A-25
40-80	11			1				10	-	-	-	-	
40-82	62			62					-	-	-	-	
40-87	7						7		-	-	-	-	
40-88	60			60					-	-	-	-	Thermocouple - see page 10A-25
40-150	150		150						-	-	-	-	
40A150	150		150						-	-	-	-	
40-951	51				26	25			-	-	-	-	
40-AA	85			85					-	-	-	-	Thermocouple - see page 10A-25
44-1†	42			36	6				65	125	225	310	
44-2‡	31			14	14	2	1		65	125	225	310	
44-3‡	31			24	3	2	2		65	125	225	310	
44-4†	41			31	8			2	65	125	225	310	
44-5‡	42			36	6				-	-	-	-	Position #12 of 44-1
44-6‡	42			36	6				-	-	-	-	Position #13 of 44-1
44-52†	104			104					72	135	225	288	
44-57	104			104					-	-	-	-	Thermocouple - see page 10A-25
44-59	104			104					-	-	-	-	Thermocouple - see page 10A-25
44-60	104			104					-	-	-	-	Thermocouple - see page 10A-25
44-62	104			104					-	-	-	-	Thermocouple - see page 10A-25
48-1†	15				6	4	2	3	65	125	225	310	
48-2†	47			46	1				65	125	225	310	
48-3†	25			18	1	3		3	65	125	225	310	
48-4†	68			47	16	3		2	65	125	225	310	
48-5‡	100			90	9	1			65	125	225	310	
48-52	61			56				5	-	-	-	-	
48-53	37				37				-	-	-	-	
48-55	78			68	2	2	6		-	-	-	-	
48-57	56			42		10		4	-	-	-	-	
48-62†	85			85					72	144	216	288	

† = Military designation per MIL-STD-1651.

‡ = Military designation inactive for new design.

\* = VG95234



# THERMOCOUPLE CONTACTS & INSERT ARRANGEMENTS BY SHELL SIZE

A thermocouple is essentially a pair of wires of dissimilar metals connected at both ends. When the two junctions are subjected to different temperatures, an electrical potential is set up between them, almost directly proportional to the temperature difference. A voltage measuring instrument in the circuit can thus measure temperature. Because thermocouple junctions can withstand higher temperatures than the connectors used in conjunction with them, care must be taken to isolate the connectors. While contacts can withstand temperatures shown in the following table, standard insert materials can withstand only 257°F continuous operation. However, special dielectrics and shell finishes can extend the usable connector range above 500°F.

THERMOCOUPLE LIMITS		
COMBINATION	CONDITIONS	TEMPERATURE RANGE
Copper-Constantan (Note 1)	Material has good resistance to corrosion with long life and stable calibration.	Thermocouple Junction: Below 500°F Connector Contacts: 400°F
Iron-Constantan (Note 1)	Material can be used in either oxidizing or reducing atmospheres. It is not recommended for low temperatures and in the presence of moisture due to the rusting of the iron.	Thermocouple Junction: 500°F to 1200°F Connector Contacts: *600°F
Chromel-Alumel (Note 1)	Material is good for high temperature work and is more stable than iron and constantan combinations.	Thermocouple Junction: High Temperature Connector Contacts: *400°F
* These contacts can withstand higher temperatures but have not been tested because the general line of connectors will not withstand such temperatures in continuous operation. (Note 1) - These are registered Trade names of the Hoskins Corporation.		

## THERMOCOUPLE MATERIALS

CONTACT DESIGNATION	MATERIAL	ASTM-E230 SPECIFICATIONS	Polarity	MAGNETISM
Alumel (Al) (Note 1)	94% Nickel; 2.5% Manganese; 2% Aluminum; 1% Silicone; ½% Iron	Type KN	Negative	Magnetic
Constantan (Co) (Note 1)	45% to 60% Copper; 40% to 55% Nickel; 0 to 1.4% Manganese; 0.1% Iron	Type JN	Negative	Non-Magnetic
Copper (Cu) (Note 1)	87.5 to 90% Copper; 1.8 to 2.2% Lead; .1% Iron; 5% Nickel; .5% normal impurities and balance zinc	Type T	Positive	Non-Magnetic
Iron (Ir) (Note 1)	84.4% Iron; 2% Carbon; 3% manganese; 6% Phosphorus; 2% Sulphur; 4% Silicone; 8.1% Copper; 9% Tin (Cadmium plated for corrosion resistance)	Type JP	Positive	Magnetic
Chromel P (Ch) (Note 1)	90% Nickel; 10% Chromium	Type KP	Positive	Non-Magnetic

(Note 1) - These are registered Trade names of the Hoskins Corporation.

## CONTACT COLOR CODING

CONTACT MATERIAL	COLOR
Alumel	Green
Chromel	White
Copper	-
Constantan	Yellow
Iron	Black

For solder thermocouple contacts, see page 9A-3.  
 For crimp thermocouple contacts, see pages 9A-4 thru 9A-7.

## THERMOCOUPLE CONTACTS & INSERT ARRANGEMENTS BY SHELL SIZE

THERMOCOUPLE INSERT	TOTAL CONTACTS	CONTACT SIZE		BASIC INSERT	ROTATION (Degrees)	CONTACT MATERIAL
		#16	#12			
10SL-51	2	2		10SL-4	45	A = Ir.; B = Con.
10SL-52	2	2		10SL-4	45	A = Cu.; B = Con.
10SL-53	2	2		10SL-4	45	A = Al.; B = Ch.
10SL-54	3	3		10SL-3	–	A = Ir.; B = Con.; C = Cu.
10SL-55	3	3		10SL-3	–	A = Al.; B = Ch.; C = Cu.
10SL-56	2	2		10SL-4	–	A = Al.; B = Ch.
10SL-57	2	2		10SL-4	–	A = Ch.; B = Con.
10SL-58	3	3		10SL-3	–	A = Ch.; B = Al.; C = Cu.
10SL-59	2	2		10SL-4	–	A = Ch.; B = Al.
10SL-60	2	2		10SL-4	–	A = Ir.; B = Con.
10SL-61	2	2		10SL-4	–	A = Cu.; B = Con.
10SL-62	3	3		10SL-3	–	A = Cu.; B = Al.; C = Ir.
10SL-63	3	3		10SL-3	–	A, C = Con.; B = Ch.
10SL-64	3	3		10SL-3	–	A, C = Ch.; B = Al.
10SL-401	2	2		10SL-4	–	A = Al.; B = Ch.
12S-6	2	2		12S-3	–	A = Con.; B = Ir.
12S-51	2	2		12S-3	315	A = Ch.; B = Al.
12S-54	2	2		12S-3	315	A = Ir.; B = Con.
12S-55	2	2		12S-3	45	A = Cu.; B = Con.
12S-56	2	2		12S-3	–	A = Al.; B = Ch.
12S-57	2	2		12S-3	60	A = Ch.; B = Al.
12S-58	2	2		12S-3	120	A = Ir.; B = Con.
12S-59	2	2		12S-3	–	A = Ir.; B = Con.
12S-60	2	2		12S-3	–	A = Cu.; B = Con.
12S-61	2	2		12S-3	–	A = Ch.; B = Con.
12S-62	2	2		12S-3	–	A = Ch.; B = Al.
12S-64	2	2		12S-3	315	A = Cu.; B = Con.
12S-65	2	2		12S-3	–	A = Con.; B = Ir.
12S-407	2	2		12S-3	–	A = Al.; B = Ch.
12S-409	2	2		12S-3	–	A = Cu.; B = Con.
14S-51	2	2		14S-9	90	A = Al.; B = Ch.
14S-52	4	4		14S-2	45	A, B = Cu.; C = Al.; D = Ch.
14S-53	2	2		14S-9	90	A = Ir.; B = Con.
14S-54	6	6		14S-6	45	A, C, E = Ir.; B, D, F = Con.
14S-55	4	4		14S-2	45	A, C = Ir.; B, D = Con.
14S-56	4	4		14S-2	45	A = Ir.; B = Con.; C, D = Cu.
14S-57	4	4		14S-2	45	A, C = Al.; B, D = Ch.
14S-58	3	3		14S-7	45	A = Al.; B = Ch.; C = Cu.
14S-59	6	6		14S-6	–	A = Al.; B = Ch.; C = Ir.; D = Con.; E, F = Cu
14S-59	2	2		14S-9	90	A = Cu.; B = Con.
14S-60	2	2		14S-9	–	A = Al.; B = Ch.
14S-61	6	6		14S-6	45	A = Al.; B = Ch.; C = Ir.; D = Con.; E, F = Cu.

continued on next page

THERMOCOUPLE CONTACTS & INSERT ARRANGEMENTS BY SHELL SIZE

THERMOCOUPLE INSERT	TOTAL CONTACTS	CONTACT SIZE		BASIC INSERT	ROTATION (Degrees)	CONTACT MATERIAL
		#16	#12			
14S-63	6	6		14S-6	-	A, C = Al.; B, D = Ch.; E = Ir.; F = Con.
14S-64	4	4		14S-2	-	A, C = Con.; B, D = Cu.
14S-65	6	6		14S-6	-	A, C, E = Cu.; B, D, F = Con.
14S-67	6	6		14S-6	-	A = Al.; B = Ch.; Bal = Cu.
14S-68	4	4		14S-2	45	A = Ch.; B = Con.; C, D = Cu.
14S-69	3	3		14S-7	-	A = Con.; B = Ch.; C = Cu.
14S-70	4	4		14S-2	-	A, D = Ch.; B, C = Al.
14S-70	4	4		14S-2	-	D = Al.; A = Ch.; Bal = Std.
14S-71	4	4		14S-2	-	A, B, D = Cu.; C = Con.
14S-72	2	2		14S-9	-	A = Con.; B = Cu.
14S-73	4	4		14S-2	-	A, B = Cu.; C = Al.; D = Ch.
14S-74	4	4		14S-2	-	A, B = Ch.; C, D = Al.
14S-75	4	4		14S-2	-	A, B = Cu.; C, D = Con.
14S-76	4	4		14S-2	-	A, C = Al.; B, D = Ch.
14S-79	5	5		14S-5	-	A, B, E = Cu.; C = Al.; D = Ch.
14S-79	5	5		14S-5	-	1 = Al.; 1 = Ch.; Bal = Std.
14S-81	2	2		14S-9	-	A = Al.; B = Cu.
14S-82	4	4		14S-2	-	A = Ir.; B = Con.; C = Ch.; D = Al.
14S-83	6	6		14S-6	-	A, C = Ir.; B, D = Con.; E, F = Cu.
14S-84	6	6		14S-6	-	A, B = Al.; Bal = Cu.
14S-85	3	3		14S-7	-	A = Ch.; B = Al.; C = Cu.
14S-86	6	6		14S-6	-	A, F = Ir.; B, E = Con.; C, D = Cu.
14S-87	6	6		14S-6	-	A, B, C, D = Ir.; E, F = Con.
14S-88	2	2		14S-9	90	A = Ch.; B = Con.
14S-89	3	3		14S-7	-	A = Ir.; B = Cu.; C = Con.
14S-90	6	6		14S-6	-	A = Al.; C = Ch.; Bal = Cu.
14S-91	4	4		14S-2	-	A = Al.; B = Ch.; Bal = Cu.
14S-93	6	6		14S-6	-	A, B, F = Al.; C, D, E = Ch.
14S-414	2	2		14S-9	-	A = Al.; B = Ch.
14S-415	6	6		14S-6	-	A, C, E = Cu.; B, D, F = Con.
14S-419	4	4		14S-2	-	A, B = Al.; C, D = Ch.
14S-421	6	6		14S-6	-	A, B, C = Ir.; D, E, F = Con.
14S-422	6	6		14S-6	-	A, B, C = Al.; D, E, F = Ch.
14S-423	6	6		14S-6	-	A = Ir.; B, C = Al.; D = Con.; E, F = Ch.
14S-424	6	6		14S-6	-	A = Ch.; B, C = Ir.; D = Al.; E, F = Con.
14S-433	4	4		14S-2	-	A, B = Std.; C = Al.; D = Ch.
14S-446	4	4		14S-2	-	A, B = Std.; C = Al.; D = Ch.
16-13	2		2	16-13	-	A = Ir.; B = Con.
16S-50	5	5		16S-8	-	1 = Con.; 1 = Ir.; 3 = Cu.
16S-51	7	7		16S-1	-	A, F = Al.; B = Ch.; Bal = Std.
16-52	2	2		16-11	90	A = Al.; B = Ch.
16S-52	2	2		16S-4	-	A = Ch.; B = Al.
16-53	4	2	2	16-9	70	A = Al.; C = Ch.; B, D = Cu.

continued on next page

## THERMOCOUPLE CONTACTS & INSERT ARRANGEMENTS BY SHELL SIZE

THERMOCOUPLE INSERT	TOTAL CONTACTS	CONTACT SIZE		BASIC INSERT	ROTATION (Degrees)	CONTACT MATERIAL
		#16	#12			
16S-54	7	7		16S-1	-	A = Al.; B = Ch.; Bal = Cu.
16-55	3		3	16-10	45	A = Al.; B = Ch.; C = Cu.
16-56	2		2	16-13	90	A = Con.; B = Cu.
16S-56	7	7		16S-1	-	A = Al.; D = Ch.; Bal = Cu.
16-57	3		3	16-10	-	A = Al.; B = Cu.; C = Ch.
16S-57	7	7		16S-1	-	A, B = Al.; C, D = Ch.; Bal = Cu.
16-58	3		3	16-10	-	A = Con.; B, C = Cu.
16S-58	7	7		16S-1	-	A, G = Al.; Bal = Ch.
16S-59	7	7		16S-1	-	A, C = Ir.; B, D = Con.; Bal = Cu.
16-60	2		2	16-13	-	A = Al.; B = Ch.
16S-60	7	7		16S-1	-	A = Ir.; B = Con.; Bal = Cu.
16S-61	7	7		16S-1	-	G = Al.; Bal = Ch.
16-62	2		2	16-11	-	A = Con.; B = Cu.
16-67	2		2	16-11	-	A = Al.; B = Ch.
16-68	4	2	2	16-9	-	A, B, C = Ch.; D = Al.
16-412	2		2	16-13	-	A = Al, B = Ch. Al coded green. Ch coded white.
16-414	2		2	16-13	-	A = Cu.; B = Con.
16S-417	2	2		16S-4	-	A = Al.; B = Ch.
16S-418	2	2		16S-4	-	A = Ir.; B = Con.
16S-419	2	2		16S-4	-	A = Cu.; B = Con.
16-848	2		2	16-13	-	A = Al.; B = Ch.
18-15	4		4	18-15	-	A, C = Ir.; B, D = Con.
18-41	4	4		18-4	-	A, C = Ir.; B, D = Con.
18-42	4	4		18-4	-	A, C = Al.; B, D = Ch.
18-43	4	4		18-4	-	A, C = Ch.; B, D = Con.
18-44	3	3		18-22	-	1 = Al.; 1 = Ch.; 1 = Std.
18-45	5	5		18-20	-	A = Ir.; B = Con.; Bal = Std.
18-46	4	4		18-4	-	1 = Ch.; 1 = Al.; 2 = Std.
18-51	6	6		18-12	-	A = Ir.; B, E = Con.; D = Cu.; C, F = Dummy.
18-51	6	6		18-12	-	A = Ir.; B, E = Con.; D = Cu.; C, F = Std.
18-52	5		5	18-11	-	A = Ir.; B = Con.; C = Ch.; D = Al.; E = Dummy.
18-52	5		5	18-11	-	A = Ir.; B = Con.; D = Al.; E = Std.
18-53	6	6		18-12	-	A, D = Ir.; B, E = Con.; C, F = Dummy
18-53	6	6		18-12	-	A, D = Ir.; E = Con.; C, F = Std.
18-54	4		4	18-15	-	A, C = Al.; B, D = Ch.
18-56	10	10		18-1	-	A, C, E, G, I = Ir.; B, D, F, H, J = Con.
18-57	6	6		18-12	-	A, C, E = Al.; B, D, F = Ch.
18-59	6	6		18-12	-	A, C = Ir.; B, E, F = Con.; D = Cu.
18-60	5		5	18-11	45	A, D = Al.; B, C = Ch.; E = Cu.
18-61	6	6		18-12	-	A, C = Ir.; B, D = Con.; E = Ch.; F = Al.
18-62	6	6		18-12	-	A, B, C = Ir.; D, E, F = Con.
18-63	4		4	18-15	-	A, C = Con.; B, D = Cu.

continued on next page



THERMOCOUPLE CONTACTS & INSERT ARRANGEMENTS BY SHELL SIZE

THERMOCOUPLE INSERT	TOTAL CONTACTS	CONTACT SIZE		BASIC INSERT	ROTATION (Degrees)	CONTACT MATERIAL
		#16	#12			
18-65	6	6		18-12	-	A = Ir.; B = Con.; Bal = Cu.
18-66	10	10		18-1	-	A, C, E, G, I = Cu.; B, D, F, H, J = Con.
18-67	6	6		18-12	-	A, C, E = Cu.; B, D, F = Con.
18-68	5		5	18-11	-	A, D = Al.; B, C = Ch.; E = Cu.
18-69	10	10		18-1	-	A = Al.; B = Ch.; Bal = Cu.
18-70	5		5	18-11	-	A = Ir.; B = Con.; C = Ch.; D = Al.;
18-72	4		4	18-15	-	2 = Al.; 2 = Ch.; 2 = Std.
18-73	7	5	2	18-9	-	D = Con.; Bal = Cu.
18-74	6	6		18-12	-	A = Al.; D = Ch.; Bal = Cu.
18-75	10			18-1	-	A = Ch.; B = Al.; D = Ir.; E = Cu.; C, F = Con.
18-76	10			18-1	-	2 = Al.; 2 = Ch.; Bal = Std.
18-77	10			18-1	-	A, C, E, G, I = Al.; B, D, F, H, J = Ch.
18-78	10			18-1	-	A, C, E, G = Al.; B, D, F, H = Ch.; Bal = Cu.
18-79	6	6		18-12	-	A = Al.; B = Ch.; D, F, H, J = Con. Bal = Cu.
18-80	4		4	18-15	-	A, F = Ir.; B, E = Con.; C, D = Cu.
18-81	10	10		18-1	-	A, C = Cu.; B, D = Con. E, G = Con.; Bal = Cu.
18-82	10	10		18-1	-	E, G = Con.; F, H = Ir.; Bal = Cu.
18-401	4		4	18-10	-	A, B = Al.; C, D = Ch.
18-402	4		4	18-10	-	A, B = Ir.; C, D = Con.
18-403	4		4	18-15	-	A, C = Al.; B, D = Ch.
18-404	2		2	18-3	-	A = Con.; B = Ir.
18-405	2		2	18-3	-	A = Al.; B = Ch.
18-411	4		4	18-10	-	A = Con.; B, C, D = Cu.
18-422	2		2	18-3	-	A = Cu.; B = Con.
18-423	8	7	1	18-8	-	A, B, C, H = Ch.; D, E, F, G = Al.
18-426	10	10		18-1	-	A, B, C, D, J = Ir.; E, F, G, H, I = Con.
18-434	10	10		18-1	-	All Alumel
18-435	10	10		18-1	-	All Chromel
18-439	10	10		18-1	-	A, B, G, H, I = Al.; C, D, E, F, J = Ch.
18-443	6	6		18-12	-	A, C, E = Ir.; B, D, F = Con.
18-451	6	6		18-12	-	A, C, E = Cu.; B, D, F = Con.
18-452	4		4	18-15	-	A = Con.; B = Cu.; C, D = Std.
20-50	17	17		20-29	-	7 = Al.; 7 = Ch.; 3 = Std.
20-52	4		4	20-4	315	A = Ir.; B = Con.; C = Ch.; D = Al.
20-56	8	8		20-7	45	A, B, G, H = Ir.; C, D, E, F = Con.
20-60	8	8		20-7	45	D = Ch.; E = Al.; Bal = Cu.
20-61	17	17		20-29	45	A, B, M = Cu.; Bal = Con.
20-62	7		7	20-15	80	A, C, E = Al.; B, D, F = Ch.; G = Cu.
20-64	14	14		20-27	-	A = Al.; C = Ch.; Bal = Cu.
20-65	14	14		20-27	-	A, B, C, D, E, F, G = Ir.; H, I, K, L, M, N = Con.
20-67	9	7	2	20-16	-	H = Al.; I = Ch.; Bal = Cu.
20-68	8	8		20-7	-	A, B, G, H = Con.; C, D, E, F = Cu.
20-69	14	14		20-27	-	A, B, C, D, E, F, G = Cu.; H, I, J, K, L, M, N = Con.

continued on next page

10A

**THERMOCOUPLE CONTACTS & INSERT ARRANGEMENTS BY SHELL SIZE**

THERMOCOUPLE INSERT	TOTAL CONTACTS	CONTACT SIZE		BASIC INSERT	ROTATION (Degrees)	CONTACT MATERIAL
		#16	#12			
20-70	17	17		20-29	-	A, C, E, G, J, L, N, R, T = Ir.; B, D, F, H, K, M, P, S = Con.
20-71	17	17		20-29	-	S = Al.; R = Ch.; Bal = Cu.
20-74	17	17		20-29	-	A, C, E, G, J, L, N, R = Ir.; B, D, F, H, K, M, P, S = Con.; T = Cu.
20-76	17	17		20-29	-	8 = Ch.; 8 = Al.; 1 = Cu.
20-80	14	14		20-27	-	A, C, E, G, I, K, M = Cu.; B, D, F, H, J, L, N = Con.
20-81	14	14		20-27	-	A, C, E, G, I, K, M = Ch.; B, D, F, H, J, L, N = Al.
20-82	17	17		20-29	-	A, C, E, G, J, L, N, R = Al.; B, D, F, H, K, M, P, S = Ch.; T = Cu.
20-83	14	14		20-27	-	A, B = Ch.; C, D = Al.; Bal = Std.
20-85	11	11		20-33	-	A, L = Al.; Bal = Ch.
20-87	17	17		20-29	-	A, C, E, G, J, L, N, R = Con.; Bal = Cu.
20-88	14	14		20-27	-	A, C, E = Al.; B, D, F = Ch.; G, H, K, N = Con.; Bal = Cu.
20-89	14	14		20-27	-	B, D, F, H, J, L = Al.; A, C, E, G, I, K = Ch.; M, N = Cu.
20-90	14	14		20-27	-	C, G, I = Ch.; K, L, M = Al.; Bal = Cu.
20-91	14	14		20-27	-	I = Ch.; K = Al.; Bal = Cu.
20-92	8	8		20-7	-	A = Al.; H = Cu.; Bal = Ch.
20-93	14	14		20-27	-	A = Ch.; B = Al.; Bal = Cu.
20-94	7		7	20-15	-	A, C, E = Al.; B, D, F = Ch.; G = Cu.
20-99	11	11		20-33	-	A = Al.; Bal = Ch.
20-408	8	8		20-7	-	A, C, E, G = Ch.; B, D, F, H = Al.
20-409	8	8		20-7	-	A, C, E, G = Cu.; B, D, F, H = Con.
20-410	4		4	20-4	-	A, C = Cu.; B, D = Con.
20-412	14	14		20-27	-	A, B, C, D, E, F, G = Al. H, I, J, K, L, M, N = Ch.
20-413	14	14		20-27	-	A, B, C, D, E, F, G = Ir.; H, I, J, K, L, M, N = Con.
20-641	14	14		20-27	-	A, B, C, D, E, F, G = Al.; H, I, J, K, L, M, N = Ch.; 7 = Al.; 7 = Ch.
22-36	8		8	22-36	-	B, D, F, H = Con.; A, C, E, G = Ir.
22-57	19	19		22-14	45	A, C, E, G, J, L, N, R = Ir.; B, D, F, H, K, M, S, P, = Con.; T, U, V = Cu.
22-60	19	19		22-14	45	U = Al.; N = Ch.; Bal = Cu.
22-62	8		8	22-23	300	A, B, F, G = Al.; C, D, E, H = Ch.
22-68	14	14		22-19	45	A, C, E, G, J, L, M = Ir.; B, D, F, H, K, P, N = Con.
22-69	14	14		22-19	45	A, C, E, G, J, L, M = Cu.; B, D, F, H, K, P, N = Con.
22-71	19	19		22-14	-	V = Al.; U = Ch.; Bal = Cu.
22-72	6	4	2	22-5	-	B = Al.; E = Ch.; Bal = Cu.
22-73	6	4	2	22-5	-	E = Al.; B = Ch.; Bal = Cu.
22-74	8		8	22-23	-	A, C, E, G = Ir.; B, D, F, H = Con.
22-75	8		8	22-23	-	A = Al.; B, D, G, H = Cu.; C = Ch.; E = Ir.; F = Con.
22-76	21		21		-	W = Con.; Bal = Cu.
22-77	14	14		22-19	-	B, D, F, H, J, K, M, P = Cu.; A, E, L = Ir.; C, G, N = Con.
22-78	19	19		22-14	-	A, C, E, G, H, K, M, P, R, T = Con.; Bal = Cu.
22-79	4	4		22-10	-	A, C = Con.; B, D = Cu.

continued on next page



THERMOCOUPLE CONTACTS & INSERT ARRANGEMENTS BY SHELL SIZE

THERMOCOUPLE INSERT	TOTAL CONTACTS	CONTACT SIZE		BASIC INSERT	ROTATION (Degrees)	CONTACT MATERIAL
		#16	#12			
22-81	5	2	3	22-34	-	E = Ir.; D = Con.; Bal = Std.
22-82	19	19		22-14	-	A, C, E, G, J, L, N, R, T = Ir.; B, D, F, H, K, M, P, S, U = Con.; V = Cu.
22-83	8	8		22-18	-	A, C, E, G = Al.; B, D, F, H = Ch.
22-84	19	19		22-14	-	A, C, S = Ch.; B, D, T = Al.; Bal = Cu.
22-89	7		7	22-28	-	A, C, E = Ir.; B, D, F = Con.; G = Cu.
22-404	8		8	22-23	-	A, B, F, G = Ir.; C, D, E, H = Con.
22-405	8		8	22-23	-	A, B, F, G = Cu.; C, D, E, H = Con.
22-406	8		8	22-23	-	A, B, F, G = Al.; C, D, E, H = Ch.
22-407	8		8	22-23	-	A, B, C = Ir.; D, E, F = Con.; G = Ch.; H = Al.
22-412	8		8	22-36	-	A, C, E, G = Al.; B, D, F, H = Ch.
22-414	8		8	22-23	-	All Alumel
22-415	8		8	22-23	-	All Chromel
22-416	8		8	22-36	-	A, C, E, G = Cu.; B, D, F, H = Con.
22-422	8	8		22-18	-	A, B, C, D = Al.; E, F, G, H = Ch.
22-431	14	14		22-19	-	A, C, E, J, P, M = Ch.; B, D, F, H, L, N = Al.
24-56	11	9	2	24-20	45	E = Al.; F = Ch.; Bal = Cu.
24-57	24	24		24-28	45	A, C, J, V, Y, W, K, E, H, U, S, M = Ch.; Bal = Al.
24-62	24	24		24-28	-	A, C, E, G = Ir.; B, D, F, H = Con.; R, T, = Ch.; S, U = Al.; Bal = Cu.
24-63	24	24		24-28	-	A, C, E, G, J, L, K, N, S, U, W, Y = Cu.; B, D, F, H, Q, R, M, P, T, V, X, Z = Con.
24-64	16	16		24-5	-	A, B, C, D, E, F, G, H = Ir.; J, K, L, M, N, P, R, S = Con.
24-68	24	24		24-28	-	D = Con.; Bal = Cu.
24-69	12	12		24-19	-	5 = Con.; 7 = Std.
24-70	24	24		24-28	-	8 = Ch.; 8 = Al.; 8 = Ph. Bz.
24-81	16	14	2	24-7	-	A, C, E, G, I, K, M, N, P = Cu.; B, D, F, H, J, L, O = Con.
24-88	24	24		24-28	-	A, B, C, D, E, F, G, H, J, K, L, M = Con.; Bal = Ir.
24-91	16	16		24-5	-	A, B, C, D, E, F, G, H = Al.; J, K, L, M, N, P, R, S = Ch.
24-401	8		8	24-6	-	A, B, F, G = Ir.; C, D, E, H = Con.
24-402	8		8	24-6	-	A, B, F, G = Al.; C, D, E, H = Ch.
24-406	8		8	24-6	-	A, B, F, G = Cu.; C, D, E, H = Con.
24-409	12	12		24-19	-	A, B, C, D, E, F = Ir.; H, J, K, L, M, N = Con.
24-412	12	12		24-19	-	A, B, C, D, E, F = Cu.; H, J, K, L, M, N = Con.
24-414	24	24		24-28	-	A, B, C, D, E, F, G, H, J, K, L, M = Al.; N, P, Q, R, S, T, U, V, W, X, Y, Z = Ch.
24-415	24	24		24-28	-	A, B, C, D, E, F, G, H, J, K, L, M = Con.; N, P, Q, R, S, T, U, V, W, X, Y, Z = Ir.
24-417	16	16		24-5	-	A, B, C, D, E, F, G, H = Al.; J, K, L, M, N, P, R, S = Ch.
24-418	12	12		24-19	-	A, B, C, D, E, F = Al.; H, J, K, L, M, N = Ch.
24-422	24	24		24-28	-	A, C, E, G, J, L, N, Q, S, V, W, Y = Cu.; B, D, F, H, K, M, R, T, U, X, Z = Con.
24-423	16	16		24-5	-	A, B, C, D, E, F, G, H = Ir.; J, K, L, M, N, P, R, S = Con.
24-430	24	24		24-28	-	All Chromel
24-431	24	24		24-28	-	All Alumel

continued on next page

**10A**

**THERMOCOUPLE CONTACTS & INSERT ARRANGEMENTS BY SHELL SIZE**

THERMOCOUPLE INSERT	TOTAL CONTACTS	CONTACT SIZE		BASIC INSERT	ROTATION (Degrees)	CONTACT MATERIAL
		#16	#12			
24-621	24	24		24-28	-	A, C, E, G, J, L, K, N, S, U, W, Y = Ir.; B, D, F, H, M, P, Q, R, T, U, X, Z = Con.
24-622	24	24		24-28	-	A, C, E, G, J, L, K, N, S, U, W, Y = Ch.; B, D, F, H, Q, R, M, P, T, V, X, Z = Al.
28-53	22	18	4	28-11	45	J, L = Al.; K, M = Ch.
28-58	14	4	10	28-20	45	A, C, E, G, K, M = Al.; B, D, F, H, L, N = Ch.; J, P = Cu.
28-61	37	37		28-21	45	A, C, J, Z, m, r, n, a, K, F, H, X, k, h, T, M, N, d = Ir.; Bal = Con.
28-63	14	4	10	28-20	315	A, C, E, G, J = Al.; B, D, F, H, P = Ch.; Bal = Cu.
28-64	35	35		28-15	-	A, d = Al.; B, j = Ch.; C, D, E, F, G, N, P, R, S, H, J, K, L, N, W, X, Y, Z = Con.; Bal = Cu.
28-65	26	26		28-12	-	A, C, E, G, J, L, N, R, T, V = Ir.; X, Z = Al.; B, D, F, H, K, M, P, S, U, W = Con.; Y, a = Ch.; b, d = Cu.
28-67	20	20		28-16	-	U = Con.; Bal = Cu.
28-68	35	35		28-15	45	T = Al.; U = Ch.; Bal = Cu.
28-69	22	18	4	28-11	-	G = Al.; R = Ch.; Bal = Cu.
28-70	22	18	4	28-11	-	A = Al.; B = Ch.; Bal = Cu.
28-78	35	35		28-15	-	A, B = Ch.; C, D = Al.; Bal = Std.
28-81	37	37		28-21	-	A, D, S, Z, n, s = Ir.; B, J, K, f, g, r = Con.; G, L, P, b, e, j = Al.; F, H, T, X, h, k = Ch.; Bal = Cu.
28-85	22	18	4	28-11	45	K, M = Al.; J, L = Ch.; Bal = Cu.
28-91	12	6	6	28-9	-	M = Ir.; L = Con.; Bal = Cu.
28-94	26	26		28-12	-	B, D, F, H, K, M, P, S, U, W, Y, a, d = Al.; Bal = Ch.
28-98	37	37		28-21	-	M = Al.; F = Ch.; Bal = Cu.
28-99	26	26		28-12	-	B, D, F, H, K, M, P, S, U, W, Y, a = Con.; Bal = Cu.
28-201	14	4	10	28-20	-	A, C, E, G, J, P = Con.; Bal = Std.
28-413	26	26		28-12	-	A., B, C, D, M, N, P, R, S, T, U, Z, a = Ir.; E, F, G, H, J, K, L, V, W, X, Y, b, d = Con.
28-414	26	26		28-12	-	A, B, C, D, M, N, P, R, S, T, U, Z, a = Cu.; E, F, G, H, J, K, L, V, W, X, Y, b, d = Con.
28-420	20	20		28-16	45	A, B, C, J, K, L, M, S, T, V = Con.; D, E, F, G, H, N, P, Q, R, U = Ir.
28-AC	20	20		28-16	-	A, C, E, G, J, L = Ir.; B, D, F, N, K, M = Con.; Bal = Cu.
28-AD	37	37		28-21	-	A, C, F, H, J, K, M, N, T, X, Z, a, d, h, k, m, n, r = Cu.; Bal = Con.
28-AE	37	37		28-21	-	A, C, E, G, J, L, N, R, T, V, X, a, c, e, g, j, m, p, s = Cu.; Bal = Con.
28-AF	12	12		28-18		A, C, E, G, J, L = Ch.; Bal = Al.
28-AG	26	26		28-12	-	A, C, E, G, J, L, N, R = Al.; B, D, F, H, K, M, P, S = Ch.; Bal = Cu.
28-AK	37	37		28-21	-	A, B, C, D, J, K, L, M, N, P, X, a, b, c, m, p = Ch.; n = Cu.; Bal = Al.
32-50	30	24	6	32-8	-	M = Ch.; N = Al.; Bal = Cu.
32-51	30	24	6	32-8	90	M = Ch.; N = Al.; Bal = Cu.
32-55	30	24	6	32-8	125	M, N = Ch.; O, P = Al.; Bal = Cu.
32-91	54	54		32-64	-	A, C, E, G, J, L, N, P, S, U, W, Y, a, c, e, g, j, m = Ir.; B, D, F, H, K, M, O, R, T, V, X, Z, b, d, f, h, k, n = Con.; Bal = Cu.

continued on next page



THERMOCOUPLE CONTACTS & INSERT ARRANGEMENTS BY SHELL SIZE

THERMOCOUPLE INSERT	TOTAL CONTACTS	CONTACT SIZE		BASIC INSERT	ROTATION (Degrees)	CONTACT MATERIAL
		#16	#12			
32-408	30	24	6	32-8	-	A, B, C, D, E, F, G, H, I, J, K, L, M, N, O = Ir.; P, R, S, T, U, V, W, X, Y, Z, a, b, c, d, e = Con.
36-53	47	40	7	36-7	45	U, V, W = Al.; X, Y, Z = Ch.; Bal = Cu.
36-56	48	48		36-10	-	A, C, E, G, L, J, H, P, R, T, V, X, Z, b, d, f, h, k, q, n, m, u, w, y = Con.; Bal = Cu.
36-57	47	46	1	36-8	-	W = Al.; f = Ch.; Bal = Cu.
36-58	35	35		36-15	-	H = Al.; G = Ch.; Bal = Cu.
36-61	35	35		36-15	-	A, C, E, J, K, L, M, N, P, R, T, V, f, X, Y, h, j, c = Con.; Bal = Cu.
36-62	48	48		36-10	-	A, C, E = Al.; B, D, F = Ch.; Bal = Cu.
36-82	52	52		36-52	-	v, g = Ir.; p, y, c = Con.; x = Ch.; Bal = Cu.
36-86	48	48		36-10	-	A, C, E, G, J, L, N, P, R, T, V, X = Al.; B, D, F, H, K, M, O, Q, S, U, W, Y = Ch.; b, d, f, h, k, n, q, s, u, w, y = Con.; a, c, e, g, j, m, p, r, t, v, x, z = Cu.
36-88	52	52		88-52	-	A, C, E, H, K, M, P, S, U, W, Y, a, c, f, h, j, m, p, r, t, v, x, z, AB, AD, AF = Cu.; Bal = Con.
36-101	48	48		36-10	-	24 = Al.; 24 = Ch.
36-102	48	48		36-10	-	24 = Ch.; 24 = Con.
36-411	22	18	4	36-1	-	A, B, E, G, I, K, M, O, R, S, U = Ir.; C, D, F, H, P, L, N, P, T, V, W = Con.
36-412	22	18	4	36-1	-	A, B, E, G, I, K, M, O, R, S, U = Ch.; C, D, F, H, J, L, N, P, T, V, W = Al.
36-414	48	48		36-10	-	A, B, C, D, E, F, G, H, J, K, L, M, N, O, P, Q, R, S, T, U, V, W, X, Y = Ir.; Z, a, b, c, d, e, f, g, h, j, k, m, n, p, q, r, s, t, u, v, w, x, y, z = Con.
36-416	48	48		36-10	-	A, B, C, D, E, F, G, H, J, K, L, M, N, O, P, Q, R, S, T, U, V, W, X, Y = Cu.; Z, a, b, c, d, e, f, g, h, j, k, m, n, p, q, r, s, t, u, v, w, x, y, z = Con.
36-417	48	48		36-10	-	A, B, C, D, E, F, G, H, J, K, L, M, N, O, P, Q, R, S, T, U, V, W, X, Y = Ch.; Z, a, b, c, d, e, f, g, h, j, k, m, n, p, q, r, s, t, u, v, w, x, y, z = Con.
40-59	85	85		40-56	-	A, C, E, H, K, M, P, S, U, W, Y, a, c, f, h, j, m, p, r, t, v, x, z, AB, AD, AF, AJ, AL, AN, AP, AS, AU, AW, AY, BA, BA, BE, BH, BK, BM, BP, BS, BU = Ir.; Bal = Con.
40-77	60	60		40-53	-	B = Ch.; C = Con.; 55, 60 = Ir.; 57, 58, 59 = Con.; 56 = Ch.; Bal = Cu.
40-78	60	60		40-53	-	50, 51 = Ir.; 27, 28, 29, 31, 32, 34, 36, 37 = Con.; 25, 39, 40, 41 = Al.; 43, 44, 45, 46, 47, 48, 49, 52, 53, 54 = Ch.; Bal = Cu.
40-88	60	60		40-53	-	1, 3, 5, 7, 9, 11, 13, 15, 17, 19, 21, 23, 25, 27, 29, 31, 33, 35, 37, 39, 41, 43, 45, 47, 49, 51, 53, 55, 57, 59 = Con.; Bal = Cu.
40-AA	85	85		40-56	-	A,
44-57	104	104		44-52	-	A, C, E, G, J, L, etc. = Cu.; B, D, F, H, K, M, etc. = Con.
44-59	104	104		44-52	-	34 = Con.; 70 = Cu.
44-60	104	104		44-52	-	A, C, E, etc. = Ch. (52); B, D, F, etc. = Con. (52)
44-62	104	104		44-52	-	BY, BZ, CA, CB, CC, CD, CE, CR = Al.; CH, CJ, CK, CL, CM, CN, CP, CS = Ch.; Bal = Cu.

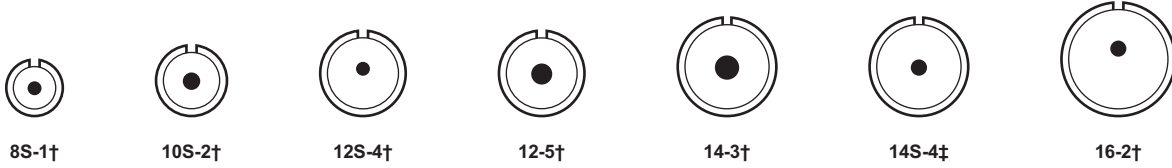
10A

# MIL-DTL-5015

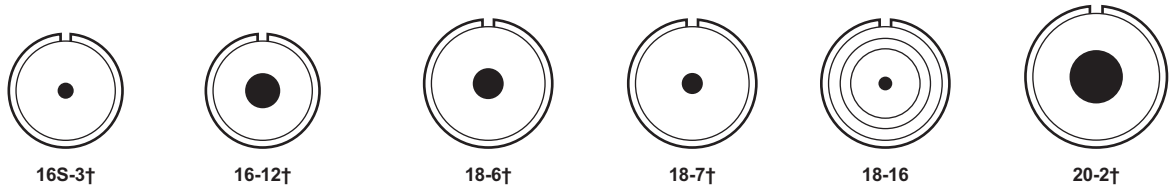
## INSERT CONFIGURATIONS BY NUMBER OF CONTACTS

FACE VIEW OF PIN INSERTS SHOWN APPROXIMATELY 3/4 ACTUAL SIZE

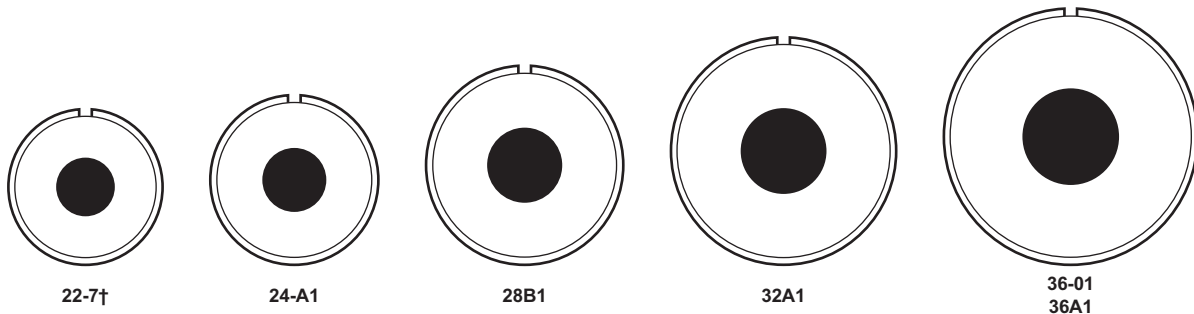
### 1 CONTACT



<b>CONTACTS</b>	1-#16	1-#16	1-#16	1-#12	1-#8	1-#16	1-#12
<b>RATING</b>	A	A	D	D	A	D For new MIL equip. design, use 12S-4	E

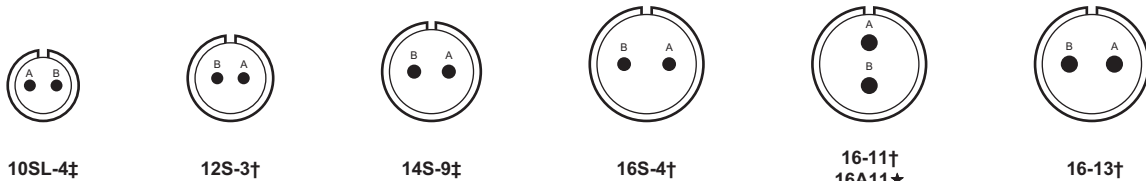


<b>CONTACTS</b>	1-#16	1-#4	1-#4	1-#8	1-#12	1-#0
<b>RATING</b>	B	A	D	B	HIGH VOLTAGE	D



<b>CONTACTS</b>	1-#0	1-#0	1-#0	1-4/0	1-#4/0
<b>RATING</b>	E	B	E	A	A

### 2 CONTACTS



<b>CONTACTS</b>	2-#16	2-#16	2-#16	2-#16	2-#12	2-#12 Thermocouple
<b>RATING</b>	A	A	A For new MIL equip. design, use 12S-3	D	A	A

† = Military designation per MIL-STD-1651.

‡ = Military designation inactive for new design.

★ = VG95234

## INSERT CONFIGURATIONS BY NUMBER OF CONTACTS

FACE VIEW OF PIN INSERTS SHOWN APPROXIMATELY 3/4 ACTUAL SIZE

### 2 CONTACTS (CONT.)

<b>18-3†</b>	<b>18-14†</b>	<b>20-5†</b>	<b>20-12†</b>	<b>20-23†</b>	
<b>CONTACTS</b>	2-#12	1-#4 (A) 1-#16 (B)	2-#16	1-#16 (A) 1-#4 (B)	2-#8
<b>RATING</b>	<b>D</b> For new MIL equip. design, use 18-5	<b>A</b>	<b>E</b>	<b>A</b> For new MIL equip. design, use 18-14	<b>A</b> For new MIL equip. design, use 20-22

<b>22-1†</b>	<b>22-3†</b>	<b>22-8†</b>	<b>22-11†</b>	<b>24-1†</b>	
<b>CONTACTS</b>	2-#8	1-#16 (A) 1-#4 (B)	2-#12	2-#16	1-#12 (A) 1-#0 (B)
<b>RATING</b>	<b>D</b> For new MIL equip. design, use 22-2	<b>D</b>	<b>E</b> For new MIL equip. design, use 22-9	<b>B</b>	<b>D</b>

<b>24-9†</b>	<b>28-7†</b>	<b>32-5†</b>	
<b>CONTACTS</b>	2-#4	2-#4	2-#0
<b>RATING</b>	<b>A</b> For new MIL equip. design, use 24-12	<b>D</b> For new MIL equip. design, use 28-5	<b>D</b> For new MIL equip. design, use 32-1

† = Military designation per MIL-STD-1651.

‡ = Military designation inactive for new design.

★ = VG95234

# MIL-DTL-5015

## INSERT CONFIGURATIONS BY NUMBER OF CONTACTS

FACE VIEW OF PIN INSERTS SHOWN APPROXIMATELY 3/4 ACTUAL SIZE

### 3 CONTACTS

<b>10SL-3†</b>	<b>14S-1†</b> <b>14S-7†</b>	<b>16S-5†</b>	<b>16S-6†</b>	<b>16-7†</b>	<b>16-10†</b>	<b>18-5†</b>
<b>CONTACTS</b>	3-#16	3-#16	3-#16	2-#16 (A, B) 1-#8 (C)	3-#12	1-#16 (A) 2-#12 (B, C)
<b>RATING</b>	A	A	A For new MIL equip. design, use 14S-7	A For new MIL equip. design, use 14S-7	A	D

<b>18-21†</b>	<b>18-22†</b>	<b>20-3†</b>	<b>20-6†</b>	<b>20-19†</b>	<b>20-26†</b>
<b>CONTACTS</b>	3-#12	3-#16	3-#12	3-#16	3-#8
<b>RATING</b>	A	D For new MIL equip. design, use 18-4	D For new MIL equip. design, use 20-4	D For new MIL equip. design, use 18-4	A For new MIL equip. design, use 20-22

<b>22-2†</b>	<b>22-6†</b>	<b>22-9†</b>	<b>22-21†</b>	<b>22-25†</b>	<b>22-35†</b>
<b>CONTACTS</b>	3-#8	1-#16 (B) 2-#8 (A, C)	3-#12	2-#16 (B, C) 1-#0 (A)	2-#16 (B, C) 1-#0 (A)
<b>RATING</b>	D	D For new MIL equip. design, use 22-12	E	A	A

<b>24-14†</b>	<b>28-3†</b>	<b>28-6†</b>	<b>32A3</b>	<b>36-4†</b>
<b>CONTACTS</b>	2-#12 (B, C) 1-#0 (A)	3-#8	3-#4	3-#4
<b>RATING</b>	A	E	D For new MIL equip. design, use 28-22	E
				D (A); A (balance) For new MIL equip. design, use 36-3

† = Military designation per MIL-STD-1651.

‡ = Military designation inactive for new design.

★ = VG95234

## INSERT CONFIGURATIONS BY NUMBER OF CONTACTS

FACE VIEW OF PIN INSERTS SHOWN APPROXIMATELY 3/4 ACTUAL SIZE

### 4 CONTACTS

<b>12SA10</b> <b>12S-2002-10</b>	<b>14S-2†</b>	<b>16-9†</b>	<b>18-4‡</b>	<b>18-10‡</b>	<b>18-13‡</b>
<b>CONTACTS</b> 4-#16	4-#16	2-#16 (B, D) 2-#12 (A, C)	4-#16	4-#12	3-#12 (B, C, D) 1-#8 (A)
<b>RATING</b> A	INST.	A	D	A <small>For new MIL equip. design, use 18-11</small>	A

<b>18-15†</b>	<b>20-4†</b>	<b>20-10†</b>	<b>20-13†</b>	<b>20-20‡</b>	<b>20-24‡</b>	<b>22-4‡</b>
<b>CONTACTS</b> 4-#12 Thermocouple	4-#12	4-#16	4-#16	3-#12 (B, C, D) 1-#4 (A)	2-#16 (A, C) 2-#8 (B, D)	2-#12 (A, C) 2-#8 (B, D)
<b>RATING</b> A	D	A	A	A	A	A <small>For new MIL equip. design, use 20-14</small>

<b>22-10†</b>	<b>22-22†</b> <b>22B22★</b>	<b>24-4†</b>	<b>24-22†</b>	<b>32-17†</b>
<b>CONTACTS</b> 4-#16	4-#8	3-#16 (B, C, D) 1-#0 (A)	4-#8	4-#4
<b>RATING</b> E	A	A	D	D

<b>36-5†</b>	<b>36-51</b>	<b>40B4</b>	<b>40-57</b>
<b>CONTACTS</b> 4-#0	2-#4 (C, D) 2-#0 (A, B)	4-#0	4-#0
<b>RATING</b> A	D	E	E

† = Military designation per MIL-STD-1651.

‡ = Military designation inactive for new design.

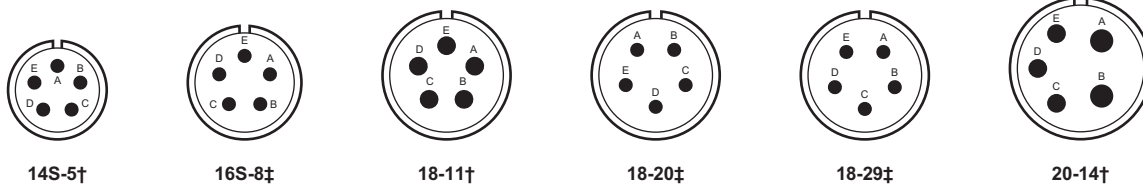
★ = VG95234

# MIL-DTL-5015

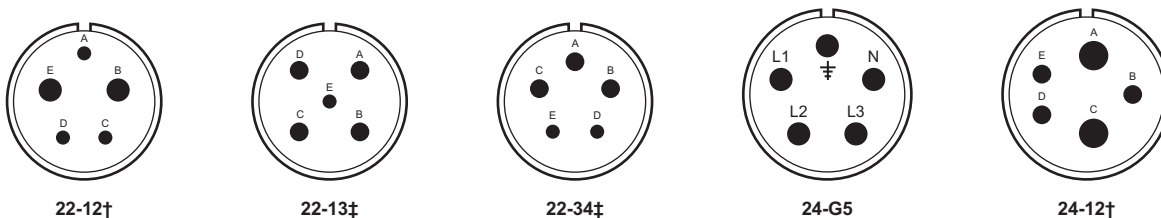
## INSERT CONFIGURATIONS BY NUMBER OF CONTACTS

FACE VIEW OF PIN INSERTS SHOWN APPROXIMATELY 3/4 ACTUAL SIZE

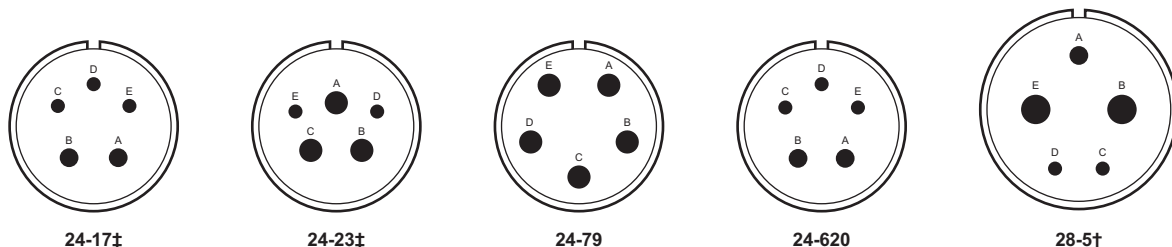
### 5 CONTACTS



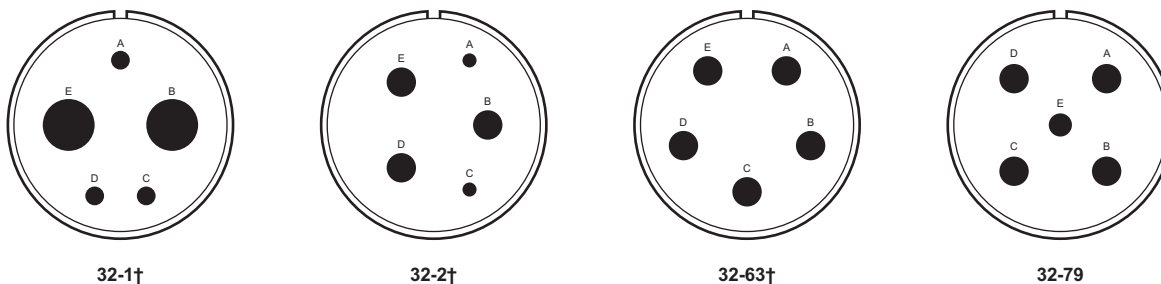
<b>CONTACTS</b>	5-#16	5-#16	5-#12	5-#16	5-#16	3-#12 (C, D, E) 2-#8 (A, B)
<b>RATING</b>	INST.	A	A	A For new MIL equip. design, use 16S-8	A	A



<b>CONTACTS</b>	3-#16 (A, C, D) 2-#8 (B, E)	1-#16 (E) 4-#12 (A-D)	2-#16 (D, E) 3-#12 (A, B, C)	5-#8 Top pin is grounded	3-#12 (B, D, E) 2-#4 (A, C)
<b>RATING</b>	D	A (A, D); D (E) For new MIL equip. design, use 22-15	D	A	A



<b>CONTACTS</b>	3-#16 (C, D, E) 2-#12 (A, B)	2-#16 (D, E) 3-#8 (A, B, C)	5-#8	3-#16 (C, D, E) 2-#12 (A, B)	2-#16 (C, D) 1-#12 (A) 2-#4 (B, E)
<b>RATING</b>	D For new MIL equip. design, use 22-5	D	A		D



<b>CONTACTS</b>	3-#12 (A, C, D) 2-#1/0 (B, E)	2-#16 (A, C) 3-#4 (B, D, E)	5-#4	1-#8 (E) 4-#4 (A-D)
<b>RATING</b>	E (A); D (balance)	E	D	D

† = Military designation per MIL-STD-1651.

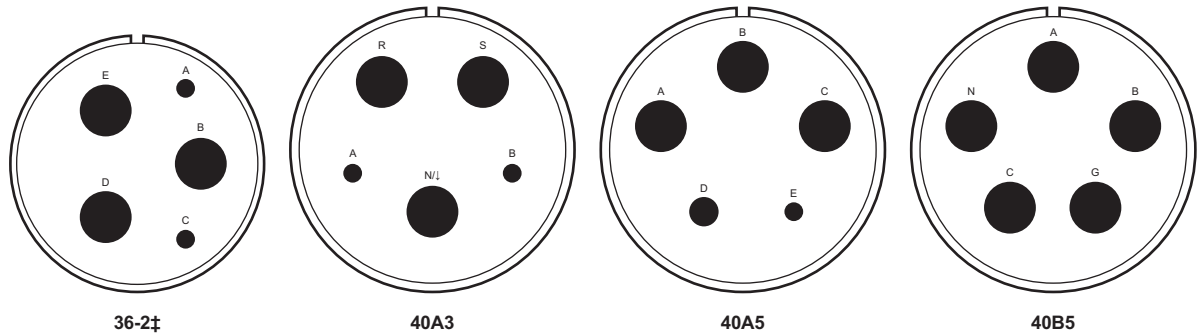
‡ = Military designation inactive for new design.

★ = VG95234

## INSERT CONFIGURATIONS BY NUMBER OF CONTACTS

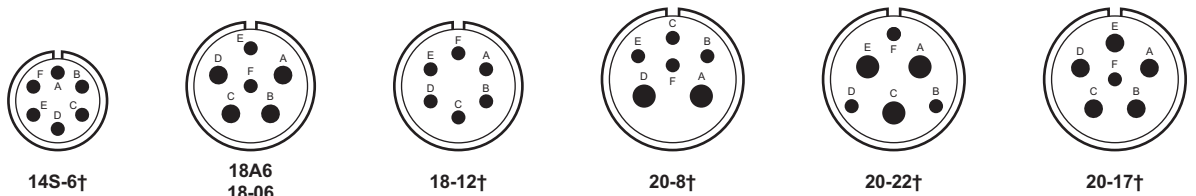
FACE VIEW OF PIN INSERTS SHOWN APPROXIMATELY 3/4 ACTUAL SIZE

### 5 CONTACTS (CONT.)

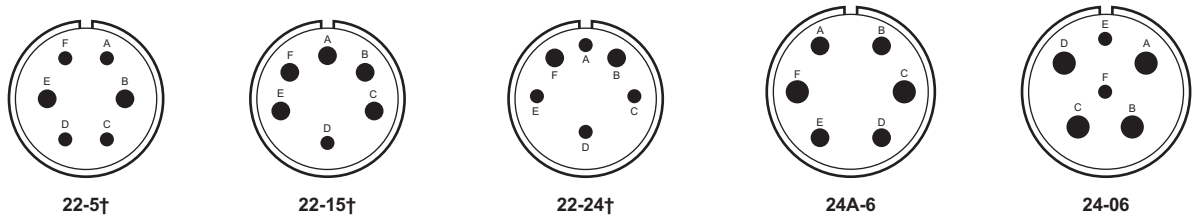


	<b>36-2†</b>	<b>40A3</b>	<b>40A5</b>	<b>40B5</b>
<b>CONTACTS</b>	2-#12 (A, C) 3-#0 (B, D, E)	2-#12 (A,D) 3-#0 (N,R,S)	1-#12 (E) 1-#4 (D) 3-#0 (A, B, C)	5-#0
<b>RATING</b>	<b>D</b> For new MIL equip. design, use 36-3	<b>D</b>	<b>D</b>	<b>D</b>

### 6 CONTACTS



	<b>14S-6†</b>	<b>18A6</b> <b>18-06</b>	<b>18-12†</b>	<b>20-8†</b>	<b>20-22†</b>	<b>20-17†</b>
<b>CONTACTS</b>	6-#16	2-#16 (E, F) 4-#12 (A-D)	6-#16	4-#16 (B, C, E, F) 2-#8 (A, D)	3-#16 (B, D, F) 3-#8 (A, C, E)	1-#16 (F) 5-#12 (A-E)
<b>RATING</b>	<b>INST.</b>	<b>A</b>	<b>A</b> For new MIL equip. design, use 16S-1	<b>INST.</b>	<b>A</b>	<b>A</b>



	<b>22-5†</b>	<b>22-15†</b>	<b>22-24†</b>	<b>24A-6</b>	<b>24-06</b>
<b>CONTACTS</b>	4-#16 (A,C,D,F) 2-#12 (B,E)	1-#16 (D) 5-#12 (A, B, C, E, F)	4-#16 (A, C, D, E) 2-#12 (B, F)	2-#8 (F, C) 4-#12 (A, B, E, D)	2-#16 (E, F) 4-#8 (A, B, C, D)
<b>RATING</b>	<b>A</b> (A, B, C, E, F)	<b>A</b> (A, B, C, E, F) <b>E</b> (D)	<b>A</b> (A, B, F); <b>D</b> (C, D, E) For new MIL equip. design, use 22-5	<b>D</b>	<b>D</b>

† = Military designation per MIL-STD-1651.

‡ = Military designation inactive for new design.

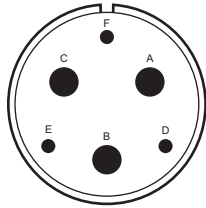
★ = VG95234

# MIL-DTL-5015

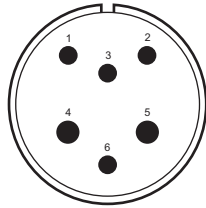
## INSERT CONFIGURATIONS BY NUMBER OF CONTACTS

FACE VIEW OF PIN INSERTS SHOWN APPROXIMATELY 3/4 ACTUAL SIZE

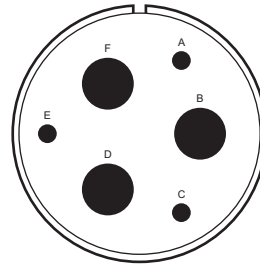
### 6 CONTACTS (CONT.)



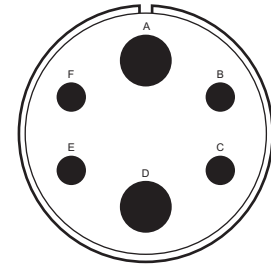
28-22†



28-82‡

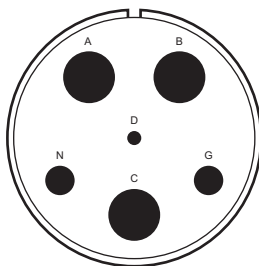


36-3†

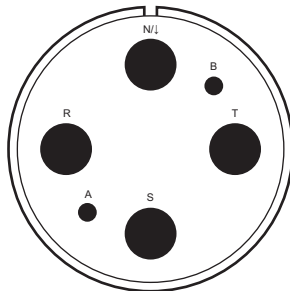


36-6†

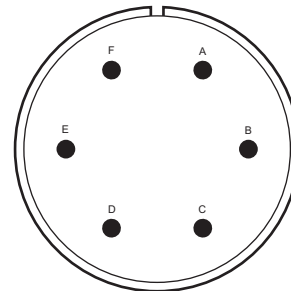
<b>CONTACTS</b>	3-#16 (D, E, F) 3-#4 (A, B, C)	4-#12 (1, 2, 3, 6) 2-#8 (4, 5)	3-#12 (A, C, E) 3-#0 (B, D, F)	4-#4 (B, C, E, F) 2-#0 (A, D)
<b>RATING</b>	D	D	D	A



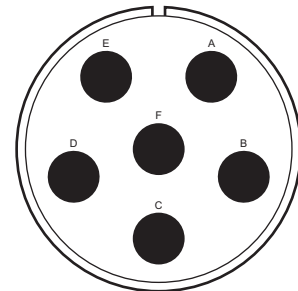
36A51



40A4



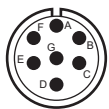
40-A6



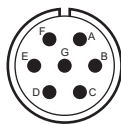
40-60

<b>CONTACTS</b>	1-#16 (D) 2-#4 (G, N) 3-#0 (A, B, C)	2-#12 (A, B) 4-#0 (N, R, S, T)	6-#12	6-#0
<b>RATING</b>	D	A	B	A

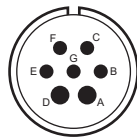
### 7 CONTACTS



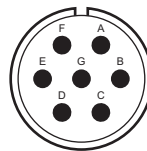
14SA7  
14S-07



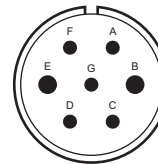
16S-1†



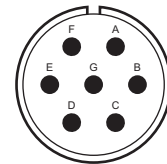
18-9‡



20-15‡



22-26‡



22-28‡

<b>CONTACTS</b>	7-#16	7-#16	5-#16 (B, C, E, F, G) 2-#12 (A, D)	7-#12	5-#16 (A, C, D, F, G) 2-#12 (B, E)	7-#12
<b>RATING</b>	A	A	INST.	A	A	A For new MIL equip. design, use 22-33

† = Military designation per MIL-STD-1651.

‡ = Military designation inactive for new design.

★ = VG95234

## INSERT CONFIGURATIONS BY NUMBER OF CONTACTS

FACE VIEW OF PIN INSERTS SHOWN APPROXIMATELY 3/4 ACTUAL SIZE

### 7 CONTACTS (CONT.)

<b>22-29†</b>	<b>22-33†</b>	<b>24-2†</b>	<b>24-3‡</b>	<b>24A7 24-07</b>
<b>CONTACTS</b> 6-#16 (A, B, C, D, E, F) 1-#4 (G)	7-#16	7-#12	5-#16 (A, C-F) 2-#12 (B, G)	7-#12
<b>RATING</b> A	A (E-G); D (A-D)	D	D For new MIL equip. design, use 24-20	D

<b>24-10†</b>	<b>24-16†</b>	<b>24-27†</b>	<b>24-66</b>	<b>28-10†</b>
<b>CONTACTS</b> 7-#8	3-#16 (A, B, F) 3-#12 (C, D, E) 1-#8 (G)	7-#16	7-#12	3-#12 (A, F, G) 2-#8 (B, E) 2-#4 (C, D)
<b>RATING</b> A	A (C-E); D (A, B, F, G)	E	A	D (G); A (balance)

<b>32-10‡</b>	<b>32-14</b>	<b>40-87</b>
<b>CONTACTS</b> 3-#16 (A, F, G) 2-#8 (B, E) 2-#4 (C, D)	5-#12 (B, D, E, F, H) 2-#4 (G, J)	7-#4
<b>RATING</b> A (C, D); B (G) D (B, E); E (A, F)	D	D

† = Military designation per MIL-STD-1651.

‡ = Military designation inactive for new design.

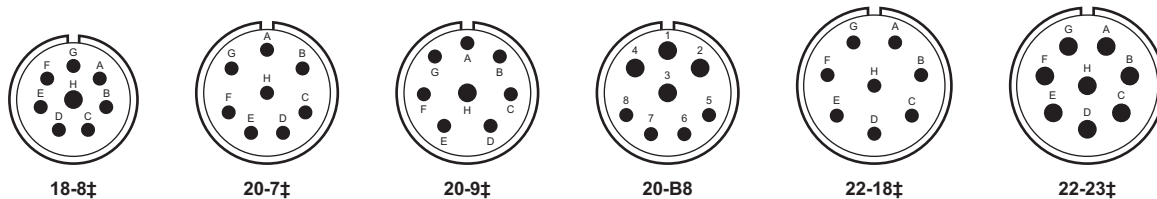
★ = VG95234

# MIL-DTL-5015

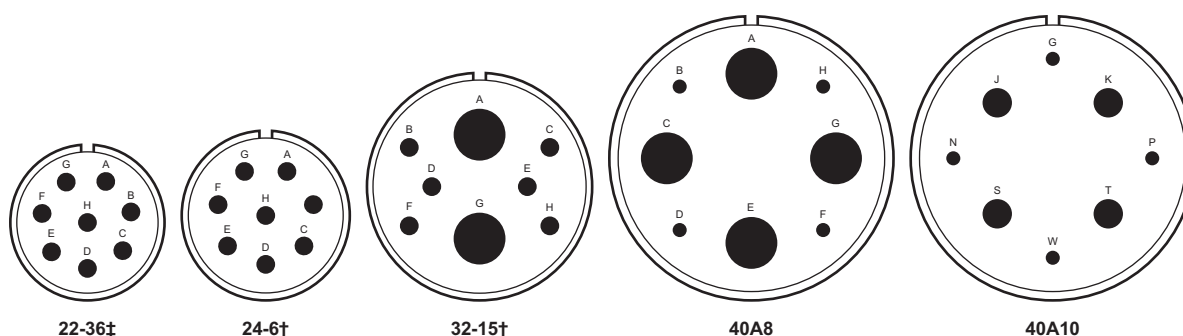
## INSERT CONFIGURATIONS BY NUMBER OF CONTACTS

FACE VIEW OF PIN INSERTS SHOWN APPROXIMATELY 3/4 ACTUAL SIZE

### 8 CONTACTS

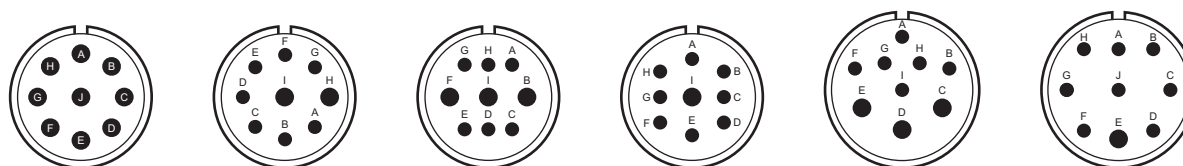


<b>CONTACTS</b>	7-#16 (A-G) 1-#12 (H)	8-#16	7-#16 (A-G) 1-#12 (H)	4-#16 (5-8) 4-#12 (1-4)	8-#16	8-#12
<b>RATING</b>	A	A (C-F) D (A, B, G, H)	A (A-G); D (H)	A	A (C-E) D (balance)	D (H); A (balance)



<b>CONTACTS</b>	8-#12 Thermocouple	8-#12	6-#12 (B, F, H) 2-#0 (A, G)	4-#16 (B,D,F,H) 4-#0 (A,C,E,G)	4-#16 (G, N, P, W) 4-#4 (J, K, S, T)
<b>RATING</b>	A (A-G); D (H)	D (A, G, H) A (balance)	D	D	D

### 9 CONTACTS



<b>CONTACTS</b>	9-#12	7-#16 (A-G) 2-#12 (H, I)	6-#16 (A, C, D, E, G, H) 3-#12 (B, F, I)	8-#16 (A-H) 1-#12 (I)	6-#16 (A, B, F-J) 3-#12 (C, D, E)	8-#16 (A-D, F-J) 1-#12 (E)
<b>RATING</b>	D (J) A (balance)	A	A	A	A For new MIL equip. design, use 20-18	D (A); A (balance)

† = Military designation per MIL-STD-1651.

‡ = Military designation inactive for new design.

★ = VG95234

## INSERT CONFIGURATIONS BY NUMBER OF CONTACTS

FACE VIEW OF PIN INSERTS SHOWN APPROXIMATELY 3/4 ACTUAL SIZE

### 9 CONTACTS (CONT.)

<b>22-20†</b>	<b>22-27†</b>	<b>24-11†</b>	<b>28-1†</b>	<b>28-4†</b>	
<b>CONTACTS</b>	9-#16	8-#16 (A-H) 1-#8 (J)	6-#12 (A-C, G-I) 3-#8 (D, E, F)	6-#12 (A, B, D, E, F, H) 3-#8 (C, J, G)	7-#16 (A, B, E, F, G, P, S) 2-#12 (C, D)
<b>RATING</b>	<b>A</b> For new MIL equip. design, use 20-33	<b>D (J); A (balance)</b>	<b>A</b>	<b>D (A, E, J)</b> <b>A (balance)</b>	<b>E (G, P, S)</b> <b>D (balance)</b>

<b>28A9</b> <b>28-09</b>	<b>28-84</b>	<b>32-3†</b>	<b>32-689</b>	
<b>CONTACTS</b>	5-#16 (A,D,E,F,J) 4-#4 (B,C,G,H)	9-#8	4-#16 (A, C, G, J) 2-#12 (B, E) 2-#4 (D, F), 1-#0 (H)	6-#16 (C,D,E,J,N,P) 3-#4 (A,B,R)
<b>RATING</b>	<b>A</b>	<b>A</b>	<b>D</b>	<b>A</b>

### 10 CONTACTS

<b>16A10</b>	<b>18-1†</b>	<b>18-19†</b>	<b>20-58</b>	<b>22A10</b>
<b>CONTACTS</b>	10-#18	10-#16	5-#16 (F-L) 5-#12 (A-E)	10-#16
<b>RATING</b>	<b>A</b>	<b>A (B, C, F, G)</b> <b>INST. (balance)</b>	<b>A</b> For new MIL equip. design, use 18-1	<b>A</b>

<b>22-82</b>	<b>24-21†</b>	<b>28-19†</b>	
<b>CONTACTS</b>	8-#16 (A-D,G-K) 2-#8 (E,F)	9-#16 (A-D, F-K) 1-#8 (E)	6-#16 (A, B, C, H, L, M) 4-#12 (E, G, J, K)
<b>RATING</b>	<b>A</b>	<b>D</b>	<b>A (C, E, G, J, K, L)</b> <b>B (H, M); D (A, B)</b>

† = Military designation per MIL-STD-1651.

‡ = Military designation inactive for new design.

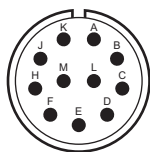
★ = VG95234

# MIL-DTL-5015

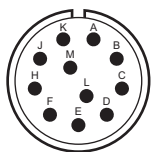
## INSERT CONFIGURATIONS BY NUMBER OF CONTACTS

FACE VIEW OF PIN INSERTS SHOWN APPROXIMATELY 3/4 ACTUAL SIZE

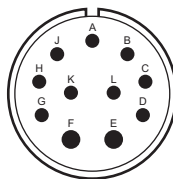
### 11 CONTACTS



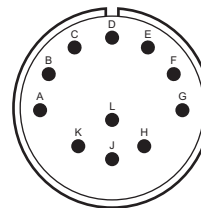
20-31‡



20-33†

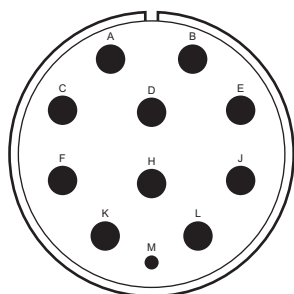


24-20†

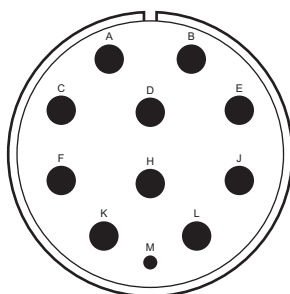


28-14‡

<b>CONTACTS</b>	11-#16	11-#16	9-#16 (A-D, G-L) 2-#12 (E, F)	11-#16
<b>RATING</b>	A	A	D For new MIL equip. design, use 28-2	D



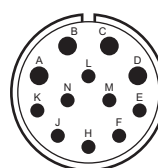
40-67



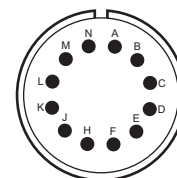
40-80

<b>CONTACTS</b>	1-#16 (M) 10-#4 (A-L)	1-#16 (M) 10-#4 (A-L)
<b>RATING</b>	A	A

### 12 CONTACTS

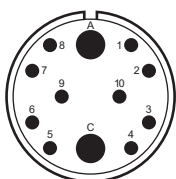


22-63

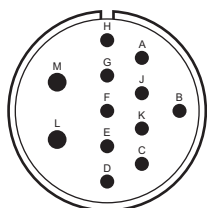


24-19‡

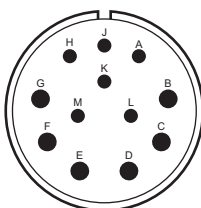
<b>CONTACTS</b>	8-#16 (E-L) 4-#12 (A-D)	12-#16
<b>RATING</b>	A	A



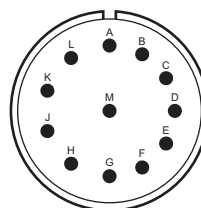
24S12



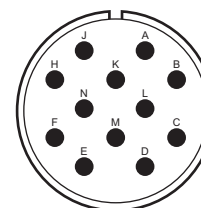
28-8†



28-9†



28-18†



28-51

<b>CONTACTS</b>	10-#16 (1-10) 2-#4 (A, C)	10-#16 (A-K) 2-#12 (L, M)	6-#16 (A, H, M) 6-#12 (B-G)	12-#16	12-#12
<b>RATING</b>	A	D (B); E (L, M) A (balance)	D	A (A, B); C (M) D (G, L); INST. (C-F)	A

† = Military designation per MIL-STD-1651.

‡ = Military designation inactive for new design.

★ = VG95234

## INSERT CONFIGURATIONS BY NUMBER OF CONTACTS

FACE VIEW OF PIN INSERTS SHOWN APPROXIMATELY 3/4 ACTUAL SIZE

### 13 CONTACTS

<b>20-11†</b>	<b>22-70</b>	<b>24A13</b> <b>24-013</b>	<b>24-58</b>	<b>32A13</b> <b>32-013</b>
<b>CONTACTS</b>	13-#16	7-#16 (1-6, 13) 6-#12 (7-12)	7-#16 (H-P) 3-#12 (D, E, F); 3-#8 (A, B, C)	13-#12
<b>RATING</b>	INST.	A		D

### 14 CONTACTS

<b>20-27†</b>	<b>22-19†</b>	<b>24S14</b>	<b>24-59</b>	<b>28-2†</b>	<b>28-20†</b>
<b>CONTACTS</b>	14-#16	12-#16 (1-12) 2-#4 (A, C)	7-#16 (J-R) 7-#12 (A-H)	12-#16 (A, L, N) 2-#12 (M, P)	4-#16 (K-N) 10-#12 (A-J, P)
<b>RATING</b>	A	A	A	D	A

<b>32-4‡</b>	<b>32-9‡</b>	<b>36B78</b>	<b>36D78</b>
<b>CONTACTS</b>	12-#16 (A-F, J-O) 2-#12 (G, H)	12-#16 (C-N) 2-#4 (A, B)	2-#16 (11, 13) 12-#8 (1-10, 12, 14,)
<b>RATING</b>	A (F, J, K, N,) D (balance)	D For new MIL equip. design, use 28-2	D

† = Military designation per MIL-STD-1651.

‡ = Military designation inactive for new design.

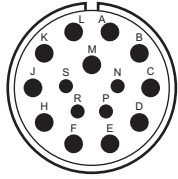
★ = VG95234

# MIL-DTL-5015

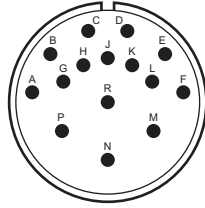
## INSERT CONFIGURATIONS BY NUMBER OF CONTACTS

FACE VIEW OF PIN INSERTS SHOWN APPROXIMATELY 3/4 ACTUAL SIZE

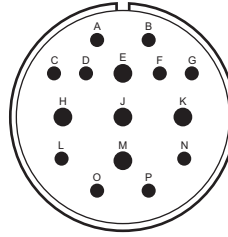
### 15 CONTACTS



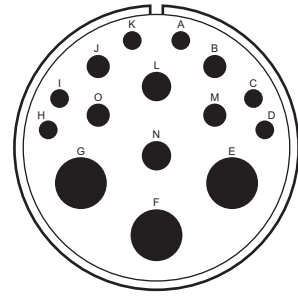
24-65



28-17†

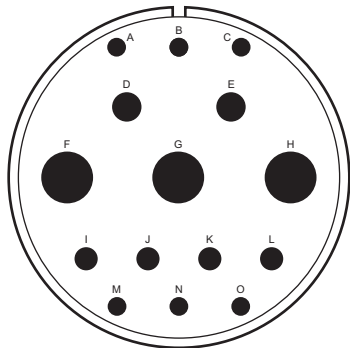


32-12‡



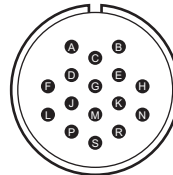
40-5†

<b>CONTACTS</b>	4-#16 (N-S) 11-#12 (A-M)	15-#16	10-#16 (A-D, F, G, L, N-P) 5-#12 (E, H, J, K, M)	6-#12 (C, D, H, I, K) 4-#8 (B, J, M, O) 2-#4(L, N), 3-#0 (E, F, G)
<b>RATING</b>	A	A (A-L); B (R) D (M-P)	A (C-G); D (balance) For new MIL equip. design, use 32-13	D

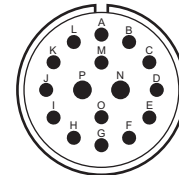


48-1†

### 16 CONTACTS

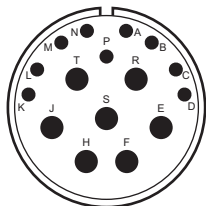


24-5‡

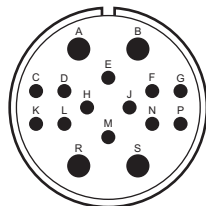


24-7†

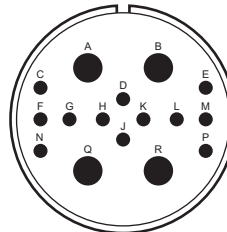
<b>CONTACTS</b>	6-#12 (A-C, M-O) 4-#8 (I-L), 2-#4 (D,E) 3-#0 (F-H)	16-#16	14-#16 (A-M,O) 2-#12 (N,P)
<b>RATING</b>	E (B, N); D (balance)	A For new MIL equip. design, use 22-14	A



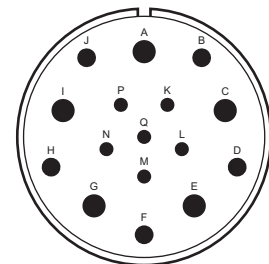
28-79



28-124



32-68



36-14 ‡

<b>CONTACTS</b>	9-#16 (A-D, K-P) 7-#8 (J, R, S, T)	12-#16 (C-P) 4-#8, (A,B,R,S)	12-#16 (C-P) 4-#4, (A,B,Q,R)	6-#16 (K-Q) 5-#12 (B, D, F, H, J) 5-#8 (A, C, E, G, I)
<b>RATING</b>	A	A	A	D

† = Military designation per MIL-STD-1651.

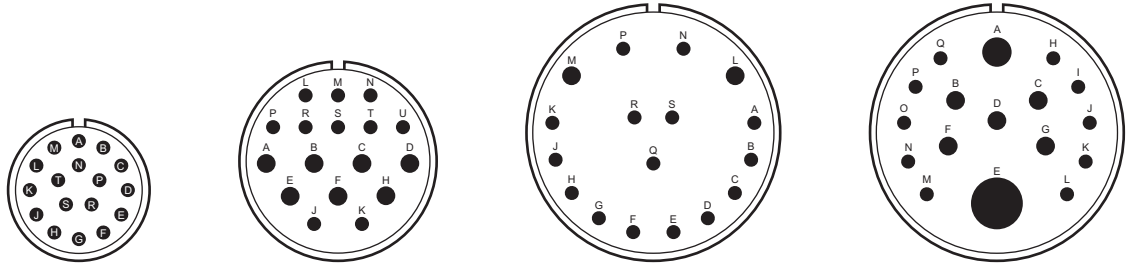
‡ = Military designation inactive for new design.

★ = VG95234

## INSERT CONFIGURATIONS BY NUMBER OF CONTACTS

FACE VIEW OF PIN INSERTS SHOWN APPROXIMATELY 3/4 ACTUAL SIZE

### 17 CONTACTS



20-29†

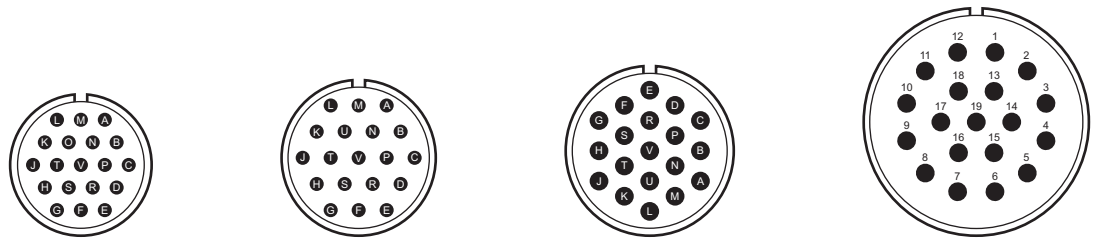
28-59

36-13‡

36-19‡

<b>CONTACTS</b>	17-#16	10-#16 (J-U) 7-#12 (A-H)	15-#16 (A-K, N-S) 2-#12 (L, M)	10-#16 (H-Q) 5-#12 (B-D, F, G) 1-#4 (A), 1-#0 (E)
<b>RATING</b>	A	A	E (N-Q); A (balance)	D

### 19 CONTACTS



20A48

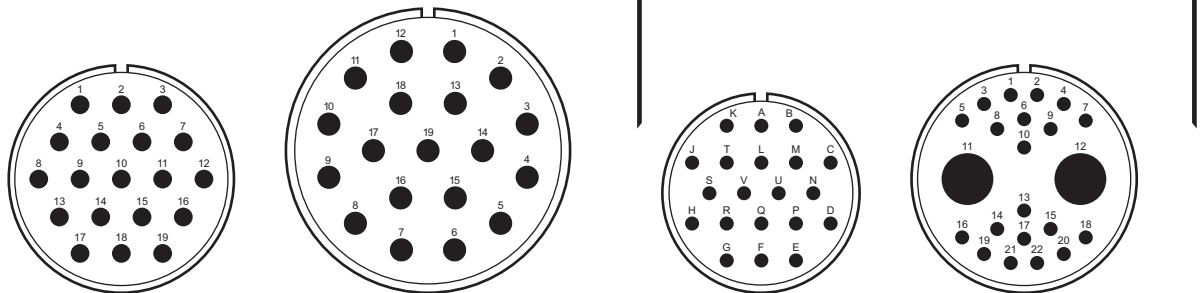
22-14‡

24-67

32S19

<b>CONTACTS</b>	19-#16	19-#16	19-#12	19-#12
<b>RATING</b>	I	A	INST.	A

### 20 CONTACTS



32-76

40B19

28-16‡

32-76

<b>CONTACTS</b>	19-#12	19-#8	20-#16	20-#16 2-#1/0
<b>RATING</b>	A	A	A For new MIL equip. design, use 28-12	A

† = Military designation per MIL-STD-1651.

‡ = Military designation inactive for new design.

★ = VG95234

# MIL-DTL-5015

## INSERT CONFIGURATIONS BY NUMBER OF CONTACTS

FACE VIEW OF PIN INSERTS SHOWN APPROXIMATELY 3/4 ACTUAL SIZE

21 CONTACTS		22 CONTACTS		
	40-68	28-11†	32B22	36-1‡
CONTACTS	21-#8	18-#16 (A-I, N-X) 4-#12 (J-M)	20-#16 (1-10, 13-22) 2-#4 (11, 12)	18-#16 (A-F, I-R, U-W) 4-#12 (G, H, S, T)
RATING	A	A	A	D For new MIL equip. design, use 32-13

		23 CONTACTS	
	36-22 36A22	40-7†	24-80†
CONTACTS	22-#12	18-#16 (A-T), 2-#12 (W, X) 2-#0 (U, V)	23-#16
RATING	D	A (P, Q, U-X); D (balance)	INST.
			32-6†
			16-#16 (A-O, S) 2-#12 (U, V) 3-#8 (P-T), 2-#4 (W, X)
			A

	32-13†	40-2†	40-3†	40-4†
CONTACTS	18-#16 (A-D, K-Z) 5-#12 (E-J)	23-#16	18-#16 (A-T) 4-#12 (U-X); 1-#4 (Y)	16-#16 (A, C-I, O-V, X) 2-#12 (J, N); 3-#8 (K, L, M); 2-#4 (B, W)
RATING	D	B (A-E); D (balance)	D	D

† = Military designation per MIL-STD-1651.

‡ = Military designation inactive for new design.

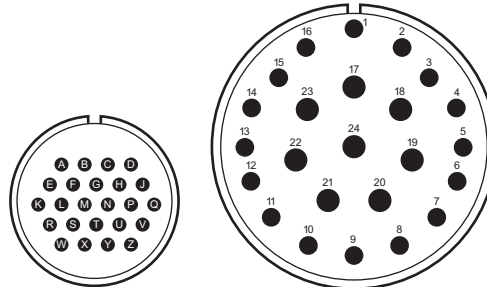
★ = VG95234



## INSERT CONFIGURATIONS BY NUMBER OF CONTACTS

FACE VIEW OF PIN INSERTS SHOWN APPROXIMATELY 3/4 ACTUAL SIZE

### 24 CONTACTS

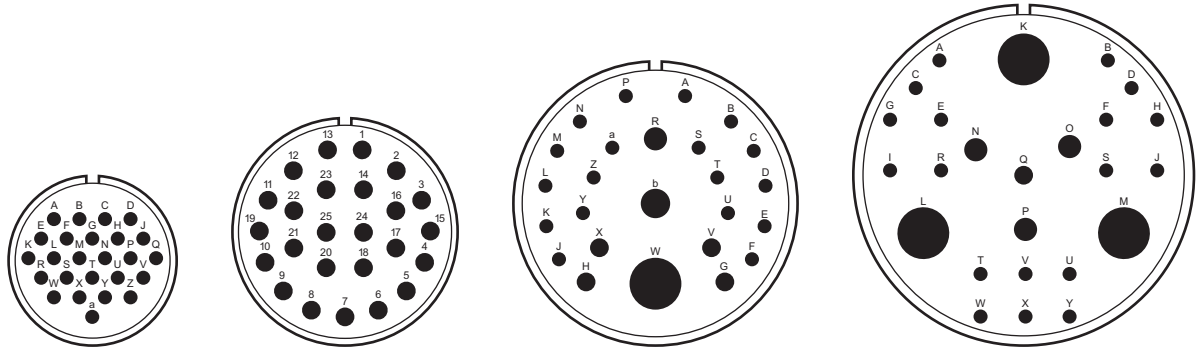


24-28†

40-A24

<b>CONTACTS</b>	24-#16	16-#12 (1-16) 8-#8 (17-24)
<b>RATING</b>	INST.	D

### 25 CONTACTS



24A25

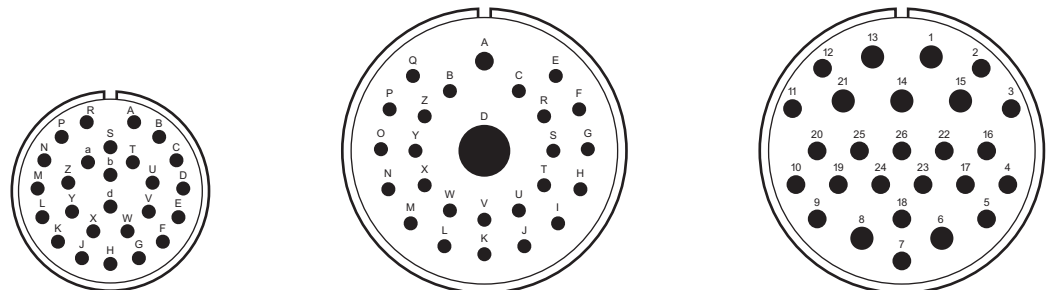
32A25

40-11†

48-3†

<b>CONTACTS</b>	25-#16	25-#12	18-#16 (A-F, J-P, S-U, Y, Z a) 4-#12 (G, H, V, X) 1-#8 (R), 1-#4 (b), 1-#0 (W)	18-#16 (A-J, R-Y) 1-#12 (Q), 3-#8 (N-P) 3-#0 (K-M)
<b>RATING</b>	A	A	D	D

### 26 CONTACTS



28-12†

40-6†

40-26

<b>CONTACTS</b>	26-#16	24-#16 (B, C, E, Z) 1-#12 (A), 1-#0 (D)	19-#12 (2-5, 7, 9-12, 16-20, 22-26) 7-#8 (1, 6, 8, 13-15, 21)
<b>RATING</b>	A	D	A

† = Military designation per MIL-STD-1651.

‡ = Military designation inactive for new design.

★ = VG95234

# MIL-DTL-5015

## INSERT CONFIGURATIONS BY NUMBER OF CONTACTS

FACE VIEW OF PIN INSERTS SHOWN APPROXIMATELY 3/4 ACTUAL SIZE

	27 CONTACTS		28 CONTACTS	
	<b>32A27</b>	<b>40A27</b>	<b>24A28</b>	<b>28A63</b>
<b>CONTACTS</b>	10-#12 (1-10) 17-#16 (11-27)	25-#12 (2 thru 8, 10 thru 27) 2-#4 (1,9)	28-#16	19-#16 (K-e) 9-#12 (A-J)
<b>RATING</b>	A	D	I	A (e) I (balance)

	29 CONTACTS			
	<b>28-A29</b>	<b>28A55</b>	<b>40-10†</b>	<b>40-12‡</b>
<b>CONTACTS</b>	27-#16 (1-26,28) 2-#8 (27,29)	29-#16	16-#16 (A, B, E-H, M, N, P, Q, V-Y, b, c) 9-#8 (C, D, I, L, O, R, U, z, a) 4-#4 (J, K, S, T)	22-#16 (A-Z) 6-#12 (a-e, g), 1-#0 (f)
<b>RATING</b>	D	A	A	D

	30 CONTACTS		31 CONTACTS	
	<b>32A30</b>	<b>32-8†</b>	<b>40-1†</b>	<b>28A31</b>
<b>CONTACTS</b>	20-#16 (11-30) 10-#12 (1-10)	24-#16 (A-L, T-Z, a-e) 6-#12 (M-S)	24-#16 (A-L, T-e) 6-#12 (M-S)	25-#18 (1-17, 19, 21, 23, 24, 26, 28, 30, 31) 6-#8 (18, 20, 22, 25, 27, 29)
<b>RATING</b>	A	A For new MIL equip. design, use 32-7	D	A

† = Military designation per MIL-STD-1651.

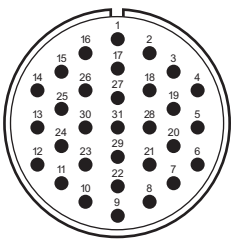
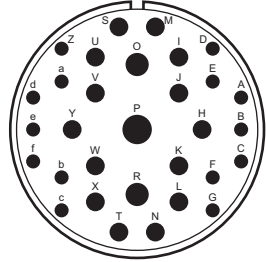
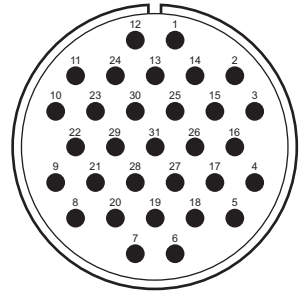
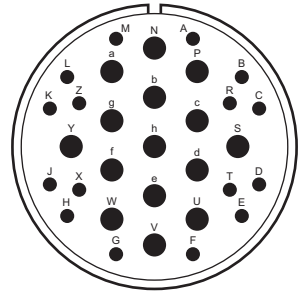
‡ = Military designation inactive for new design.

★ = VG95234

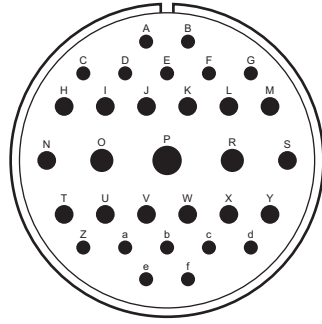
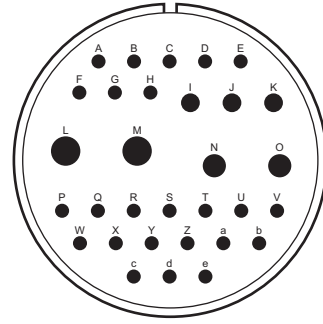
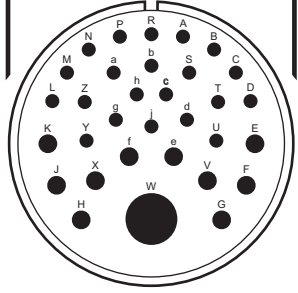
## INSERT CONFIGURATIONS BY NUMBER OF CONTACTS

FACE VIEW OF PIN INSERTS SHOWN APPROXIMATELY 3/4 ACTUAL SIZE

### 31 CONTACTS (CONT.)

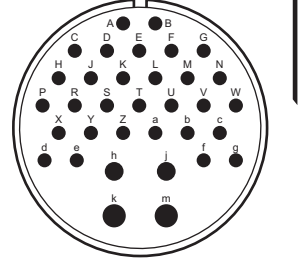
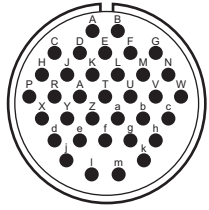
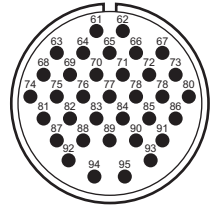
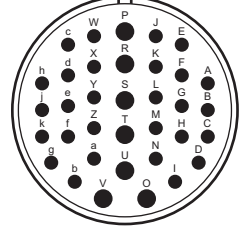
			
<b>32-31</b>	<b>36-9†</b>	<b>40-31</b>	<b>40A51</b>
<b>CONTACTS</b>	31-#16	14-#16 (A-G, Z-f) 14-#12 (H-N, S-Y) 2-#8 (O, R), 1-#4 (P)	16-#16 (A-M,R,T,X,Z) 15-#8 (N,P,S,U-W,Y,a-h)
<b>RATING</b>	A	A	D

### 32 CONTACTS

			
<b>44-2†</b>	<b>44-3†</b>	<b>40-14‡</b>	
<b>CONTACTS</b>	14-#16 (A-G, Z-f) 14-#12 (H-N,S-Y) 2-#8 (O,R), 1-#4 (P)	24-#16 (A-H, P-e) 3-#12 (I, J, K) 2-#8 (N, O), 2-#4 (L, M)	21-#16 (A-D, L-U, Y-d, g, h, i) 10-#12 (E-K, V, X, e, f) 1-#0 (W)
<b>RATING</b>	D	D	

### 34 CONTACTS

### 35 CONTACTS

				
<b>36-20‡</b>	<b>28-15†</b>	<b>28A35</b>	<b>32-7†</b>	
<b>CONTACTS</b>	30-#16 (A-g) 2-#12 (h-j) 2-#8 (k, m)	35-#16	35-#16	28-#16 (A-N, W-Z, a-k) 7-#12 (O-V)
<b>RATING</b>	A	A	A	INST. (A,B,h,j) A (balance)

† = Military designation per MIL-STD-1651.

‡ = Military designation inactive for new design.

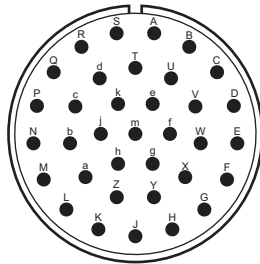
★ = VG95234

# MIL-DTL-5015

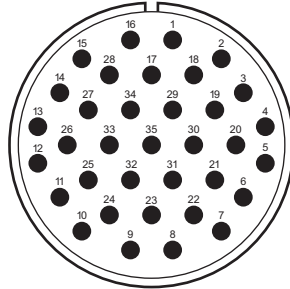
## INSERT CONFIGURATIONS BY NUMBER OF CONTACTS

FACE VIEW OF PIN INSERTS SHOWN APPROXIMATELY 3/4 ACTUAL SIZE

### 35 CONTACTS (CONT.)

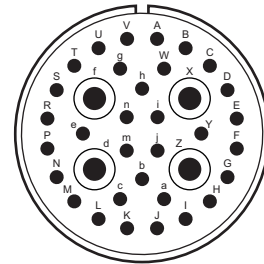


36-15†



40-35

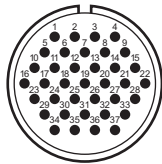
### 36 CONTACTS



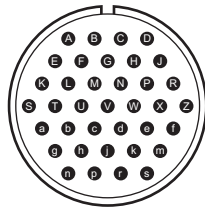
36-35

<b>CONTACTS</b>	35-#16	35-#12	4-#8 (d, f, X, Z) 32-#16 (A-W, Y, a, b, c, e, g-n)
<b>RATING</b>	D (m); A (balance)	D	A

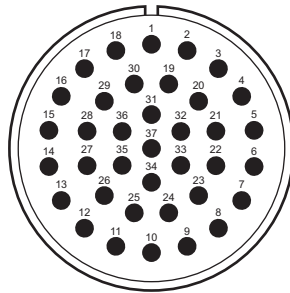
### 37 CONTACTS



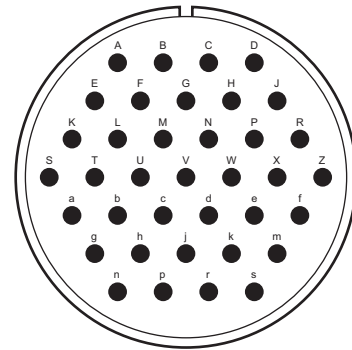
22A37



28-21†



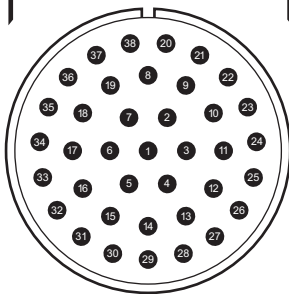
40B37



48-53

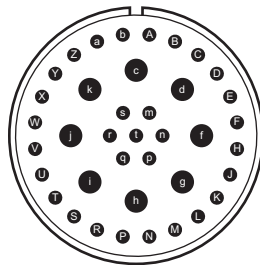
<b>CONTACTS</b>	37-#18	37-#16	37-#12	37-#12
<b>RATING</b>	A	A	A	A

### 38 CONTACTS



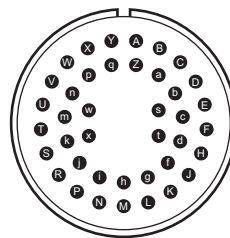
40A38

### 39 CONTACTS



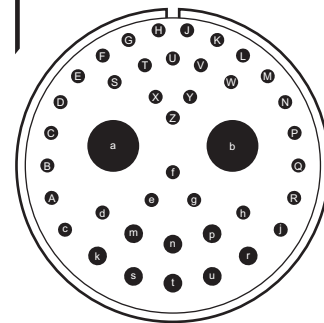
36-54

### 40 CONTACTS



32A40

### 41 CONTACTS



44-4†

<b>CONTACTS</b>	38-#12	31-#16 (A-b, m-t) 8-#8 (c-k)	40-#16	31-#16 (A-Z, c, j) 8-#12 (k-u), 2-#0 (a, b)
<b>RATING</b>	A	A	A	D

† = Military designation per MIL-STD-1651.

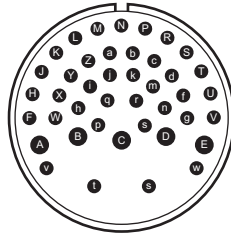
‡ = Military designation inactive for new design.

★ = VG95234

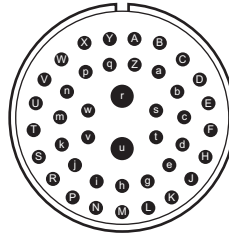
## INSERT CONFIGURATIONS BY NUMBER OF CONTACTS

FACE VIEW OF PIN INSERTS SHOWN APPROXIMATELY 3/4 ACTUAL SIZE

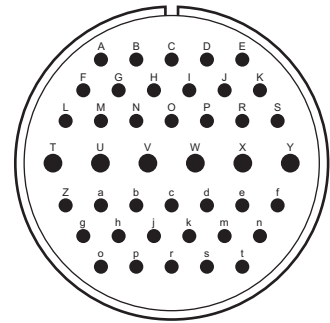
### 42 CONTACTS



32-53



32-59



44-1†

CONTACTS

37-#16 (F-w)  
5-#12 (A-E)

2-#8 (r, u)  
40-#16 (balance)

36-#16 (A-S, Z-t)  
6-#12 (T-Y)

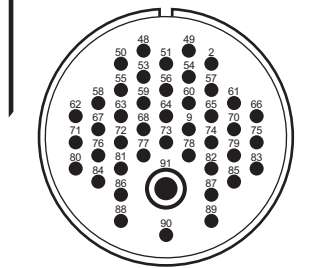
RATING

E (t,u); INST. (balance)

A

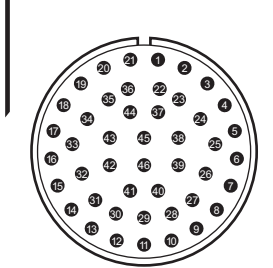
D

### 44 CONTACTS



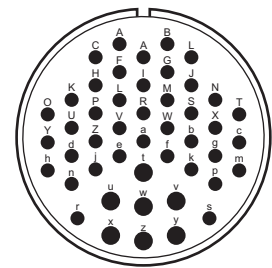
36-74

### 46 CONTACTS



32-73‡

### 47 CONTACTS



36-7†

CONTACTS

43-#16 (48-90)  
1-#8

46-#16

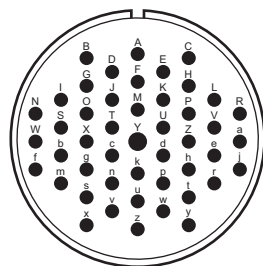
40-#16 (A-Z, a-s)  
7-#12 (t-z)

RATING

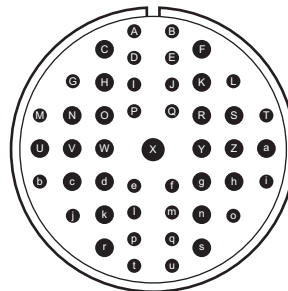
A

A

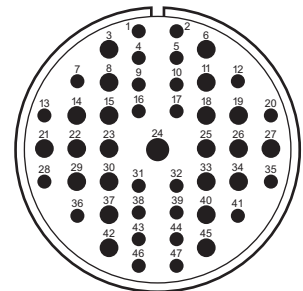
A



36-8†



40-9†



40-47

CONTACTS

46-#16 (A-X, Z-z)  
1-#12 (Y)

24-#16 (A, B, D, E, G, I, J, L, M, P, Q, T, b, e, f,  
i, j, l, m, o, p, q, t, u) 22-#12 (C, F, H, K, N, O,  
R, S, U-W, Y, Z, a, c, d, g, h, k, n, r, s), 1-#8 (X)

24-#16 (1,2,4,5,7,9,10,12,13,16,17,20,28,  
31,32,25, 38,39,44, 43,44,46,47)  
22-#12 (3,6,8,11,14,15,18,19,21,22,23,25,26,  
27,29,30,33,34,37,40,42,45) 1-#8 (24)

RATING

A

A

A

† = Military designation per MIL-STD-1651.

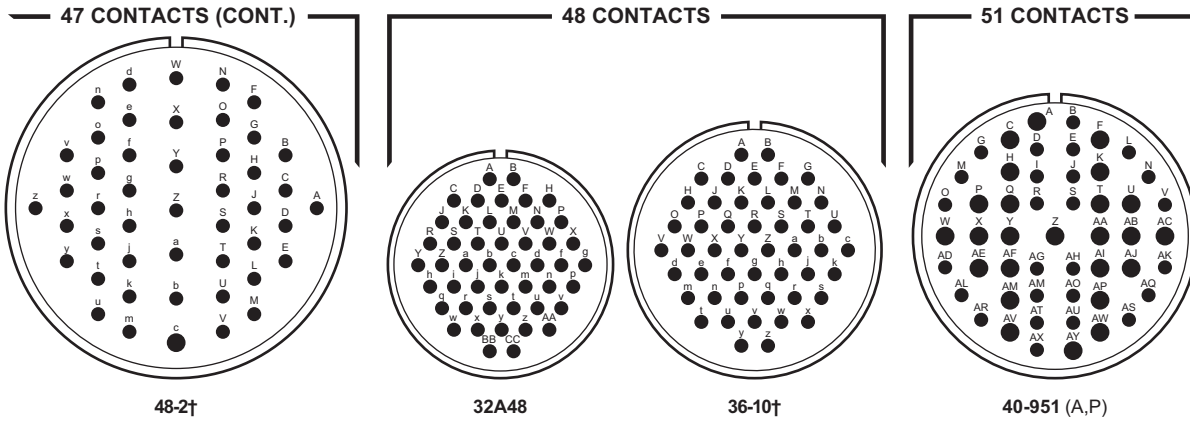
‡ = Military designation inactive for new design.

★ = VG95234

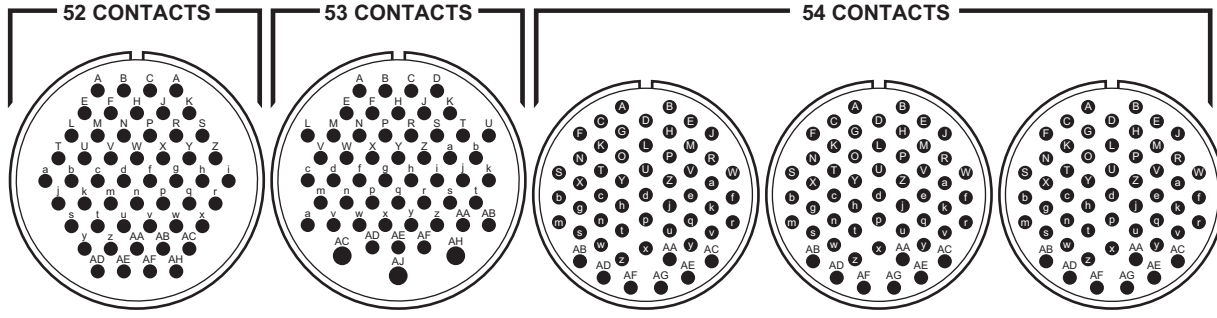
# MIL-DTL-5015

## INSERT CONFIGURATIONS BY NUMBER OF CONTACTS

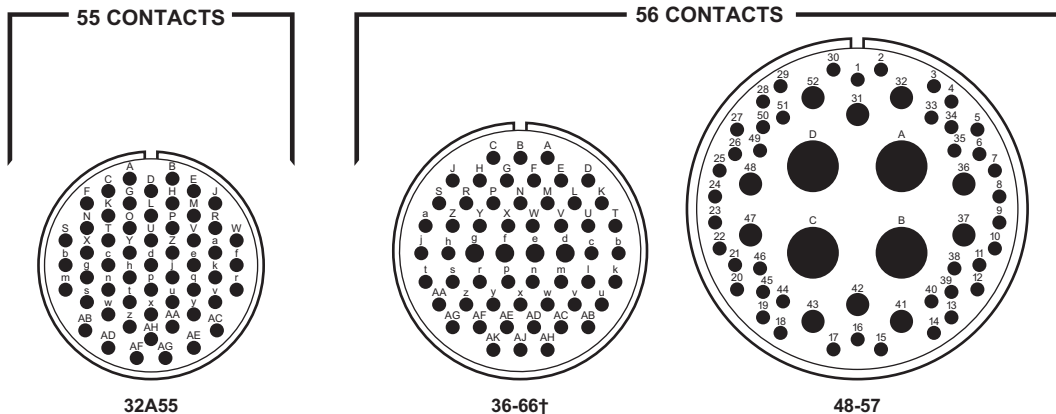
FACE VIEW OF PIN INSERTS SHOWN APPROXIMATELY 3/4 ACTUAL SIZE



	<b>48-2†</b>	<b>32A48</b>	<b>36-10†</b>	<b>40-951 (A,P)</b>
<b>CONTACTS</b>	46-#16 (A-b, d-z) 1-#12 (c)	48-#16	48-#16	25-#12 (A,C,F,H,K,P,Q,T,U,W-AC, AE,AF,AI,AJ,AM,AP,AV,AW) 26-#16 (balance)
<b>RATING</b>	E (W-b); D (balance)	I	A	A



	<b>36-52†</b>	<b>36-71</b>	<b>32-22†</b>	<b>32-64</b>	<b>32-88</b>
<b>CONTACTS</b>	52-#16	50-#16 (A-AB, AD-AF) 3-#12 (AC, AH, AJ)	54-#16	54-#16	54-#16
<b>RATING</b>	A	A	A	INST.	A



	<b>32A55</b>	<b>36-66†</b>	<b>48-57</b>
<b>CONTACTS</b>	55-#16	52-#16 (A-c, h-AH) 4-#12 (d, e, f, g)	42-#16 (1-30, 33-35, 38-40, 44-46, 49-51) 10-#8 (31, 32, 36, 37, 41-43, 47, 48, 52) 4-#0 (A-D)
<b>RATING</b>	A	A	A

† = Military designation per MIL-STD-1651.

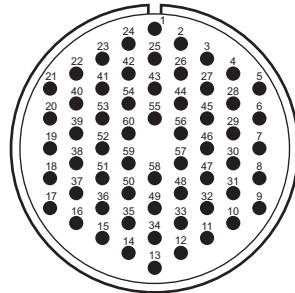
‡ = Military designation inactive for new design.

★ = VG95234

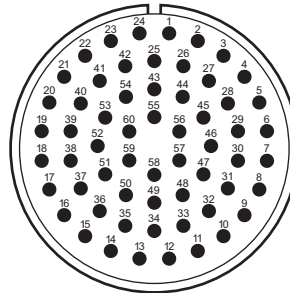
## INSERT CONFIGURATIONS BY NUMBER OF CONTACTS

FACE VIEW OF PIN INSERTS SHOWN APPROXIMATELY 3/4 ACTUAL SIZE

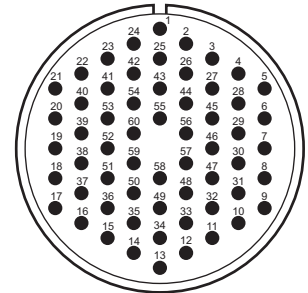
### 60 CONTACTS



40S27



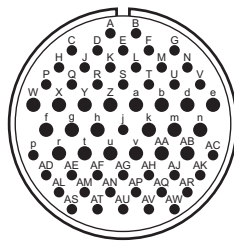
40-53



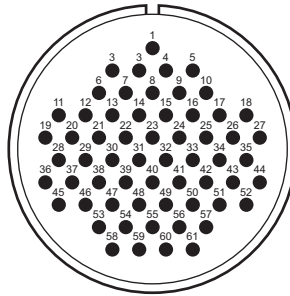
40-62

<b>CONTACTS</b>	60-#16	60-#16	60-#16
<b>RATING</b>	A	A	A

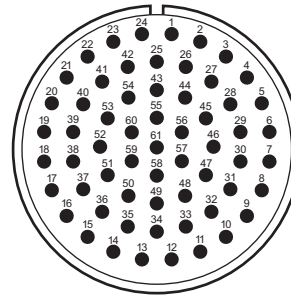
### 61 CONTACTS



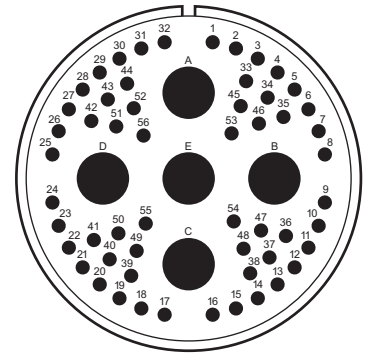
32A69\*



40-70



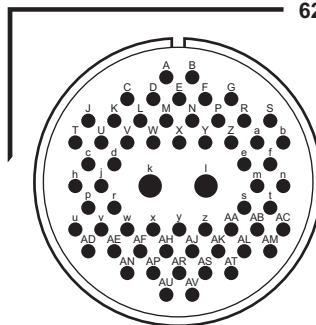
40-63



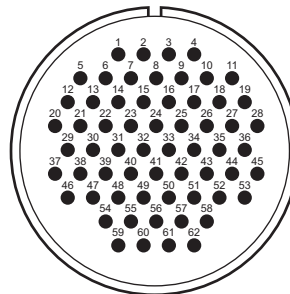
48-52

<b>CONTACTS</b>	41-#18 (A-V, j, p, AC-AW) 20-#16 (W-Z, a-v, AA, AB)	61-#16	61-#16	56-#16 (1-56) 5-#0 (A-E)
<b>RATING</b>	I	A	A	A

### 62 CONTACTS

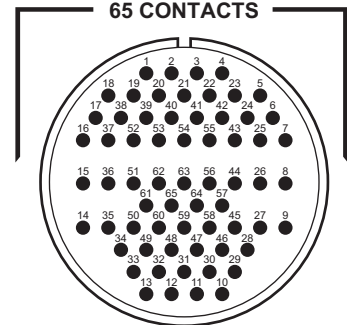


40A62



40-82

### 65 CONTACTS



40A65

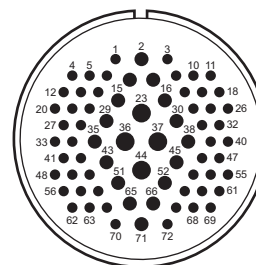
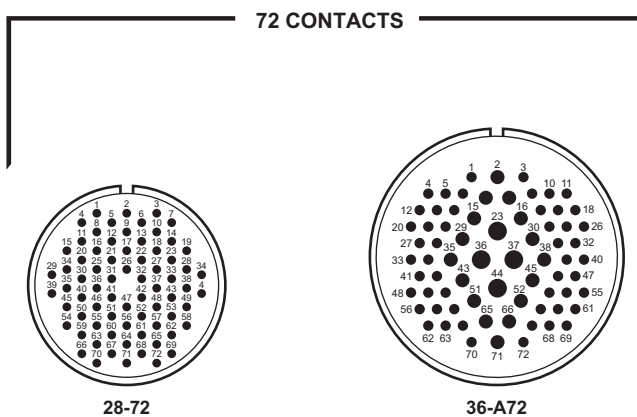
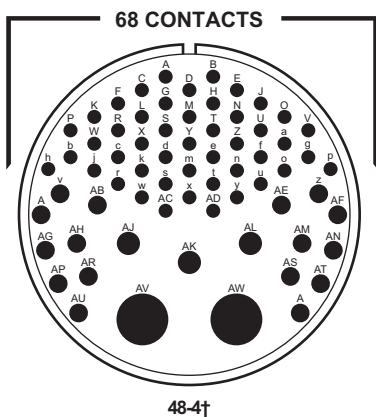
<b>CONTACTS</b>	60-#16 (A-j,m-AV) 2-#8 (k,l)	62-#16	65-#16
<b>RATING</b>	A	A	A

† = Military designation per MIL-STD-1651. ‡ = Military designation inactive for new design. ★ = VG95234

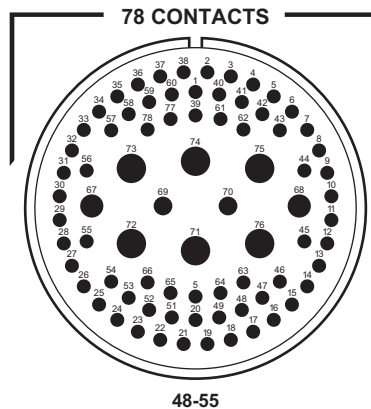
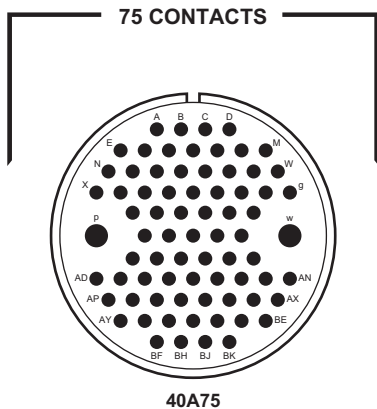
# MIL-DTL-5015

## INSERT CONFIGURATIONS BY NUMBER OF CONTACTS

FACE VIEW OF PIN INSERTS SHOWN APPROXIMATELY 3/4 ACTUAL SIZE



<b>CONTACTS</b>	47-#16 (A-u, w, y, AC, AD) 16-#12 (v, z, AA, AB, AE-AH, AM-AU, AX) 3-#8 (AJ-AL), 2-#0 (AV, AW)	72-#20	52-#18 (balance) 16-#16 (2,7,8,15,16,29,30,35,38,43,45,51,5265,66,71) 4-#12 (23,36,37,44)
<b>RATING</b>	D (AJ-AL, AV, AW); A (balance)	I	I



<b>CONTACTS</b>	73-#16 (A-n, q-v, x-BK) 2-#8 (p, w)	68-#16 (1-66, 77, 78) 2-#12 (69, 70); 2-#8 (67, 68) 6-#4 (71-76)
<b>RATING</b>	A	A

† = Military designation per MIL-STD-1651.

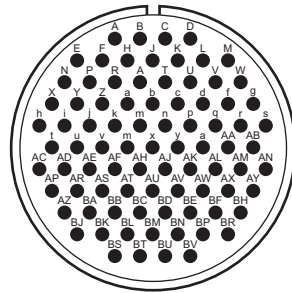
‡ = Military designation inactive for new design.

★ = VG95234

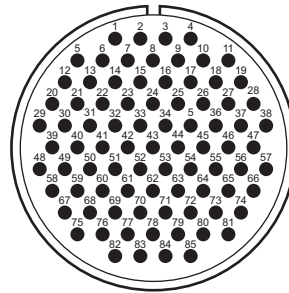
## INSERT CONFIGURATIONS BY NUMBER OF CONTACTS

FACE VIEW OF PIN INSERTS SHOWN APPROXIMATELY 3/4 ACTUAL SIZE

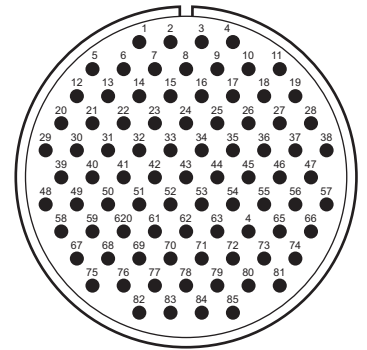
### 85 CONTACTS



40-56†

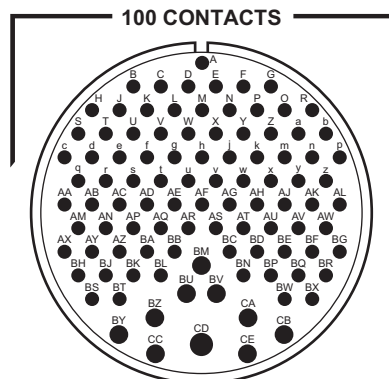


40A56  
40N56

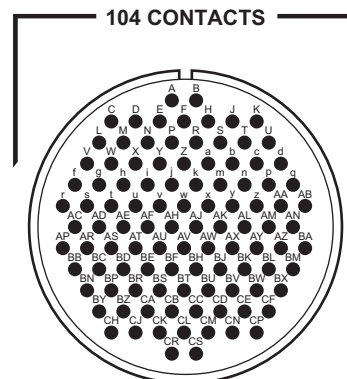


48-62‡

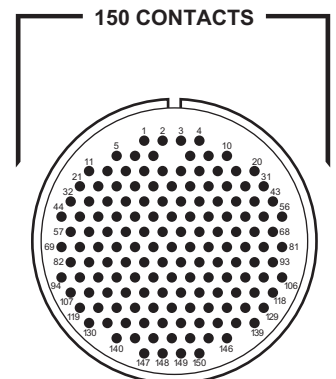
<b>CONTACTS</b>	85-#16	85-#16	85-#16
<b>RATING</b>	A	A	D



48-5‡



44-52†



40-150  
40A150

<b>CONTACTS</b>	90-#16 (A-BL, BN-BT, BW, BX) 9-#12 (BM, BU, BV, BY-CC, CE) 1-#8 (CD)	104-#16	150-#18
<b>RATING</b>	A	A	I

† = Military designation per MIL-STD-1651.

‡ = Military designation inactive for new design.

★ = VG95234

# We've Got You Covered



Contact  
Spacecraft's  
Consultative Sales Team  
for Ordering Information



YOUR  
**CONNECTOR  
CONSULTANT**  
SINCE 1962



**702.851.7600**

# SECTION 11A

## CROSS REFERENCE/INDEX

# CROSS REFERENCE/INDEX

A12-4★	Pin Contact Coaxial Size 8	9A-11
A43240 (Kit )	Contact Removal Tool Kit Size 16,12 & 8 ( T118250 )	9A-14
A43240-8	Contact Removal Tool Kit Size 8 (T118260)	9A-14
A46151-0T50	Contact Insertion Tool ( T117348 )	9A-14
A46151-4T50	Contact Insertion Tool ( T117347 )	9A-14
A46151-8T50	Contact Insertion Tool ( T117344 )	9A-14
AE550KS★	Threaded Wall Mount Receptacle (SC50KS★)	3A-2
AE550KT★	Threaded Wall Mount Receptacle (SC50KT★)	3A-2
AE550L★	Threaded Wall Mount Receptacle (SC50L★)	3A-2
AE550LS★	Threaded Wall Mount Receptacle (SC50LS★)	3A-2
AE550W★	Threaded Wall Mount Receptacle (SC50W★)	3A-2
AE551L★	Threaded In-line Receptacle (SC51L★)	3A-2
AE551LS★	Threaded In-line Receptacle (SC51LS★)	3A-2
AE551W★	Threaded In-line Receptacle (SC51W★)	3A-2
AE552L★	Threaded Box Mount Receptacle (SC52L★)	3A-2
AE552LS★	Threaded Box Mount Receptacle (SC52LS★)	3A-2
AE552W★	Threaded Box Mount Receptacle (SC52W★)	3A-2
AE554L★	Threaded Jam Nut Receptacle (SC54L★)	3A-2
AE554LS★	Threaded Jam Nut Receptacle (SC54LS★)	3A-2
AE554W★	Threaded Jam Nut Receptacle (SC54W★)	3A-2
AE556KS★	Threaded Straight Plug (SC56KS★)	3A-2
AE556KT★	Threaded Straight Plug (SC56KT★)	3A-2
AE556L★	Threaded Straight Plug (SC56L★)	3A-2
AE556LS★	Threaded Straight Plug (SC56LS★)	3A-2
AE556W★	Threaded Straight Plug (SC56W★)	3A-2
AE559KS★	Threaded Self-locking Threaded Straight Plug (SC59KS★)	3A-2
AE559KT★	Threaded Self-locking Threaded Straight Plug (SC59KT★)	3A-2
AE559L★	Threaded Self-locking Threaded Straight Plug (SC59L★)	3A-2
AE559LS★	Threaded Self-locking Threaded Straight Plug (SC59LS★)	3A-2
AE559W★	Threaded Self-locking Threaded Straight Plug (SC59W★)	3A-2
ATBX1-7082	Contact Insertion Tool ( T117082 )	9A-14
ATBX1-7345	Contact Insertion Tool ( T117345 )	9A-14
ATBX1-8220	Contact Insertion Tool ( T117344 )	9A-14
ATBX2-8250 (kit)	Contact Removal Tool Kit Size 16,12 & 8 ( T118250 )	9A-14
ATC 2234	Contact Removal Tool Kit Size 4 ( T118270 )	9A-14
ATC1377	Contact Insertion Tool Size 4 ( T117347 )	9A-14
BFR★	Threaded Jam Nut Receptacle (SCPBFR★)	1A-2
C8-058P	Pin Contact, Coaxial Size 8 (A12-4000-853)	9A-11
C8-058S	Socket Contact, Coaxial Size 8 (D12-4000-853)	9A-11
C8-059P	Pin Contact, Coaxial Size 8 (A12-4100-853)	9A-11
C8-059S	Socket Contact, Coaxial Size 8 (D12-4100-853)	9A-11
C8-062P	Pin Contact, Coaxial Size 8 (A12-4110-853)	9A-11
C8-062S	Socket Contact, Coaxial Size 8 (D12-4110-853)	9A-11
C8-141P	Pin Contact, Coaxial Size 8 (A12-4000-853)	9A-11
C8-141S	Socket Contact, Coaxial Size 8 (D12-4000-853)	9A-11
C8-142P	Pin Contact, Coaxial Size 8 (A12-4500-853)	9A-11
C8-142S	Socket Contact, Coaxial Size 8 (D12-4500-853)	9A-11
C8-174P	Pin Contact, Coaxial Size 8 (A12-4200-853)	9A-11
C8-174S	Socket Contact, Coaxial Size 8 (D12-4200-853)	9A-11
C8-179P	Pin Contact, Coaxial Size 8 (A12-4210-853)	9A-11
C8-179S	Socket Contact, Coaxial Size 8 (D12-4210-853)	9A-11
C8-180P	Pin Contact, Coaxial Size 8 (A12-4300-853)	9A-11
C8-180S	Socket Contact, Coaxial Size 8 (D12-4300-853)	9A-11
C16P	Crimp Tool Locator	9A-14
C16S	Crimp Tool Locator	9A-14
C17P	Crimp Tool Locator	9A-14
C17S	Crimp Tool Locator	9A-14
CA06ER★	Threaded Straight Plug (SCP06TJ★)	1A-2
CA3100A★	Threaded Wall Mount Receptacle (SCP00AJ★)	1A-2
CA3100C★	Threaded Wall Mount Receptacle (SCP00CJ★)	1A-2
CA3100E★	Threaded Wall Mount Receptacle (SCP00EJ★)	1A-2
CA3100ER★	Threaded Wall Mount Receptacle (SCP00SJ★)	1A-2
CA3100F★	Threaded Wall Mount Receptacle (SCP00GJ★)	1A-2
CA3100R★	Threaded Wall Mount Receptacle (SCP00RJ★)	1A-2
CA3101A★	Threaded In-line Receptacle (SCP01AJ★)	1A-2
CA3101E★	Threaded In-line Receptacle (SCP01EJ★)	1A-2
CA3101F★	Threaded In-line Receptacle (SCP01GJ★)	1A-2
CA3101R★	Threaded In-line Receptacle (SCP01RJ★)	1A-2

★ Indicates additional alpha- numerics are required to complete part numbers.  
**CS** Contact our Sales Department for information on this part.



CA3102A★	Threaded Wall Mount Receptacle (SCP02ZJ★)	1A-2
CA3102C★	Threaded Wall Mount Receptacle (SCP02YJ★)	1A-2
CA3102E★	Threaded Wall Mount Receptacle (SCP02YJ★)	1A-2
CA3102R★	Threaded Wall Mount Receptacle (SCP02YJ★)	1A-2
CA3106A★	Threaded Straight Plug (SCP06AJ★)	1A-2
CA3106E★	Threaded Straight Plug (SCP06EJ★)	1A-2
CA3106ER★	Threaded Straight Plug (SCP06SJ★)	1A-2
CA3106F★	Threaded Straight Plug (SCP06GJ★)	1A-2
CA3106R★	Threaded Straight Plug (SCP06RJ★)	1A-2
CA3107A★	Threaded Straight Quick Disconnect Plug (SCP07AJ★)	1A-2
CA3108A★	Threaded 90 Degree Plug (SCP08AJ★)	1A-2
CA3108E★	Threaded 90 Degree Plug (SCP08DJ★)	1A-2
CA3108R★	Threaded 90 Degree Plug (SCP08FJ★)	1A-2
CC70038	Pin Contact, Coaxial Size 8 (A12-4000-853)	9A-11
CC70040	Socket Contact, Coaxial Size 8 (D12-4000-853)	9A-11
CC70042	Socket Contact, Coaxial Size 8 (D12-4100-853)	9A-11
CC70046	Pin Contact, Coaxial Size 8 (A12-4100-853)	9A-11
CC70052	Socket Contact, Coaxial Size 8 (D12-4210-853)	9A-11
CC70054	Pin Contact, Coaxial Size 8 (A12-4210-853)	9A-11
CC70056	Pin Contact, Coaxial Size 8 (A12-4200-853)	9A-11
CC70058	Socket Contact, Coaxial Size 8 (D12-4200-853)	9A-11
CC70060	Pin Contact, Coaxial Size 8 (A12-4500-853)	9A-11
CC70062	Socket Contact, Coaxial Size 8 (D12-4500-853)	9A-11
CC70064	Pin Contact, Coaxial Size 8 (A12-4510-853)	9A-11
CC70066	Socket Contact, Coaxial Size 8 (D12-4510-853)	9A-11
CET-0	Contact Removal Tool Kit Size 1/0 ( T118280 )	9A-14
CET-4	Contact Removal Tool Kit Size 4 ( T118270 )	9A-14
CET-8	Contact Removal Tool Kit Size 8 ( T118260 )	9A-14
CET-F80-12	Contact Removal Tool Kit Size 12 ( T118250 )	9A-14
CET-F80-16	Contact Removal Tool Kit Size 16 ( T118250 )	9A-14
CIT-0	Contact Insertion Tool Size 1/0 ( T117348 )	9A-14
CIT-4	Contact Insertion Tool ( T117347 )	9A-14
CIT-8	Contact Insertion Tool ( T117344 )	9A-14
CIT-F80-12	Contact Insertion Tool ( T117082 )	9A-14
CIT-F80-16	Contact Insertion Tool ( T117345 )	9A-14
CJ1050KS★	Threaded Wall Mount Receptacle (SC50KS★)	3A-2
CJ1050KT★	Threaded Wall Mount Receptacle (SC50KT★)	3A-2
CJ1050L★	Threaded Wall Mount Receptacle (SC50L★)	3A-2
CJ1050LS★	Threaded Wall Mount Receptacle (SC50LS★)	3A-2
CJ1050W★	Threaded Wall Mount Receptacle (SC50W★)	3A-2
CJ1051L★	Threaded In-line Receptacle (SC51L★)	3A-2
CJ1051LS★	Threaded In-line Receptacle (SC51LS★)	3A-2
CJ1051W★	Threaded In-line Receptacle (SC51W★)	3A-2
CJ1052L★	Threaded Box Mount Receptacle (SC52L★)	3A-2
CJ1052LS★	Threaded Box Mount Receptacle (SC52LS★)	3A-2
CJ1052W★	Threaded Box Mount Receptacle (SC52W★)	3A-2
CJ1054KS★	Threaded Jam Nut Receptacle (SCS54KS★)	3A-2
CJ1054KT★	Threaded Jam Nut Receptacle (SCS54KT★)	3A-2
CJ1054L★	Threaded Jam Nut Receptacle (SCS54L★)	3A-2
CJ1054LS★	Threaded Jam Nut Receptacle (SCS54LS★)	3A-2
CJ1054W★	Threaded Jam Nut Receptacle (SCS54W★)	3A-2
CJ1056KS★	Threaded Straight Plug (SC56KS★)	3A-2
CJ1056KT★	Threaded Straight Plug (SC56KT★)	3A-2
CJ1056L★	Threaded Straight Plug (SC56L★)	3A-2
CJ1056LS★	Threaded Straight Plug (SC56LS★)	3A-2
CJ1056W★	Threaded Straight Plug (SC56W★)	3A-2
CJ1059KS★	Threaded Straight Plug ,Self Locking (SC59KS★)	3A-2
CJ1059KT★	Threaded Straight Plug ,Self Locking (SC59KT★)	3A-2
CJ1059L★	Threaded Straight Plug ,Self Locking (SC59L★)	3A-2
CJ1059LS★	Threaded Straight Plug ,Self Locking (SC59LS★)	3A-2
CJ1059W★	Threaded Straight Plug ,Self Locking (SC59W★)	3A-2
CR3100A★	Threaded Wall Mount Receptacle (SCP00AJ★)	1A-2
CR3101A★	Threaded In-line Receptacle (SCP01AJ★)	1A-2
CR3102A★	Threaded Box Mount Receptacle (SCP02ZJ★)	1A-2
CR3106A★	Threaded Straight Plug (SCP06AJ★)	1A-2
CS3100A★	Threaded Wall Mount Receptacle (SCP00AJ★)	1A-2
CS3100C★	Threaded Wall Mount Receptacle (SCP00CJ★)	1A-2
CS3101A★	Threaded In-line Receptacle (SCP01AJ★)	1A-2

★ Indicates additional alpha-numeric are required to complete part numbers.  
**CS** Contact our Sales Department for information on this part.

# CROSS REFERENCE/INDEX

CS3102A★	Threaded Box Mount Receptacle (SCP02ZJ★)	1A-2
CS3102C★	Threaded Box Mount Receptacle (SCP02YJ★)	1A-2
CS3106A★	Threaded Straight Plug (SCP06AJ★)	1A-2
CS3108A★	Threaded 90 Degree Plug (SCP08AJ★)	1A-2
CV3450K★	Threaded Wall Mount Receptacle (SC50K★)	3A-2
CV3450KS★	Threaded Wall Mount Receptacle (SC50KS★)	3A-2
CV3450KT★	Threaded Wall Mount Receptacle (SC50KT★)	3A-2
CV3450L★	Threaded Wall Mount Receptacle (SC50L★)	3A-2
CV3450LS★	Threaded Wall Mount Receptacle (SC50LS★)	3A-2
CV3450W★	Threaded Wall Mount Receptacle (SC50LW★)	3A-2
CV3451L★	Threaded In-line Receptacle (SC51L★)	3A-2
CV3451LS★	Threaded In-line Receptacle (SC51LS★)	3A-2
CV3451W★	Threaded In-line Receptacle (SC51W★)	3A-2
CV3452L★	Threaded Box Mount Receptacle (SC52L★)	3A-2
CV3452LS★	Threaded Box Mount Receptacle (SC52LS★)	3A-2
CV3452W★	Threaded Box Mount Receptacle (SC52W★)	3A-2
CV3454L★	Threaded Jam Nut Receptacle (SC64L★)	3A-2
CV3454LS★	Threaded Jam Nut Receptacle (SC64LS★)	3A-2
CV3454W★	Threaded Jam Nut Receptacle (SC64LW★)	3A-2
CV3456K★	Threaded Straight Plug (SC56K★)	3A-2
CV3456KS★	Threaded Straight Plug (SC56KS★)	3A-2
CV3456KT★	Threaded Straight Plug (SC56KW★)	3A-2
CV3456L★	Threaded Straight Plug (SC56L★)	3A-2
CV3456LS★	Threaded Straight Plug (SC56LS★)	3A-2
CV3456W★	Threaded Straight Plug (SC56W★)	3A-2
CV3459K★	Threaded Self-locking Straight Plug (SC59★K)	3A-2
CV3459KS★	Threaded Self-locking Straight Plug (SC59★KS)	3A-2
CV3459KT★	Threaded Self-locking Straight Plug (SC59★KT)	3A-2
CV3459L★	Threaded Self-locking Straight Plug (SC59★L)	3A-2
CV3459LS★	Threaded Self-locking Straight Plug (SC59★LS)	3A-2
CV3459W★	Threaded Self-locking Straight Plug (SC59★W)	3A-2
CWLD0R★C★	Threaded Wall Mount Receptacle (SCP17343R★C★)	7A-2
CWLD0R★N★	Threaded Wall Mount Receptacle (SCP17343R★N★)	7A-2
CWLD1R★C★	Threaded In-line Receptacle (SCP17345R★C★)	7A-2
CWLD1R★N★	Threaded In-line Receptacle (SCP17345R★N★)	7A-2
CWLD2R★C★	Threaded Box Mount Receptacle (SCP17346R★C★)	7A-2
CWLD2R★N★	Threaded Box Mount Receptacle (SCP17346R★N★)	7A-2
CWLD6R★C★	Threaded Straight Plug (SCP17344R★C★)	7A-2
CWLD6R★N★	Threaded Straight Plug (SCP17344R★N★)	7A-2
CWLD7R★C★	Threaded Jam Nut Receptacle, Box Mount (SCP17348R★C★)	7A-2
CWLD7R★N★	Threaded Jam Nut Receptacle, Box Mount (SCP17348R★N★)	7A-2
D12-4★-853	Socket Contact Coaxial Size 8.	9A-11
DAK159	Contact Insertion Tool (T117344)	9A-14
DAK168-12	Contact Insertion Tool (T117082)	9A-14
DAK168-16	Contact Insertion Tool (T117345)	9A-14
DRK59	Contact Removal Tool Kit Size 16, 12 & 8 (T118250)	9A-14
IT3101A	Threaded In-line Receptacle (SCP01A)	1A-2
IT3101F	Threaded In-line Receptacle (SCP01D)	1A-2
IT3101R	Threaded In-line Receptacle (SCP01R)	1A-2
IT3102A	Reverse Bayonet Threaded Box Mount Receptacle (SCP02Z)	1A-2
IT3102E	Reverse Bayonet Threaded Box Mount Receptacle (SCP02Y)	1A-2
IT3102R	Reverse Bayonet Threaded Box Mount Receptacle (SCP02Y)	1A-2
IT3102Y	Reverse Bayonet Threaded Box Mount Receptacle (SCP09)	1A-2
IT3106A	Reverse Bayonet Threaded Straight Plug (SCP06A)	1A-2
IT3106F	Reverse Bayonet Threaded Straight Plug (SCP06D)	1A-2
IT3106G	Reverse Bayonet Threaded Straight Plug (SCP06N)	1A-2
IT3106GR	Reverse Bayonet Threaded Straight Plug (SCP06G2G)	1A-2
IT3106R	Reverse Bayonet Threaded Straight Plug (SCP06R)	1A-2
IT3106SP	Reverse Bayonet Threaded Straight Plug (SCP06NR)	1A-2
IT3108A	Reverse Bayonet Threaded 90 Degree Plug (SCP08A)	1A-2
IT3108F	Reverse Bayonet Threaded 90 Degree Plug (SCP08F)	1A-2
IT3108R	Reverse Bayonet Threaded 90 Degree Plug (SCP08R)	1A-2
IT4100A	Threaded Wall Mount Receptacle (SCP00A★-F80)	1A-2
IT4100F	Threaded Wall Mount Receptacle (SCP00D★-F80)	1A-2
IT4100R	Threaded Wall Mount Receptacle (SCP00R★-F80)	1A-2
IT4101A	Threaded In-line Receptacle (SCP01A★-F80)	1A-2
IT4101F	Threaded In-line Receptacle (SCP01D★-F80)	1A-2
IT4101R	Threaded In-line Receptacle (SCP01R★-F80)	1A-2

★ Indicates additional alpha-numeric are required to complete part numbers.  
**CS** Contact our Sales Department for information on this part.



IT4102A	Threaded Box Mount Receptacle (SCP02Z★-F80)	1A-2
IT4102E	Threaded Box Mount Receptacle (SCP02Y★-F80)	1A-2
IT4102R	Threaded Box Mount Receptacle (SCP02Y★-F80)	1A-2
IT4102Y	Threaded Box Mount Receptacle (SCP09★-F80)	1A-2
IT4106A	Threaded Straight Plug (SCP06A★-F80)	1A-2
IT4106F	Threaded Straight Plug (SCP06D★-F80)	1A-2
IT4106G	Threaded Straight Plug (SCP06N★-F80)	1A-2
IT4106GR	Threaded Straight Plug (SCP06G2G★-F80)	1A-2
IT4106R	Threaded Straight Plug (SCP06R★-F80)	1A-2
IT4106SP	Threaded Straight Plug (SCP06NR★-F80)	1A-2
IT4108A	Threaded 90 Degree Plug (SCP08A★-F80)	1A-2
IT4108F	Threaded 90 Degree Plug (SCP08F★-F80)	1A-2
IT4108R	Threaded 90 Degree Plug (SCP08R★-F80)	1A-2
JT3450KS★	Threaded Wall Mount Receptacle (SC50KS★)	3A-2
JT3450KT★	Threaded Wall Mount Receptacle (SC50KT★)	3A-2
JT3450L★	Threaded Wall Mount Receptacle (SC50L★)	3A-2
JT3450W★	Threaded Wall Mount Receptacle (SC50W★)	3A-2
JT3451L★	Threaded In-line Receptacle (SC51L★)	3A-2
JT3451W★	Threaded In-line Receptacle (SC51W★)	3A-2
JT3452L★	Threaded Box Mount Receptacle (SC52L★)	3A-2
JT3452W★	Threaded Box Mount Receptacle (SC52W★)	3A-2
JT3454L★	Threaded Jam Nut Receptacle (SC54L★)	3A-2
JT3454W★	Threaded Jam Nut Receptacle (SC54L★)	3A-2
JT3456KS★	Threaded Straight Plug (SC56KS★)	3A-2
JT3456KT★	Threaded Straight Plug (SC56KT★)	3A-2
JT3456L★	Threaded Straight Plug (SC56L★)	3A-2
JT3456W★	Threaded Straight Plug (SC56W★)	3A-2
M00D★	Threaded Wall Mount Receptacle, Crimp Front Release (SC30D★)	2A-2
M00DS★	Threaded Wall Mount Receptacle, Crimp Front Release (SC30DS★)	2A-2
M00KS★	Threaded Wall Mount Receptacle, Crimp Front Release (SC30KS★)	2A-2
M00KT★	Threaded Wall Mount Receptacle, Crimp Front Release (SC30KT★)	2A-2
M01D★	Threaded In-line Receptacle, Crimp Front Release (SC31D★)	2A-2
M01DS★	Threaded In-line Receptacle, Crimp Front Release (SC31DS★)	2A-2
M02D★	Threaded Box Mount Receptacle, Crimp Front Release (SC32D★)	2A-2
M02DS★	Threaded Box Mount Receptacle, Crimp Front Release (SC32DS★)	2A-2
M04D★	Threaded Jam Nut Receptacle, Crimp Front Release (SC34D★)	2A-2
M04DS★	Threaded Jam Nut Receptacle, Crimp Front Release (SC34DS★)	2A-2
M06D★	Threaded Straight Plug, Crimp Front Release (SC36D★)	2A-2
M06DS★	Threaded Straight Plug, Crimp Front Release (SC36DS★)	2A-2
M06KS★	Threaded Straight Plug, Crimp Front Release (SC36KS★)	2A-2
M06KT★	Threaded Straight Plug, Crimp Front Release (SC36KT★)	2A-2
M08D★	Threaded 90 Degree Plug, Crimp Front Release (SC38D★)	2A-2
M08DS★	Threaded 90 Degree Plug, Crimp Front Release (SC38DS★)	2A-2
M09D★	Threaded 45 Degree Plug, Crimp Front Release (SC39D★)	2A-2
M09DS★	Threaded 45 Degree Plug, Crimp Front Release (SC39DS★)	2A-2
M12D★	Threaded Box Mount Receptacle, Crimp Front Release (SC32D★)	2A-2
M12DS★	Threaded Box Mount Receptacle, Crimp Front Release (SC32DS★)	2A-2
M50K★	Threaded Wall Mount Receptacle (SC50K★)	3A-2
M50L★	Threaded Wall Mount Receptacle (SC50L★)	3A-2
M50W★	Threaded Wall Mount Receptacle (SC50W★)	3A-2
M51L★	Threaded In-line Receptacle (SC51L★)	3A-2
M51W★	Threaded In-line Receptacle (SC51W★)	3A-2
M52L★	Threaded Box Mount Receptacle (SC52L★)	3A-2
M52W★	Threaded Box Mount Receptacle (SC52W★)	3A-2
M54L★	Threaded Jam Nut Receptacle (SC54L★)	3A-2
M54W★	Threaded Jam Nut Receptacle (SC54W★)	3A-2
M56K★	Threaded Straight Plug (SC56K★)	3A-2
M56L★	Threaded Straight Plug (SC56L★)	3A-2
M56W★	Threaded Straight Plug (SC56W★)	3A-2
M3400D★	Threaded Wall Mount Receptacle, Crimp Front Release (SC30D★)	2A-2
M3400DS★	Threaded Wall Mount Receptacle, Crimp Front Release (SC30DS★)	2A-2
M3400W★	Threaded Wall Mount Receptacle, Crimp Front Release (SC30W★)	2A-2
M3401D★	Threaded In-line Receptacle, Crimp Front Release (SC31D★)	2A-2
M3401DS★	Threaded In-line Receptacle, Crimp Front Release (SC31DS★)	2A-2
M3401W★	Threaded In-line Receptacle, Crimp Front Release (SC31W★)	2A-2
M3402D★	Threaded Box Mount Receptacle, Crimp Front Release (SC32D★)	2A-2
M3402DS★	Threaded Box Mount Receptacle, Crimp Front Release (SC32DS★)	2A-2
M3402W★	Threaded Box Mount Receptacle, Crimp Front Release (SC32W★)	2A-2

★ Indicates additional alpha-numeric are required to complete part numbers.  
**CS** Contact our Sales Department for information on this part.

# CROSS REFERENCE/INDEX

M3404D★	Threaded Jam Nut Receptacle, Crimp Front Release (SC34D★)	2A-2
M3404DS★	Threaded Jam Nut Receptacle, Crimp Front Release (SC34DS★)	2A-2
M3404W★	Threaded Jam Nut Receptacle, Crimp Front Release (SC34W★)	2A-2
M3406D★	Threaded Straight Plug, Crimp Front Release (SC36D★)	2A-2
M3406DS★	Threaded Straight Plug, Crimp Front Release (SC36DS★)	2A-2
M3406W★	Threaded Straight Plug, Crimp Front Release (SC36W★)	2A-2
M3408D★	Threaded 90 Degree Plug, Crimp Front Release (SC38D★)	2A-2
M3408DS★	Threaded 90 Degree Plug, Crimp Front Release (SC38DS★)	2A-2
M3409D★	Threaded 45 Degree Plug, Crimp Front Release (SC39D★)	2A-2
M3409DS★	Threaded 45 Degree Plug, Crimp Front Release (SC39DS★)	2A-2
M3412D★	Threaded Box Mount, Crimp Front Release (SC32D★)	2A-2
M3412DS★	Threaded Box Mount, Crimp Front Release (SC32DS★)	2A-2
M3412W★	Threaded Box Mount, Crimp Front Release (SC32W★)	2A-2
M3450KS★	Threaded Wall Mount Receptacle (SC50KS★)	3A-2
M3450KT★	Threaded Wall Mount Receptacle (SC50KT★)	3A-2
M3450L★	Threaded Wall Mount Receptacle (SC50L★)	3A-2
M3450LS★	Threaded Wall Mount Receptacle (SC50LS★)	3A-2
M3450W★	Threaded Wall Mount Receptacle (SC50W★)	3A-2
M3451L★	Threaded In-line Receptacle (SC51L★)	3A-2
M3451LS★	Threaded In-line Receptacle (SC51LS★)	3A-2
M3451W★	Threaded In-line Receptacle (SC51W★)	3A-2
M3452L★	Threaded Box Mount Receptacle (SC52L★)	3A-2
M3452LS★	Threaded Box Mount Receptacle (SC52LS★)	3A-2
M3452W★	Threaded Box Mount Receptacle (SC52W★)	3A-2
M3454L★	Threaded Jam Nut Receptacle (SC54L★)	3A-2
M3454LS★	Threaded Jam Nut Receptacle (SC54LS★)	3A-2
M3454W★	Threaded Jam Nut Receptacle (SC54W★)	3A-2
M3456KS★	Threaded Straight Plug (SC56KS★)	3A-2
M3456KT★	Threaded Straight Plug (SC56KT★)	3A-2
M3456L★	Threaded Straight Plug (SC56L★)	3A-2
M3456LS★	Threaded Straight Plug (SC56LS★)	3A-2
M3456W★	Threaded Straight Plug (SC56W★)	3A-2
M39029/29-212	MIL-C-39029 Pin Contact, Size 16	3A-6
M39029/29-213	MIL-C-39029 Pin Contact, Size 12	3A-6
M39029/29-214	MIL-C-39029 Pin Contact, Size 8	3A-6
M39029/29-215	MIL-C-39029 Pin Contact, Size 4	3A-6
M39029/29-216	MIL-C-39029 Pin Contact, Size 1/0	3A-6
M39029/30-217	MIL-C-39029 Socket Contact, Size 16S	3A-6
M39029/30-218	MIL-C-39029 Socket Contact, Size 16	3A-6
M39029/30-219	MIL-C-39029 Socket Contact, Size 12	3A-6
M39029/30-220	MIL-C-39029 Socket Contact, Size 8	3A-6
M39029/30-221	MIL-C-39029 Socket Contact, Size 4	3A-6
M39029/30-222	MIL-C-39029 Socket Contact, Size 1/0	3A-6
M39029/44-287	MIL-C-39029 Pin Contact, Size 16	2A-10
M39029/44-288	MIL-C-39029 Pin Contact, Size 16	2A-10
M39029/44-289	MIL-C-39029 Pin Contact, Size 12	2A-10
M39029/44-290	MIL-C-39029 Pin Contact, Size 12	2A-10
M39029/44-291	MIL-C-39029 Pin Contact, Size 8	2A-10
M39029/44-292	MIL-C-39029 Pin Contact, Size 4	2A-10
M39029/44-293	MIL-C-39029 Pin Contact, Size 1/0	2A-10
M39029/45-294	MIL-C-39029 Socket Contact, Size 16	2A-10
M39029/45-295	MIL-C-39029 Socket Contact, Size 16	2A-10
M39029/45-296	MIL-C-39029 Socket Contact, Size 12	2A-10
M39029/45-297	MIL-C-39029 Socket Contact, Size 12	2A-10
M39029/45-298	MIL-C-39029 Socket Contact, Size 8	2A-10
M39029/45-299	MIL-C-39029 Socket Contact, Size 4	2A-10
M39029/45-300	MIL-C-39029 Socket Contact, Size 1/0	2A-10
M117082	Contact Insertion Tool ( T117082 )	9A-14
M117344	Contact Insertion Tool ( T117344 )	9A-14
M117345	Contact Insertion Tool ( T117345 )	9A-14
M117346	Contact Insertion Tool ( T117346 )	9A-14
M117347	Contact Insertion Tool ( T117347 )	9A-14
M117348	Contact Insertion Tool ( T117348 )	9A-14
M118249	Contact Removal Tool Kit Size 18 ( T118249 )	9A-14
M118250	Contact Removal Tool Kit Size 16, 12 & 8 ( T118250 )	9A-14
M118270	Contact Removal Tool Kit Size 4 ( T118270 )	9A-14
M118280	Contact Removal Tool Kit Size 1 / 0 ( T118280 )	9A-14
M125000	Contact Guide Pin Size 18 ( T125000 )	9A-14

★ Indicates additional alpha- numerics are required to complete part numbers.  
 CS Contact our Sales Department for information on this part.



M125001	Contact Guide Pin Size 16 ( T125001 ) . . . . .	9A-14
M125002	Contact Guide Pin Size 12 (T125002) . . . . .	9A-14
M125003	Contact Guide Pin Size 8 ( T125003 ) . . . . .	9A-14
M22520/1-01	Crimp Tool Frame . . . . .	9A-12
MS3100A★	MIL-DTL-5015 Wall Mount Receptacle (SCP00AJ★) . . . . .	1A-2
MS3100C★	MIL-DTL-5015 Wall Mount Receptacle (SCP00CJ★) . . . . .	1A-2
MS3100E★	MIL-DTL-5015 Wall Mount Receptacle (SCP00EJ★) . . . . .	1A-2
MS3100F★	MIL-DTL-5015 Wall Mount Receptacle (SCP00GJ★) . . . . .	1A-2
MS3100R★	MIL-DTL-5015 Wall Mount Receptacle (SCP00RJ★) . . . . .	1A-2
MS3101A★	MIL-DTL-5015 In Line Receptacle (SCP01AJ★) . . . . .	1A-2
MS3101E★	MIL-DTL-5015 In Line Receptacle (SCP01EJ★) . . . . .	1A-2
MS3101F★	MIL-DTL-5015 In Line Receptacle (SCP01GJ★) . . . . .	1A-2
MS3102A★	MIL-DTL-5015 Box Mount Receptacle (SCP02ZJ★) . . . . .	1A-2
MS3102C★	MIL-DTL-5015 Box Mount Receptacle (SCP02YJ★) . . . . .	1A-2
MS3102R★	MIL-DTL-5015 Box Mount Receptacle (SCP02YJ★) . . . . .	1A-2
MS3103-★	MIL-DTL-5015 Wall Mount Receptacle (SCP00SJ★) . . . . .	1A-2
MS3106A★	MIL-DTL-5015 Straight Plug (SCP06AJ★) . . . . .	1A-2
MS3106E★	MIL-DTL-5015 Straight Plug (SCP06EJ★) . . . . .	1A-2
MS3106F★	MIL-DTL-5015 Straight Plug (SCP06GJ★) . . . . .	1A-2
MS3106R★	MIL-DTL-5015 Straight Plug (SCP06RJ★) . . . . .	1A-2
MS3107A★	MIL-DTL-5015 Quick Disconnect Plug (SCP07AJ★) . . . . .	1A-2
MS3108A★	MIL-DTL-5015 90 Degree Plug (SCP08AJ★) . . . . .	1A-2
MS3108E★	MIL-DTL-5015 90 Degree Plug (SCP08DJ★) . . . . .	1A-2
MS3108R★	MIL-DTL-5015 90 Degree Plug (SCP08FJ★) . . . . .	1A-2
MS3191★	Crimp Tool Frame . . . . .	9A-12
MS3348-0-2	Crimp Adapter (907-2190-110) . . . . .	9A-8
MS3348-4/0-2/0	Crimp Adapter (907-2220-110) . . . . .	9A-8
MS3348-4-5L	Crimp Adapter (907-2130-110) . . . . .	9A-8
MS3348-4-6	Crimp Adapter (907-2118-110) . . . . .	9A-8
MS3348-4-6L	Crimp Adapter (907-2119-110) . . . . .	9A-8
MS3348-4-8L	Crimp Adapter (907-2111-110) . . . . .	9A-8
MS3348-6-10L	Crimp Adapter (907-2080-110) . . . . .	9A-8
MS3348-6-8L	Crimp Adapter (907-2100-110) . . . . .	9A-8
MS3348-6-9L	Crimp Adapter (907-2090-110) . . . . .	9A-8
MS3348-8-10	Crimp Adapter (907-2070-110) . . . . .	9A-8
MS3400D★	MIL-DTL-5015 Wall Mount Receptacle, Crimp Front Release (SC30D★) . . . . .	2A-2
MS3400DS★	MIL-DTL-5015 Wall Mount Receptacle, Crimp Front Release (SC30DS★) . . . . .	2A-2
MS3400KS★	MIL-DTL-5015 Wall Mount Receptacle, Crimp Front Release (SC30KS★) . . . . .	2A-2
MS3400KT★	MIL-DTL-5015 Wall Mount Receptacle, Crimp Front Release (SC30KT★) . . . . .	2A-2
MS3400W★	MIL-DTL-5015 Wall Mount Receptacle, Crimp Front Release (SC30W★) . . . . .	2A-2
MS3401D★	MIL-DTL-5015 In-line Receptacle, Crimp Front Release (SC31D★) . . . . .	2A-2
MS3401DS★	MIL-DTL-5015 In-line Receptacle, Crimp Front Release (SC31DS★) . . . . .	2A-2
MS3401W★	MIL-DTL-5015 In-line Receptacle, Crimp Front Release (SC31W★) . . . . .	2A-2
MS3402D★	MIL-DTL-5015 Box Mount Receptacle, Crimp Front Release (SC32D★) . . . . .	2A-2
MS3402DS★	MIL-DTL-5015 Box Mount Receptacle, Crimp Front Release (SC32DS★) . . . . .	2A-2
MS3402W★	MIL-DTL-5015 Box Mount Receptacle, Crimp Front Release (SC32W★) . . . . .	2A-2
MS3404D★	MIL-DTL-5015 Jam Nut Receptacle, Crimp Front Release (SC34D★) . . . . .	2A-2
MS3404DS★	MIL-DTL-5015 Jam Nut Receptacle, Crimp Front Release (SC34DS★) . . . . .	2A-2
MS3404W★	MIL-DTL-5015 Jam Nut Receptacle, Crimp Front Release (SC34W★) . . . . .	2A-2
MS3406D★	MIL-DTL-5015 Straight Plug, Crimp Front Release (SC36D★) . . . . .	2A-2
MS3406DS★	MIL-DTL-5015 Straight Plug, Crimp Front Release (SC36DS★) . . . . .	2A-2
MS3406KS★	MIL-DTL-5015 Straight Plug, Crimp Front Release (SC36KS★) . . . . .	2A-2
MS3406KT★	MIL-DTL-5015 Straight Plug, Crimp Front Release (SC36KT★) . . . . .	2A-2
MS3406W★	MIL-DTL-5015 Straight Plug, Crimp Front Release (SC36W★) . . . . .	2A-2
MS3408D★	MIL-DTL-5015 90 Degree Plug, Crimp Front Release (SC38D★) . . . . .	2A-2
MS3408DS★	MIL-DTL-5015 90 Degree Plug, Crimp Front Release (SC38DS★) . . . . .	2A-2
MS3409D★	MIL-DTL-5015 45 Degree Plug, Crimp Front Release (SC39D★) . . . . .	2A-2
MS3409DS★	MIL-DTL-5015 45 Degree Plug, Crimp Front Release (SC39DS★) . . . . .	2A-2
MS3412D★	MIL-DTL-5015 Box Mount, ReceptacleCrimp Front Release (SC32D★) . . . . .	2A-2
MS3412DS★	MIL-DTL-5015 Box Mount Receptacle, Crimp Front Release (SC32DS★) . . . . .	2A-2
MS3412W★	MIL-DTL-5015 Box Mount Receptacle, Crimp Front Release (SC32W★) . . . . .	2A-2
MS3450K★	MIL-DTL-5015 Wall Mount Receptacle (SC50K★) . . . . .	3A-2
MS3450KS★	MIL-DTL-5015 Wall Mount Receptacle (SC50KS★) . . . . .	3A-2
MS3450KT★	MIL-DTL-5015 Wall Mount Receptacle (SC50KT★) . . . . .	3A-2
MS3450L★	MIL-DTL-5015 Wall Mount Receptacle (SC50L★) . . . . .	3A-2
MS3450LS★	MIL-DTL-5015 Wall Mount Receptacle (SC50LS★) . . . . .	3A-2
MS3450W★	MIL-DTL-5015 Wall Mount Receptacle (SC50W★) . . . . .	3A-2
MS3451L★	MIL-DTL-5015 In-line Receptacle (SC51L★) . . . . .	3A-2

★ Indicates additional alpha-numeric are required to complete part numbers.  
**CS** Contact our Sales Department for information on this part.

# CROSS REFERENCE/INDEX

MS3451LS★	MIL-DTL-5015 In-line Receptacle (SC51LS★)	3A-2
MS3451W★	MIL-DTL-5015 In-line Receptacle (SC51W★)	3A-2
MS3452L★	MIL-DTL-5015 Box Mount Receptacle (SC52L★)	3A-2
MS3452LS★	MIL-DTL-5015 Box Mount Receptacle (SC52LS★)	3A-2
MS3452W★	MIL-DTL-5015 Box Mount Receptacle (SC52W★)	3A-2
MS3454L★	MIL-DTL-5015 Jam Nut Receptacle (SC54L★)	3A-2
MS3454LS★	MIL-DTL-5015 Jam Nut Receptacle (SC54LS★)	3A-2
MS3454W★	MIL-DTL-5015 Jam Nut Receptacle (SC54W★)	3A-2
MS3456K★	MIL-DTL-5015 Straight Plug (SC56K★)	3A-2
MS3456KS★	MIL-DTL-5015 Straight Plug (SC56KS★)	3A-2
MS3456KT★	MIL-DTL-5015 Straight Plug (SC56KT★)	3A-2
MS3456L★	MIL-DTL-5015 Straight Plug (SC56L★)	3A-2
MS3456LS★	MIL-DTL-5015 Straight Plug (SC56LS★)	3A-2
MS3456W★	MIL-DTL-5015 Straight Plug (SC56W★)	3A-2
MS3459K★	MIL-DTL-5015 Self-locking Straight Plug (SC59K★)	3A-2
MS3459KS★	MIL-DTL-5015 Self-locking Straight Plug (SC59KS★)	3A-2
MS3459KT★	MIL-DTL-5015 Self-locking Straight Plug (SC59KT★)	3A-2
MS3459L★	MIL-DTL-5015 Self-locking Straight Plug (SC59L★)	3A-2
MS3459LS★	MIL-DTL-5015 Self-locking Straight Plug (SC59LS★)	3A-2
MS3459W★	MIL-DTL-5015 Self-locking Straight Plug (SC59W★)	3A-2
MS17343C★C★	MIL-DTL-22992 Mount Receptacle (SCP17343C★C★)	7A-2
MS17343C★N★	MIL-DTL-22992 Wall Mount Receptacle (SCP17343C★N★)	7A-2
MS17343R★C★	MIL-DTL-22992 Wall Mount Receptacle (SCP17343R★C★)	7A-2
MS17343R★N★	MIL-DTL-22992 Wall Mount Receptacle (SCP17343R★N★)	7A-2
MS17344C★C★	MIL-DTL-22992 Straight Plug (SCP17344C★C★)	7A-2
MS17344C★N★	MIL-DTL-22992 Straight Plug (SCP17344C★N★)	7A-2
MS17344R★C★	MIL-DTL-22992 Straight Plug (SCP17344R★C★)	7A-2
MS17344R★N★	MIL-DTL-22992 Straight Plug (SCP17344R★N★)	7A-2
MS17345C★C★	MIL-DTL-22992 In-line Receptacle (SCP17345C★C★)	7A-2
MS17345C★N★	MIL-DTL-22992 In-line Receptacle (SCP17345C★N★)	7A-2
MS17345R★C★	MIL-DTL-22992 In-line Receptacle (SCP17345R★C★)	7A-2
MS17345R★N★	MIL-DTL-22992 In-line Receptacle (SCP17345R★N★)	7A-2
MS17346C★C★	MIL-DTL-22992 Box Mount Receptacle (SCP17346C★C★)	7A-2
MS17346C★N★	MIL-DTL-22992 Box Mount Receptacle (SCP17346C★N★)	7A-2
MS17346R★C★	MIL-DTL-22992 Box Mount Receptacle (SCP17346R★C★)	7A-2
MS17346R★N★	MIL-DTL-22992 Box Mount Receptacle (SCP17346R★N★)	7A-2
MS17347C★C★	MIL-DTL-22992 Jam Nut Receptacle (SCP17347C★C★)	7A-2
MS17347C★N★	MIL-DTL-22992 Jam Nut Receptacle (SCP17347C★N★)	7A-2
MS17347R★C★	MIL-DTL-22992 Jam Nut Receptacle (SCP17347R★C★)	7A-2
MS17347R★N★	MIL-DTL-22992 Jam Nut Receptacle (SCP17347R★N★)	7A-2
MS17348C★C★	MIL-DTL-22992 Jam Nut Receptacle (SCP17348C★C★)	7A-2
MS17348C★N★	MIL-DTL-22992 Jam Nut Receptacle (SCP17348C★N★)	7A-2
MS17348R★C★	MIL-DTL-22992 Jam Nut Receptacle (SCP17348R★C★)	7A-2
MS17348R★N★	MIL-DTL-22992 Jam Nut Receptacle (SCP17348R★N★)	7A-2
MS25183-★	MIL-DTL-5015 Straight Plug (SCP06SJ★)	1A-2
MS25183A★	MIL-DTL-5015 Straight Plug (SCP06TJ★)	1A-2
P12-3800-000	Pin Contact, Size 16, Aludel	9A-3
P12-3800-010	Pin Contact, Size 16, Chromel	9A-3
P12-3800-020	Pin Contact, Size 16, Iron	9A-3
P12-3800-040	Pin Contact, Size 16, Constantan	9A-3
P12-3800-310	Pin Contact, Size 16	9A-3
P12-3800-315	Pin Contact, Size 16	9A-3
P12-5100-000	Pin Contact, Size 16S, Aludel	9A-3
P12-5100-010	Pin Contact, Size 16S, Chromel	9A-3
P12-5100-020	Pin Contact, Size 16S, Iron	9A-3
P12-5100-040	Pin Contact, Size 16S, Constantan	9A-3
P12-5100-310	Pin Contact, Size 16S	9A-3
P12-5100-315	Pin Contact, Size 16S	9A-3
P12-6500-000	Pin Contact, Size 12, Aludel	9A-3
P12-6500-010	Pin Contact, Size 12, Chromel	9A-3
P12-6500-020	Pin Contact, Size 12, Iron	9A-3
P12-6500-040	Pin Contact, Size 12, Constantan	9A-3
P12-6500-310	Pin Contact, Size 12	9A-3
P12-6500-315	Pin Contact, Size 12	9A-3
P12-7900-310	Pin Contact, Size 8	9A-3
P12-7900-315	Pin Contact, Size 8	9A-3
P12-8500-310	Pin Contact, Size 4	9A-3
P12-8500-315	Pin Contact, Size 4	9A-3

★ Indicates additional alpha- numerics are required to complete part numbers.  
**CS** Contact our Sales Department for information on this part.



P12-9200-310	Pin Contact, Size 1/0	9A-3
P12-9200-315	Pin Contact, Size 1/0	9A-3
QWLD00C★C★	Threaded Wall Mount Receptacle (SCP17343C★C★)	7A-2
QWLD00C★N★	Threaded Wall Mount Receptacle (SCP17343C★N★)	7A-2
QWLD00R★C★	Threaded Wall Mount Receptacle (SCP17343R★C★)	7A-2
QWLD00R★N★	Threaded Wall Mount Receptacle (SCP17343R★N★)	7A-2
QWLD01C★C★	Threaded In-line Receptacle (SCP17345C★C★)	7A-2
QWLD01C★N★	Threaded In-line Receptacle (SCP17345C★N★)	7A-2
QWLD01R★C★	Threaded In-line Receptacle (SCP17345R★C★)	7A-2
QWLD01R★N★	Threaded In-line Receptacle (SCP17345R★N★)	7A-2
QWLD02C★C★	Threaded Box Mount Receptacle (SCP17346C★C★)	7A-2
QWLD02C★N★	Threaded Box Mount Receptacle (SCP17346C★N★)	7A-2
QWLD02R★C★	Threaded Box Mount Receptacle (SCP17346R★C★)	7A-2
QWLD02R★N★	Threaded Box Mount Receptacle (SCP17346R★N★)	7A-2
QWLD03C★C★	Threaded Jam Nut Receptacle, Wall Mount (SCP17347C★C★)	7A-2
QWLD03C★N★	Threaded Jam Nut Receptacle, Wall Mount (SCP17347C★N★)	7A-2
QWLD03R★C★	Threaded Jam Nut Receptacle, Wall Mount (SCP17347R★C★)	7A-2
QWLD03R★N★	Threaded Jam Nut Receptacle, Wall Mount (SCP17347R★N★)	7A-2
QWLD06C★C★	Threaded Straight Plug (SCP17344C★C★)	7A-2
QWLD06C★N★	Threaded Straight Plug (SCP17344C★N★)	7A-2
QWLD06R★C★	Threaded Straight Plug (SCP17344R★C★)	7A-2
QWLD06R★N★	Threaded Straight Plug (SCP17344R★N★)	7A-2
QWLD09C★G★	Threaded Jam Nut Receptacle, Box Mount (SCP17348C★C★)	7A-2
QWLD09C★N★	Threaded Jam Nut Receptacle, Box Mount (SCP17348C★N★)	7A-2
QWLD09R★G★	Threaded Jam Nut Receptacle, Box Mount (SCP17348R★C★)	7A-2
QWLD09R★N★	Threaded Jam Nut Receptacle, Box Mount (SCP17348R★N★)	7A-2
R12-2500-★	Pin Contact, Size 18	9A-4
R12-3600-★	Pin Contact, Size 16	9A-4
R12-3608-★	Pin Contact, Size 16	9A-4
R12-3612-★	Pin Contact, Size 16	9A-4
R12-3613-★	Pin Contact, Size 16	9A-4
R12-3615-★	Pin Contact, Size 16	9A-4
R12-3620-★	Pin Contact, Size 16	9A-4
R12-3626-★	Pin Contact, Size 16	9A-4
R12-4900-★	Pin Contact, Size 16S	9A-4
R12-4912-★	Pin Contact, Size 16S	9A-4
R12-4913-★	Pin Contact, Size 16S	9A-4
R12-4915-★	Pin Contact, Size 16S	9A-4
R12-4926-★	Pin Contact, Size 16S	9A-4
R12-6400-★	Pin Contact, Size 12	9A-4
R12-6408-★	Pin Contact, Size 12	9A-4
R12-6412-★	Pin Contact, Size 12	9A-4
R12-6415-★	Pin Contact, Size 12	9A-4
R12-6420-★	Pin Contact, Size 12	9A-4
R12-6422-★	Pin Contact, Size 12	9A-4
R12-6430-★	Pin Contact, Size 12	9A-5
R12-6431-★	Pin Contact, Size 12	9A-5
R12-6438-★	Pin Contact, Size 12	9A-5
R12-7900-★	Pin Contact, Size 8	9A-5
R12-7915-★	Pin Contact, Size 8	9A-5
R12-7918-★	Pin Contact, Size 8	9A-5
R12-7926-★	Pin Contact, Size 8	9A-5
R12-7930-★	Pin Contact, Size 8	9A-5
R12-7950-★	Pin Contact, Size 8	9A-5
R12-7958-★	Pin Contact, Size 8	9A-5
R12-8500-★	Pin Contact, Size 4	9A-5
R12-8522-★	Pin Contact, Size 4	9A-5
R12-8525-★	Pin Contact, Size 4	9A-5
R12-8526-★	Pin Contact, Size 4	9A-5
R12-8530-★	Pin Contact, Size 4	9A-5
R12-8535-★	Pin Contact, Size 4	9A-5
R12-8550-★	Pin Contact, Size 4	9A-5
R12-8562-★	Pin Contact, Size 4	9A-5
R12-9200-★	Pin Contact, Size 1/0	9A-5
R12-9225-★	Pin Contact, Size 1/0	9A-5
R12-9235-★	Pin Contact, Size 1/0	9A-5
R12-9245-★	Pin Contact, Size 1/0	9A-5
R12-9246-★	Pin Contact, Size 1/0	9A-5

★ Indicates additional alpha-numeric are required to complete part numbers.  
**CS** Contact our Sales Department for information on this part.

# CROSS REFERENCE/INDEX

R12-9250-★	Pin Contact, Size 1/0	9A-5
R12-9275-★	Pin Contact, Size 1/0	9A-5
R12-9790-★	Pin Contact, Size 4/0	9A-5
R12-9700-★	Pin Contact, Size 4/0	9A-5
R12-97115-★	Pin Contact, Size 4/0	9A-5
R12-97135-★	Pin Contact, Size 4/0	9A-5
R12-9790-★	Pin Contact, Size 4/0	9A-5
S12-3800-★	Socket Contact, Size 16	9A-3
S12-5100-★	Socket Contact, Size 16S	9A-3
S12-6500-★	Socket Contact, Size 12	9A-3
S12-7900-★	Socket Contact, Size 8	9A-3
S12-8500-★	Socket Contact, Size 4	9A-3
S12-9200-★	Socket Contact, Size 1/0	9A-3
SC00P★	Threaded Wall Mount Receptacle (SCP06SJ★)	1A-2
SC06P★	Threaded Straight Plug (SCP00SJ★)	1A-2
SC06P★(G)	Threaded Straight Plug (SCP00TJ★)	1A-2
SC30D★	Threaded Wall Mount Receptacle	2A-2
SC30DS★	Threaded Wall Mount Receptacle	2A-2
SC30KS★	Threaded Wall Mount Receptacle	2A-2
SC30KT★	Threaded Wall Mount Receptacle	2A-2
SC30LS★	Threaded Wall Mount Receptacle	2A-2
SC30SV★	Wall Mount Receptacle with Integrated Backshell	2A-2
SC30W★	Threaded Wall Mount Receptacle	2A-2
SC31D★	Threaded In-line Receptacle	2A-2
SC31DS★	Threaded In-line Receptacle	2A-2
SC31LS★	Threaded In-line Receptacle	2A-2
SC31SV★	In-Line Receptacle with Integrated Backshell	2A-2
SC31W★	Threaded In-line Receptacle	2A-2
SC32D★	Threaded Box Mount Receptacle	2A-2
SC32DS★	Threaded Box Mount Receptacle	2A-2
SC32LS★	Threaded Box Mount Receptacle	2A-2
SC32W★	Threaded Box Mount Receptacle	2A-2
SC33D★	Threaded Box Mount Receptacle, Threaded Rear Skirt	2A-2
SC33DS★	Threaded Box Mount Receptacle, Threaded Rear Skirt	2A-2
SC33LS★	Threaded Box Mount Receptacle, Threaded Rear Skirt	2A-2
SC33W★	Threaded Box Mount Receptacle, Threaded Rear Skirt	2A-2
SC34D★	Threaded Jam Nut Receptacle	2A-2
SC34DS★	Threaded Jam Nut Receptacle	2A-2
SC34LS★	Threaded Jam Nut Receptacle	2A-2
SC34SV★	Jam Nut Receptacle with Integrated Backshell	2A-2
SC34W★	Threaded Jam Nut Receptacle	2A-2
SC36D★	Threaded Straight Plug	2A-2
SC36DS★	Threaded Straight Plug	2A-2
SC36KS★	Threaded Straight Plug	2A-2
SC36KT★	Threaded Straight Plug	2A-2
SC36LS★	Threaded Straight Plug	2A-2
SC36SV★	Straight Plug with Integrated Backshell	2A-2
SC36W★	Threaded Straight Plug	2A-2
SC37D★	Threaded Self-locking Straight Plug	2A-2
SC37DS★	Threaded Self-locking Straight Plug	2A-2
SC37KS★	Threaded Self-locking Straight Plug	2A-2
SC37KT★	Threaded Self-locking Straight Plug	2A-2
SC37L★	Threaded Self-locking Straight Plug	2A-2
SC37LS★	Threaded Self-locking Straight Plug	2A-2
SC37SV★	Straight Plug Self-Locking with Integrated Backshell	2A-2
SC37W★	Threaded Self-locking Straight Plug	2A-2
SC38D★	Threaded 90 Degree Plug	2A-2
SC38DS★	Threaded 90 Degree Plug	2A-2
SC38LS★	Threaded 90 Degree Plug	2A-2
SC38W★	Threaded 90 Degree Plug	2A-2
SC396D★	Threaded 45 Degree Plug	2A-2
SC39DS★	Threaded 45 Degree Plug	2A-2
SC39LS★	Threaded 45 Degree Plug	2A-2
SC39W★	Threaded 45 Degree Plug	2A-2
SC50K★	Threaded Wall Mount Receptacle	3A-2
SC50KS★	Threaded Wall Mount Receptacle	3A-2
SC50KT★	Threaded Wall Mount Receptacle	3A-2
SC50L★	Threaded Wall Mount Receptacle	3A-2

★ Indicates additional alpha- numerics are required to complete part numbers.  
**CS** Contact our Sales Department for information on this part.



SC50LS★	Threaded Wall Mount Receptacle . . . . .	3A-2
SC50SV★	Wall Mount Receptacle with Integrated Backshell. . . . .	3A-2
SC50W★	Threaded Wall Mount Receptacle . . . . .	3A-2
SC51L★	Threaded In-line Receptacle . . . . .	3A-2
SC51LS★	Threaded In-line Receptacle . . . . .	3A-2
SC51SV★	In-Line Receptacle with Integrated Backshell . . . . .	3A-2
SC51W★	Threaded In-line Receptacle . . . . .	3A-2
SC52L★	Threaded Box Mount Receptacle. . . . .	3A-2
SC52LS★	Threaded Box Mount Receptacle. . . . .	3A-2
SC52W★	Threaded Box Mount Receptacle. . . . .	3A-2
SC54L★	Threaded Jam Nut Receptacle. . . . .	3A-2
SC54LS★	Threaded Jam Nut Receptacle. . . . .	3A-2
SC54SV★	Jam Nut Receptacle with Integrated Backshell . . . . .	3A-2
SC54W★	Threaded Jam Nut Receptacle. . . . .	3A-2
SC56K★	Threaded Straight Plug . . . . .	3A-2
SC56KS★	Threaded Straight Plug . . . . .	3A-2
SC56KT★	Threaded Straight Plug . . . . .	3A-2
SC56L★	Threaded Straight Plug . . . . .	3A-2
SC56LS★	Threaded Straight Plug . . . . .	3A-2
SC56SV★	Straight Plug with Integrated Backshell. . . . .	3A-2
SC56W★	Threaded Straight Plug . . . . .	3A-2
SC59K★	Threaded Self-locking Straight Plug. . . . .	3A-2
SC59KS★	Threaded Self-locking Straight Plug. . . . .	3A-2
SC59KT★	Threaded Self-locking Straight Plug. . . . .	3A-2
SC59L★	Threaded Self-locking Straight Plug. . . . .	3A-2
SC59LS★	Threaded Self-locking Straight Plug. . . . .	3A-2
SC59SV★	Straight Plug Self-Locking with Integrated Backshell. . . . .	3A-2
SC59W★	Threaded Self-locking Straight Plug. . . . .	3A-2
SCP00★	Threaded Wall Mount Receptacle . . . . .	1A-2
SCP00SV★	Wall Mount Receptacle with Integrated Backshell. . . . .	1A-2
SCP01★	Threaded In-line Receptacle . . . . .	1A-2
SCP01SV★	In-Line Receptacle with Integrated Backshell . . . . .	1A-2
SCP02★	Threaded Box Mount Receptacle. . . . .	1A-2
SCP03★	Threaded Jam Nut Receptacle less Rear Threads . . . . .	1A-2
SCP04★	Threaded Jam Nut Receptacle. . . . .	1A-2
SCP04SV★	Jam Nut Receptacle with Integrated Backshell . . . . .	1A-2
SCP05★	Threaded Panel Mount Plug . . . . .	1A-2
SCP06★	Threaded Straight Plug . . . . .	1A-2
SCP06SV★	Straight Plug with Integrated Backshell. . . . .	1A-2
SCP07★	Threaded Quick Disconnect Plug . . . . .	1A-2
SCP08★	Threaded 90 Degree Plug . . . . .	1A-2
SCP08SV★	90 Degree Plug with Integrated Backshell . . . . .	1A-2
SCP09★	Threaded Box Mount Receptacle with PC Tails. . . . .	1A-2
SCP720★-★	Threaded Wall Mount Receptacle . . . . .	.Not Shown
SCP721★-★	Threaded In-line Receptacle . . . . .	.Not Shown
SCP722★-★	Threaded Box Mount Receptacle. . . . .	.Not Shown
SCP726★-★	Threaded Straight Plug . . . . .	.Not Shown
SCP728★-★	Threaded 90 Degree Plug . . . . .	.Not Shown
SCP729★-★	Threaded 45 Degree Plug . . . . .	.Not Shown
SCP873★-★	Threaded Jam Nut Receptacle. . . . .	1A-27
SCP874★-★	Threaded Jam Nut Receptacle. . . . .	1A-28
SCP1070★-★	Threaded Wall Mount Receptacle . . . . .	5A-2
SCP1071★-★	Threaded In-line Receptacle . . . . .	5A-2
SCP1072★-★	Threaded Box Mount Receptacle. . . . .	5A-2
SCP1073★-★	Threaded Jam Nut Receptacle, Wall Mount . . . . .	5A-2
SCP1074★-★	Threaded Thru-Bulkhead Receptacle. . . . .	5A-2
SCP1076★-★	Threaded Straight Plug . . . . .	5A-2
SCP1077★-★	Threaded Panel Mount Plug . . . . .	5A-2
SCP1079★-★	Threaded Jam Nut Receptacle, Box Mount . . . . .	5A-2
SCP1940★	Threaded Wall Mount Receptacle . . . . .	7A-3
SCP1941★	Threaded In-line Receptacle. . . . .	7A-3
SCP1942★	Threaded Box Mount Receptacle. . . . .	7A-3
SCP1943★	Threaded Jam Nut Receptacle. . . . .	7A-3
SCP1946★	Threaded Straight Plug . . . . .	7A-3
SCP17343★-★	Threaded Wall Mount Receptacle . . . . .	7A-2
SCP17344★-★	Threaded Straight Plug . . . . .	7A-2
SCP17345★-★	Threaded In-line Receptacle. . . . .	7A-2
SCP17346★-★	Threaded Box Mount Receptacle. . . . .	7A-2

★ Indicates additional alpha-numeric are required to complete part numbers.  
**CS** Contact our Sales Department for information on this part.

# CROSS REFERENCE/INDEX

SCP17347★-★	Threaded Jam Nut Receptacle, Wall Mount . . . . .	7A-2
SCP17348★-★	Threaded Jam Nut Receptacle, Box Mount . . . . .	7A-2
SCPBFR★	Reverse Bayonet Jam Nut Receptacle . . . . .	1A-2
SG3100E★	Threaded Wall Mount Receptacle (SCP00EJ★) . . . . .	1A-2
SG3101E★	Threaded In-line Receptacle (SCP01EJ★) . . . . .	1A-2
SG3102E★	Threaded Box Mount Receptacle (SCP02YJ★) . . . . .	1A-2
SG3102R★	Threaded Box Mount Receptacle (SCP02YJ★) . . . . .	1A-2
SG3106E★	Threaded Straight Plug (SCP06EJ★) . . . . .	1A-2
SG3108E★	Threaded 90 Degree Plug (SCP08DJ★) . . . . .	1A-2
SM3100R★	Threaded Wall Mount Receptacle (SCP00RJ★) . . . . .	1A-2
SM3100RC★	Threaded Wall Mount Receptacle (SCP00GJ★) . . . . .	1A-2
SM3101R★	Threaded In-line Receptacle (SCP01RJ★) . . . . .	1A-2
SM3101RC★	Threaded In-line Receptacle (SCP01GJ★) . . . . .	1A-2
SM3106R★	Threaded Straight Plug (SCP06RJ★) . . . . .	1A-2
SM3106RC★	Threaded Straight Plug (SCP06GJ★) . . . . .	1A-2
T12-2500-★	Socket Contact, Size 18 . . . . .	9A-6
T12-3600-★	Socket Contact, Size 16 . . . . .	9A-6
T12-3608-★	Socket Contact, Size 16 . . . . .	9A-6
T12-3612-★	Socket Contact, Size 16 . . . . .	9A-6
T12-3613-★	Socket Contact, Size 16 . . . . .	9A-6
T12-3615-★	Socket Contact, Size 16 . . . . .	9A-6
T12-3620-★	Socket Contact, Size 16 . . . . .	9A-6
T12-3626-★	Socket Contact, Size 16 . . . . .	9A-6
T12-4900-★	Socket Contact, Size 16S . . . . .	9A-6
T12-4912-★	Socket Contact, Size 16S . . . . .	9A-6
T12-4913-★	Socket Contact, Size 16S . . . . .	9A-6
T12-4915-★	Socket Contact, Size 16S . . . . .	9A-6
T12-4926-★	Socket Contact, Size 16S . . . . .	9A-6
T12-6400-★	Socket Contact, Size 12 . . . . .	9A-6
T12-6408-★	Socket Contact, Size 12 . . . . .	9A-6
T12-6412-★	Socket Contact, Size 12 . . . . .	9A-6
T12-6415-★	Socket Contact, Size 12 . . . . .	9A-6
T12-6420-★	Socket Contact, Size 12 . . . . .	9A-6
T12-6422-★	Socket Contact, Size 12 . . . . .	9A-6
T12-6430-★	Socket Contact, Size 12 . . . . .	9A-6
T12-6431-★	Socket Contact, Size 12 . . . . .	9A-6
T12-6438-★	Socket Contact, Size 12 . . . . .	9A-6
T12-7900-★	Socket Contact, Size 8 . . . . .	9A-7
T12-7915-★	Socket Contact, Size 8 . . . . .	9A-7
T12-7918-★	Socket Contact, Size 8 . . . . .	9A-7
T12-7926-★	Socket Contact, Size 8 . . . . .	9A-7
T12-7930-★	Socket Contact, Size 8 . . . . .	9A-7
T12-7950-★	Socket Contact, Size 8 . . . . .	9A-7
T12-7958-★	Socket Contact, Size 8 . . . . .	9A-7
T12-8500-★	Socket Contact, Size 4 . . . . .	9A-7
T12-8522-★	Socket Contact, Size 4 . . . . .	9A-7
T12-8525-★	Socket Contact, Size 4 . . . . .	9A-7
T12-8526-★	Socket Contact, Size 4 . . . . .	9A-7
T12-8530-★	Socket Contact, Size 4 . . . . .	9A-7
T12-8535-★	Socket Contact, Size 4 . . . . .	9A-7
T12-8550-★	Socket Contact, Size 4 . . . . .	9A-7
T12-8562-★	Socket Contact, Size 4 . . . . .	9A-7
T12-9200-★	Socket Contact, Size 1/0 . . . . .	9A-7
T12-9225-★	Socket Contact, Size 1/0 . . . . .	9A-7
T12-9235-★	Socket Contact, Size 1/0 . . . . .	9A-7
T12-9245-★	Socket Contact, Size 1/0 . . . . .	9A-7
T12-9246-★	Socket Contact, Size 1/0 . . . . .	9A-7
T12-9250-★	Socket Contact, Size 1/0 . . . . .	9A-7
T12-9275-★	Socket Contact, Size 1/0 . . . . .	9A-7
T12-9700-★	Socket Contact, Size 4/0 . . . . .	9A-7
T12-9715-★	Socket Contact, Size 4/0 . . . . .	9A-7
T12-9735-★	Socket Contact, Size 4/0 . . . . .	9A-7
T12-9790-★	Socket Contact, Size 4/0 . . . . .	9A-7
T3400D★	Threaded Wall Mount Receptacle (SC30D★) . . . . .	2A-2
T3400DS★	Threaded Wall Mount Receptacle (SC30DS★) . . . . .	2A-2
T3400W★	Threaded Wall Mount Receptacle (SC30W★) . . . . .	2A-2
T3401D★	Threaded In-line Receptacle (SC31D★) . . . . .	2A-2
T3401DS★	Threaded In-line Receptacle (SC31DS★) . . . . .	2A-2

★ Indicates additional alpha-numeric are required to complete part numbers.  
 CS Contact our Sales Department for information on this part.



T3401W★	Threaded In-line Receptacle (SC31W★)	2A-2
T3402D★	Threaded Box Mount Receptacle (SC32D★)	2A-2
T3402DS★	Threaded Box Mount Receptacle (SC32DS★)	2A-2
T3402W★	Threaded Box Mount Receptacle (SC32W★)	2A-2
T3404D★	Threaded Jam Nut Receptacle (SC34D★)	2A-2
T3404DS★	Threaded Jam Nut Receptacle (SC34DS★)	2A-2
T3404W★	Threaded Jam Nut Receptacle (SC34W★)	2A-2
T3406D★	Threaded Straight Plug (SC36D★)	2A-2
T3406DS★	Threaded Straight Plug (SC36DS★)	2A-2
T3406W★	Threaded Straight Plug (SC36W★)	2A-2
T3408D★	Threaded 90 Degree Plug (SC38D★)	2A-2
T3408W★	Threaded 90 Degree Plug (SC38W★)	2A-2
T34096D★	Threaded 45 Degree Plug (SC396D★)	2A-2
T3409DS★	Threaded 45 Degree Plug (SC39DS★)	2A-2
T3450KS★	Threaded Wall Mount Receptacle (SC50KS★)	3A-2
T3450KT★	Threaded Wall Mount Receptacle (SC50KT★)	3A-2
T3450L★	Threaded Wall Mount Receptacle (SC50L★)	3A-2
T3450LS★	Threaded Wall Mount Receptacle (SC50LS★)	3A-2
T3450W★	Threaded Wall Mount Receptacle (SC50W★)	3A-2
T3451L★	Threaded In-line Receptacle (SC51L★)	3A-2
T3451LS★	Threaded In-line Receptacle (SC51LS★)	3A-2
T3451W★	Threaded In-line Receptacle (SC51W★)	3A-2
T3452L★	Threaded Box Mount Receptacle (SC52L★)	3A-2
T3452LS★	Threaded Box Mount Receptacle (SC52LS★)	3A-2
T3452W★	Threaded Box Mount Receptacle (SC52W★)	3A-2
T3454L★	Threaded Jam Nut Receptacle (SC54L★)	3A-2
T3454LS★	Threaded Jam Nut Receptacle (SC54LS★)	3A-2
T3454W★	Threaded Jam Nut Receptacle (SC54W★)	3A-2
T3456KS★	Threaded Straight Plug (SC56KS★)	3A-2
T3456KT★	Threaded Straight Plug (SC56KT★)	3A-2
T3456L★	Threaded Straight Plug (SC56L★)	3A-2
T3456LS★	Threaded Straight Plug (SC56LS★)	3A-2
T3456W★	Threaded Straight Plug (SC56W★)	3A-2
T98143	Contact Insertion Tool ( T117346 )	9A-14
T117082	Contact Insertion Tool	9A-12
T117344	Contact Insertion Tool	9A-12
T117345	Contact Insertion Tool	9A-12
T117346	Contact Insertion Tool	9A-12
T117347	Contact Insertion Tool	9A-12
T117348	Contact Insertion Tool	9A-12
T118249	Removal Tool Kit, Size 18 Contact	9A-12
T118250	Removal Tool Kit, Size 12 & 16 Contact	9A-12
T118260	Removal Tool Kit, Size 8	9A-13
T118270	Removal Tool Kit, Size 4	9A-13
T118280	Contact Removal Tool Kit, Size 1/0	9A-14
T125000	Guide Pin, Size 18 Contact	9A-12
T125001	Guide Pin, Size 16	9A-12
T125002	Guide Pin, Size 12 Contact	9A-12
TBF★	Threaded Thru-Bulkhead Receptacle	1A-2
TH378	Crimp Tool Locator	9A-12
TH379	Crimp Tool Locator	9A-12
VS3100A★	Threaded Wall Mount Receptacle (SCP00AJ★)	1A-2
VS3100C★	Threaded Wall Mount Receptacle (SCP00CJ★)	1A-2
VS3100E★	Threaded Wall Mount Receptacle (SCP00EJ★)	1A-2
VS3100F★	Threaded Wall Mount Receptacle (SCP00GJ★)	1A-2
VS3100R★	Threaded Wall Mount Receptacle (SCP00RJ★)	1A-2
VS3101A★	Threaded In-line Receptacle (SCP01AJ★)	1A-2
VS3101E★	Threaded In-line Receptacle (SCP01EJ★)	1A-2
VS3101F★	Threaded In-line Receptacle (SCP01GJ★)	1A-2
VS3101R★	Threaded In-line Receptacle (SCP01RJ★)	1A-2
VS3102A★	Threaded Box Mount Receptacle (SCP02ZJ★)	1A-2
VS3102C★	Threaded Box Mount Receptacle (SCP02YJ★)	1A-2
VS3102E★	Threaded Box Mount Receptacle (SCP02YJ★)	1A-2
VS3102R★	Threaded Box Mount Receptacle (SCP02YJ★)	1A-2
VS3103P★	Threaded Wall Mount Receptacle (SCP00SJ★)	1A-2
VS3106A★	Threaded Straight Plug (SCP06AJ★)	1A-2
VS3106E★	Threaded Straight Plug (SCP06EJ★)	1A-2
VS3106F★	Threaded Straight Plug (SCP06GJ★)	1A-2

★ Indicates additional alpha-numeric are required to complete part numbers.  
**CS** Contact our Sales Department for information on this part.

# CROSS REFERENCE/INDEX

VS3106R★	Threaded Straight Plug (SCP06RJ★) . . . . .	1A-2
VS3108A★	Threaded 90 Degree Plug (SCP08AJ★) . . . . .	1A-2
VS3108E★	Threaded 90 Degree Plug (SCP08DJ★) . . . . .	1A-2
VS3108R★	Threaded 90 Degree Plug (SCP08FJ★) . . . . .	1A-2
VS25183★	Threaded Straight Plug (SCP06SJ★) . . . . .	1A-2
VS25183A★	Threaded Straight Plug (SCP06TJ★) . . . . .	1A-2
WFS3400D★	Threaded Wall Mount Receptacle (SC30D★) . . . . .	2A-2
WFS3400DS★	Threaded Wall Mount Receptacle (SC30DS★) . . . . .	2A-2
WFS3401D★	Threaded In-line Receptacle (SC31D★) . . . . .	2A-2
WFS3401DS★	Threaded In-line Receptacle (SC31DS★) . . . . .	2A-2
WFS3402D★	Threaded Box Mount Receptacle (SC32D★) . . . . .	2A-2
WFS3402DS★	Threaded Box Mount Receptacle (SC32DS★) . . . . .	2A-2
WFS3403D★	Threaded Jam Nut Receptacle (SC34D★) . . . . .	2A-2
WFS3403DS★	Threaded Jam Nut Receptacle (SC34DS★) . . . . .	2A-2
WFS3406D★	Threaded Straight Plug (SC36D★) . . . . .	2A-2
WFS3406DS★	Threaded Straight Plug (SC36DS★) . . . . .	2A-2
WFS3408D★	Threaded 90 Degree Plug (SC38D★) . . . . .	2A-2
WFS3408DS★	Threaded 90 Degree Plug (SC38DS★) . . . . .	2A-2
WFS3409D★	Threaded 45 Degree Plug (SC39D★) . . . . .	2A-2
WFS3409DS★	Threaded 45 Degree Plug (SC39DS★) . . . . .	2A-2
WFS3412D★	Threaded Box Mount Receptacle (SC32D★) . . . . .	2A-2
WFS3412DS★	Threaded Box Mount Receptacle (SC32DS★) . . . . .	2A-2
WLD0R★C★	Threaded Wall Mount Receptacle (SCP17343R★C★) . . . . .	7A-2
WLD0R★N★	Threaded Wall Mount Receptacle (SCP17343R★N★) . . . . .	7A-2
WLD1R★C★	Threaded In-line Receptacle (SCP17345R★C★) . . . . .	7A-2
WLD1R★N★	Threaded In-line Receptacle (SCP17345R★N★) . . . . .	7A-2
WLD2R★C★	Threaded Box Mount Receptacle (SCP17346R★C★) . . . . .	7A-2
WLD2R★N★	Threaded Box Mount Receptacle (SCP17346R★N★) . . . . .	7A-2
WLD6R★C★	Threaded Straight Plug (SCP17344R★C★) . . . . .	7A-2
WLD6R★N★	Threaded Straight Plug (SCP17344R★N★) . . . . .	7A-2
WLD7R★C★	Threaded Jam Nut Receptacle, Box Mount (SCP17348R★C★) . . . . .	7A-2
WLD7R★N★	Threaded Jam Nut Receptacle, Box Mount (SCP17348R★N★) . . . . .	7A-2
10-720★-★	Threaded Wall Mount Receptacle (SCP720★-★) . . . . .	Not Shown
10-721★-★	Threaded In-line Receptacle (SCP721★-★) . . . . .	Not Shown
10-722★-★	Threaded Box Mount Receptacle (SCP722★-★) . . . . .	Not Shown
10-726★-★	Threaded Straight Plug (SCP726★-★) . . . . .	Not Shown
10-728★-★	Threaded 90 Degree Plug (SCP728★-★) . . . . .	Not Shown
10-729★-★	Threaded 45 Degree Plug (SCP729★-★) . . . . .	Not Shown
10-741★-★	Threaded Jam Nut Receptacle (SCP03★-★) . . . . .	1A-2
10-747★-★	Threaded Jam Nut Receptacle (SCP03★-★) . . . . .	1A-2
10-873★-★	Threaded Jam Nut Receptacle (SCP03★-★) . . . . .	1A-2
10-874★-★	Threaded Jam Nut Receptacle (SCP04★-★) . . . . .	1A-2
10-1070★-★	Threaded Wall Mount Receptacle (SCP1070★-★) . . . . .	5A-2
10-1071★-★	Threaded In-line Receptacle (SCP1071★-★) . . . . .	5A-2
10-1072★-★	Threaded Box Mount Receptacle (SCP1072★-★) . . . . .	5A-2
10-1073★-★	Threaded Jam Nut Receptacle, Wall Mount (SCP1073★-★) . . . . .	5A-2
10-1074★-★	Threaded Thru-Bulkhead Receptacle (SCP1074★-★) . . . . .	5A-2
10-1076★-★	Threaded Straight Plug (SCP1076★-★) . . . . .	5A-2
10-1077★-★	Threaded Panel Mount Plug (SCP1077★-★) . . . . .	5A-2
10-1079★-★	Threaded Jam Nut Receptacle, Box Mount (SCP1079★-★) . . . . .	5A-2
10-1682★-★	Threaded Box Mount Receptacle (SCP02YJ★) . . . . .	1A-2
10-1690★-★	Threaded Wall Mount Receptacle (SCP00EJ★) . . . . .	1A-2
10-1691★-★	Threaded In-line Receptacle (SCP01EJ★) . . . . .	1A-2
10-1696★-★	Threaded Straight Plug (SCP06EJ★) . . . . .	1A-2
10-1698★-★	Threaded 90 Degree Plug (SCP08DJ★) . . . . .	1A-2
10-1890★-★	Threaded Wall Mount Receptacle (SCP00SJ★) . . . . .	1A-2
10-1900★-★	Threaded Wall Mount Receptacle (SCP00RJ★) . . . . .	1A-2
10-1901★-★	Threaded In-line Receptacle (SCP01RJ★) . . . . .	1A-2
10-1902★-★	Threaded Box Mount Receptacle (SCP02YJ★) . . . . .	1A-2
10-1906★-★	Threaded Straight Plug (SCP06RJ★) . . . . .	1A-2
10-1940★-★	Threaded Wall Mount Receptacle (SCP17343★-★) . . . . .	7A-2
10-1941★-★	Threaded In-line Receptacle (SCP17345★-★) . . . . .	7A-2
10-1942★-★	Threaded Box Mount Receptacle (SCP17346★-★) . . . . .	7A-2
10-1943★-★	Threaded Jam Nut Receptacle, Wall Mount (SCP17347★-★) . . . . .	7A-2
10-1946★-★	Threaded Straight Plug (SCP17344★-★) . . . . .	7A-2
10-1949★-★	Threaded Jam Nut Receptacle, Box Mount (SCP17348★-★) . . . . .	7A-2
10-2140★-★	Threaded Wall Mount Receptacle (SCP2140★) . . . . .	Not Shown
10-2141★-★	Threaded In-line Receptacle (SCP2141★) . . . . .	Not Shown

★ Indicates additional alpha-numeric are required to complete part numbers.  
 CS Contact our Sales Department for information on this part.



10-2142★-★	Threaded Box Mount Receptacle (SCP2142★) . . . . .	Not Shown
10-2146★-★	Threaded Straight Plug (SCP2146★) . . . . .	Not Shown
10-2148★-★	Threaded 90 Degree Plug (SCP2148★) . . . . .	Not Shown
10-2149★-★	Threaded 45 Degree Plug (SCP2149★) . . . . .	Not Shown
10-2560★-★	Threaded Wall Mount Receptacle (SCP17343R★N★) . . . . .	7A-2
10-2561★-★	Threaded In-line Receptacle (SCP17345R★N★) . . . . .	7A-2
10-2562★-★	Threaded Box Mount Receptacle (SCP17346R★N★) . . . . .	7A-2
10-2563★-★	Threaded Jam Nut Receptacle, Wall Mount (SCP17347R★N★) . . . . .	7A-2
10-2566★-★	Threaded Straight Plug (SCP17344R★N★) . . . . .	7A-2
10-2569★-★	Threaded Jam Nut Receptacle, Box Mount (SCP17348R★N★) . . . . .	7A-2
10-3054★-★	Threaded Straight Plug (SCP06SJ★) . . . . .	7A-2
10-4353★-★	Threaded Straight Plug (SCP06TJ★) . . . . .	7A-2
10-4560★-★	Threaded Wall Mount Receptacle (SCP17343C★N★) . . . . .	7A-2
10-4561★-★	Threaded In-line Receptacle (SCP17345C★N★) . . . . .	7A-2
10-4562★-★	Threaded Box Mount Receptacle (SCP17346C★N★) . . . . .	7A-2
10-4563★-★	Threaded Jam Nut Receptacle, Wall Mount (SCP17347C★N★) . . . . .	7A-2
10-4566★-★	Threaded Straight Plug (SCP17344C★N★) . . . . .	7A-2
10-4569★-★	Threaded Jam Nut Receptacle, Box Mount (SCP17348C★N★) . . . . .	7A-2
10-4740★-★	Threaded Wall Mount Receptacle (SCP00GJ★) . . . . .	1A-2
10-4741★-★	Threaded In-line Receptacle (SCP01GJ★) . . . . .	1A-2
10-4746★-★	Threaded Straight Plug (SCP06GJ★) . . . . .	1A-2
10-33644	Socket Contact, Size 12 Solder (S12-6500-615) . . . . .	9A-3
10-33646	Pin Contact, Size 12 Solder (P12-6500-315) . . . . .	9A-3
10-35527	Pin Contact, Size 1/0 Solder (P12-9200-315) . . . . .	9A-3
10-35528	Socket Contact, Size 1/0 Solder (S12-9200-515) . . . . .	9A-3
10-35529	Pin Contact, Size 4 Solder (P12-8500-315) . . . . .	9A-3
10-35530	Socket Contact, Size 4 Solder (S12-8500-515) . . . . .	9A-3
10-35531	Pin Contact, Size 8 Solder (P12-7900-315) . . . . .	9A-3
10-35532	Socket Contact, Size 8 Solder (S12-7900-515) . . . . .	9A-3
10-40504	Pin Contact Silver Size 4 (R12-8500-110) . . . . .	9A-4
10-40552	Socket Contact, Size 16S (T12-4900-110) . . . . .	9A-6
10-40552-G117	Socket Contact, Size 16S (T12-4900-140) . . . . .	9A-6
10-40552-12	Socket Contact, Size 16S (T12-4912-110) . . . . .	9A-6
10-40552-12-G117	Socket Contact, Size 16S (T12-4912-140) . . . . .	9A-6
10-40552-13	Socket Contact, Size 16S (T12-4913-110) . . . . .	9A-6
10-40552-13-G117	Socket Contact, Size 16S (T12-4913-140) . . . . .	9A-6
10-40552-15	Socket Contact, Size 16S (T12-4915-110) . . . . .	9A-6
10-40552-15-G117	Socket Contact, Size 16S (T12-4915-140) . . . . .	9A-6
10-40552-20	Socket Contact, Size 16S, (T12-4920-110) . . . . .	9A-6
10-40552-20-G117	Socket Contact, Size 16S, (T12-4920-140) . . . . .	9A-6
10-40552-26	Socket Contact, Size 16S (T12-4926-110) . . . . .	9A-6
10-40552-26-G117	Socket Contact, Size 16S (T12-4926-140) . . . . .	9A-6
10-40553	Pin Contact, Size 16S (R12-4900-110) . . . . .	9A-4
10-40553-G117	Pin Contact, Size 16S (R12-4900-140) . . . . .	9A-4
10-40553-12	Pin Contact, Size 16S (R12-4912-110) . . . . .	9A-4
10-40553-12-G117	Pin Contact, Size 16S (R12-4912-140) . . . . .	9A-4
10-40553-13	Pin Contact, Size 16S (R12-4913-110) . . . . .	9A-4
10-40553-13-G117	Pin Contact, Size 16S (R12-4913-140) . . . . .	9A-4
10-40553-15	Pin Contact, Size 16S (R12-4915-110) . . . . .	9A-4
10-40553-15-G117	Pin Contact, Size 16S (R12-4915-140) . . . . .	9A-4
10-40553-20	Pin Contact, Size 16S (R12-4920-110) . . . . .	9A-4
10-40553-20-G117	Pin Contact, Size 16S (R12-4920-140) . . . . .	9A-4
10-40553-26	Pin Contact, Size 16S (R12-4926-110) . . . . .	9A-4
10-40553-26-G117	Pin Contact, Size 16S (R12-4926-140) . . . . .	9A-4
10-40556	Socket Contact, Size 16 (T12-3600-110) . . . . .	9A-6
10-40556-G117	Socket Contact, Size 16 (T12-3600-140) . . . . .	9A-6
10-40556-08	Socket Contact, Size 16 (T12-3608-110) . . . . .	9A-6
10-40556-08-G117	Socket Contact, Size 16 (T12-3608-140) . . . . .	9A-6
10-40556-12	Socket Contact, Size 16 (T12-3612-110) . . . . .	9A-6
10-40556-12-G117	Socket Contact, Size 16 (T12-3612-140) . . . . .	9A-6
10-40556-13	Socket Contact, Size 16 (T12-3613-110) . . . . .	9A-6
10-40556-13-G117	Socket Contact, Size 16 (T12-3613-140) . . . . .	9A-6
10-40556-15	Socket Contact, Size 16 (T12-3615-110) . . . . .	9A-6
10-40556-15-G117	Socket Contact, Size 16 (T12-3615-140) . . . . .	9A-6
10-40556-20	Socket Contact, Size 16 (T12-3620-110) . . . . .	9A-6
10-40556-20-G117	Socket Contact, Size 16 (T12-3620-140) . . . . .	9A-6
10-40556-26	Socket Contact, Size 16 (T12-3626-110) . . . . .	9A-6
10-40556-26-G117	Socket Contact, Size 16 (T12-3626-140) . . . . .	9A-6

★ Indicates additional alpha-numeric are required to complete part numbers.  
**CS** Contact our Sales Department for information on this part.

# CROSS REFERENCE/INDEX

10-40556-32	Socket Contact, Size 16 (T12-3632-110)	9A-6
10-40556-32-G117	Socket Contact, Size 16 (T12-3632-140)	9A-6
10-40557	Pin Contact, Size 16 (R12-3600-110)	9A-4
10-40557-G117	Pin Contact, Size 16 (R12-3600-140)	9A-4
10-40557-08	Pin Contact, Size 16 (R12-3608-110)	9A-4
10-40557-08-G117	Pin Contact, Size 16 (R12-3608-140)	9A-4
10-40557-12	Pin Contact, Size 16 (R12-3612-110)	9A-4
10-40557-12-G117	Pin Contact, Size 16 (R12-3612-140)	9A-4
10-40557-13	Pin Contact, Size 16 (R12-3613-110)	9A-4
10-40557-13-G117	Pin Contact, Size 16 (R12-3613-140)	9A-4
10-40557-15	Pin Contact, Size 16 (R12-3615-110)	9A-4
10-40557-15-G117	Pin Contact, Size 16 (R12-3615-140)	9A-4
10-40557-20	Pin Contact, Size 16 (R12-3620-110)	9A-4
10-40557-20-G117	Pin Contact, Size 16 (R12-3620-140)	9A-4
10-40557-26	Pin Contact, Size 16 (R12-3626-110)	9A-4
10-40557-26-G117	Pin Contact, Size 16 (R12-3626-140)	9A-4
10-40557-32	Pin Contact, Size 16 (R12-3632-110)	9A-4
10-40557-32-G117	Pin Contact, Size 16 (R12-3632-140)	9A-4
10-40560	Socket Contact, Size 12 (T12-6400-110)	9A-6
10-40560-G117	Socket Contact, Size 12 (T12-6400-140)	9A-6
10-40560-12	Socket Contact, Size 12 (T12-6412-110)	9A-6
10-40560-12-G117	Socket Contact, Size 12 (T12-6412-140)	9A-6
10-40560-15	Socket Contact, Size 12 (T12-6415-110)	9A-6
10-40560-15-G117	Socket Contact, Size 12 (T12-6415-140)	9A-6
10-40560-20	Socket Contact, Size 12 (T12-6420-110)	9A-6
10-40560-20-G117	Socket Contact, Size 12 (T12-6420-140)	9A-6
10-40560-22	Socket Contact, Size 12 (T12-6422-110)	9A-6
10-40560-22-G117	Socket Contact, Size 12 (T12-6422-140)	9A-6
10-40560-30	Socket Contact, Size 12 (T12-6430-110)	9A-6
10-40560-30-G117	Socket Contact, Size 12 (T12-6430-140)	9A-6
10-40560-30M	Socket Contact, Size 12 (T12-6431-110)	9A-6
10-40560-30M-G117	Socket Contact, Size 12 (T12-6431-140)	9A-6
10-40560-38	Socket Contact, Size 12 (T12-6438-110)	9A-6
10-40560-38-G117	Socket Contact, Size 12 (T12-6438-140)	9A-6
10-40561	Pin Contact, Size 12 (R12-6400-110)	9A-4
10-40561-G117	Pin Contact, Size 12 (R12-6400-140)	9A-4
10-40561-12	Pin Contact, Size 12 (R12-6412-110)	9A-4
10-40561-12-G117	Pin Contact, Size 12 (R12-6412-140)	9A-4
10-40561-15	Pin Contact, Size 12 (R12-6415-110)	9A-4
10-40561-15-G117	Pin Contact, Size 12 (R12-6415-140)	9A-4
10-40561-20	Pin Contact, Size 12 (R12-6420-110)	9A-4
10-40561-20-G117	Pin Contact, Size 12 (R12-6420-140)	9A-4
10-40561-22	Pin Contact, Size 12 (R12-6422-110)	9A-4
10-40561-22-G117	Pin Contact, Size 12 (R12-6422-140)	9A-4
10-40561-30	Pin Contact, Size 12 (R12-6430-110)	9A-4
10-40561-30-G117	Pin Contact, Size 12 (R12-6430-140)	9A-4
10-40561-30M	Pin Contact, Size 12 (R12-6431-110)	9A-4
10-40561-30M-G117	Pin Contact, Size 12 (R12-6431-140)	9A-4
10-40561-38	Pin Contact, Size 12 (R12-6438-110)	9A-4
10-40561-38-G117	Pin Contact, Size 12 (R12-6438-140)	9A-4
10-40562	Pin Contact, Size 1/0 (R12-9200-110)	9A-5
10-40563	Socket Contact, Size 1/0 (T12-9200-510)	9A-7
10-40564	Pin Contact, Size 4 (R12-8500-110)	9A-5
10-40565	Socket Contact, Size 4 (T12-8500-510)	9A-7
10-40568	Socket Contact, Size 16S Solder (S12-6500-615)	9A-3
10-40569	Pin Contact, Size 16S Solder (R12-6500-315)	9A-5
10-40598	Socket Contact, Size 16 Solder (S12-3800-615)	9A-3
10-40599	Pin Contact, Size 16 Solder (P12-3800-315)	9A-3
10-40792	Pin Contact, Size 8 (R12-7900-110)	9A-5
10-40793	Pin Contact, Size 8 (T12-7900-510)	9A-7
10-40552	Socket Contact, Contact Silver Size 16 (T12-4900-110)	9A-6
10-40553	Pin Contact Silver Size 16S (R12-4900-110)	9A-4
10-40556	Socket Contact, Contact Silver Size 16 (T12-3600-110)	9A-6
10-40557	Pin Contact Silver Size 16 (R12-3600-110)	9A-4
10-40579	Pin Contact, Size 18 (R12-2500-110)	9A-4
10-40579-G117	Pin Contact, Size 18 (R12-2500-140)	9A-4
10-40588	Socket Contact, Size 18 (T12-2500-110)	9A-6
10-40588-G117	Socket Contact, Size 18 (T12-2500-140)	9A-6

\* Indicates additional alpha- numerics are required to complete part numbers.  
 CS Contact our Sales Department for information on this part.



10-40792	Pin Contact, Size 8 (R12-7900-110)	9A-4
10-40792-G117	Pin Contact, Size 8 (R12-7900-140)	9A-4
10-40792-15	Pin Contact, Size 8 (R12-7915-110)	9A-4
10-40792-15-G117	Pin Contact, Size 8 (R12-7915-140)	9A-4
10-40792-18	Pin Contact, Size 8 (R12-7918-110)	9A-4
10-40792-18-G117	Pin Contact, Size 8 (R12-7918-140)	9A-4
10-40792-30	Pin Contact, Size 8 (R12-7930-110)	9A-4
10-40792-30-G117	Pin Contact, Size 8 (R12-7930-140)	9A-4
10-40792-50	Pin Contact, Size 8 (R12-7950-110)	9A-4
10-40792-50-G117	Pin Contact, Size 8 (R12-7950-140)	9A-4
10-40792-58	Pin Contact, Size 8 (R12-7958-110)	9A-4
10-40792-58-G117	Pin Contact, Size 8 (R12-7958-140)	9A-4
10-40793	Socket Contact, Size 8 (T12-7900-510)	9A-6
10-40793-G117	Socket Contact, Size 8 (T12-7900-540)	9A-6
10-40793-1	Socket Contact, Size 8 (T12-7900-510)	9A-6
10-40793-1-15	Socket Contact, Size 8 (T12-7915-510)	9A-6
10-40793-1-15-G117	Socket Contact, Size 8 (T12-7915-540)	9A-6
10-40793-1-18	Socket Contact, Size 8 (T12-7918-510)	9A-6
10-40793-1-18-G117	Socket Contact, Size 8 (T12-7918-540)	9A-6
10-40793-1-30	Socket Contact, Size 8 (T12-7930-510)	9A-6
10-40793-1-30-G117	Socket Contact, Size 8 (T12-7930-540)	9A-6
10-40793-1-50	Socket Contact, Size 8 (T12-7950-110)	9A-6
10-40793-1-50-G117	Socket Contact, Size 8 (T12-7950-140)	9A-6
10-40793-1-58	Socket Contact, Size 8 (T12-7958-510)	9A-6
10-40793-1-58-G117	Socket Contact, Size 8 (T12-7958-540)	9A-6
10-40793-1-G117	Socket Contact, Size 8 (T12-7900-540)	9A-6
10-74696-11 (C=.422)	Crimp Adapter (907-2110-110)	9A-8
10-74696-4	Crimp Adapter (907-2039-110)	9A-8
10-74696-5	Crimp Adapter (907-2060-110)	9A-8
10-74696-6	Crimp Adapter (907-2025-110)	9A-8
10-74696-8 (C=.422)	Crimp Adapter (907-2180-110)	9A-8
10-74696-15	Crimp Adapter (907-2038-110)	9A-8
10-74696-16	Crimp Adapter (907-2021-110)	9A-8
10-74696-17	Crimp Adapter (907-2119-110)	9A-8
10-74696-18	Crimp Adapter (907-2100-110)	9A-8
10-74696-21	Crimp Adapter (907-2220-110)	9A-8
10-74696-23	Crimp Adapter (907-2090-110)	9A-8
10-74696-24	Crimp Adapter (907-2080-110)	9A-8
10-74696-25	Crimp Adapter (907-2130-110)	9A-8
10-74696-26	Crimp Adapter (907-2111-110)	9A-8
10-74696-27	Crimp Adapter (907-2108-110)	9A-8
10-74696-28	Crimp Adapter (907-2203-110)	9A-8
10-74696-29	Crimp Adapter (907-2070-110)	9A-8
10-74696-30	Crimp Adapter (907-2172-110)	9A-8
10-74696-31	Crimp Adapter (907-2190-110)	9A-8
10-74696-32	Crimp Adapter (907-2118-110)	9A-8
10-113474-4P-35	Pin Contact, Size 4 (R12-8535-110)	9A-4
10-113474-4P-35-G117	Pin Contact, Size 4 (R12-8535-140)	9A-4
10-113474-4P-50	Pin Contact, Size 4 (R12-8550-110)	9A-4
10-113474-4P-50-G117	Pin Contact, Size 4 (R12-8550-140)	9A-4
10-113474-4P-62	Pin Contact, Size 4 (R12-8562-110)	9A-4
10-113474-4P-62-G117	Pin Contact, Size 4 (R12-8562-140)	9A-4
10-113474-4S	Socket Contact, Size 4 (T12-8500-510)	9A-6
10-113474-4S-G117	Socket Contact, Size 4 (T12-8500-540)	9A-6
10-113474-4S-1	Socket Contact, Size 4 (T12-8500-510)	9A-6
10-113474-4S-1-22	Socket Contact, Size 4 (T12-8522-510)	9A-6
10-113474-4S-1-22-G117	Socket Contact, Size 4 (T12-8522-540)	9A-6
10-113474-4S-1-26	Socket Contact, Size 4 (T12-8526-510)	9A-6
10-113474-4S-1-26-G117	Socket Contact, Size 4 (T12-8526-540)	9A-6
10-113474-4S-1-30	Socket Contact, Size 4 (T12-8530-510)	9A-6
10-113474-4S-1-30-G117	Socket Contact, Size 4 (T12-8530-540)	9A-6
10-113474-4S-1-50	Socket Contact, Size 4 (T12-8550-510)	9A-6
10-113474-4S-1-50-G117	Socket Contact, Size 4 (T12-8550-540)	9A-6
10-113474-4S-1-62	Socket Contact, Size 4 (T12-8562-510)	9A-6
10-113474-4S-1-62-G117	Socket Contact, Size 4 (T12-8562-540)	9A-6
10-113474-4S-1-90	Socket Contact, Size 4 (T12-8535-510)	9A-6
10-113474-4S-1-90-G117	Socket Contact, Size 4 (T12-8535-540)	9A-6
10-113474-4S-1-G117	Socket Contact, Size 4 (T12-8500-540)	9A-6

★ Indicates additional alpha- numerics are required to complete part numbers.  
**CS** Contact our Sales Department for information on this part.

# CROSS REFERENCE/INDEX

10-113474-4S-25M	Socket Contact, Size 4 (T12-9200-510) . . . . .	9A-6
10-113474-4S-25M-G117	Socket Contact, Size 4 (T12-9200-540) . . . . .	9A-6
10-123018-1P	Short Pin Contact, Chromel Size 20 (P32-1900-010) . . . . .	9A-8
10-123018-1S	Short Socket Contact, Chromel Size 20 (S32-1900-010) . . . . .	9A-8
10-123018-2P	Short Pin Contact, Alumel Size 20 (P32-1900-000) . . . . .	9A-8
10-123018-2S	Short Socket Contact, Alumel Size 20 (S32-1900-000) . . . . .	9A-8
10-123018-3P	Short Pin Contact, Iron Size 20 (P32-1900-040) . . . . .	9A-8
10-123018-3S	Short Socket Contact, Iron Size 20 (S32-1900-040) . . . . .	9A-8
10-123018-4P	Short Pin Contact, Constantan Size 20 (P32-1900-020) . . . . .	9A-8
10-123018-4S	Short Socket Contact, Constantan Size 20 (P32-1900-020) . . . . .	9A-8
10-123018-11S	Long Socket Contact, Chromel Size 20 (P32-1902-010) . . . . .	9A-8
10-123018-12P	Long Pin Contact, Alumel Size 20 (P32-1902-010) . . . . .	9A-8
10-123018-12S	Long Socket Contact, Alumel, Size 20 (S32-1902-000) . . . . .	9A-8
10-123018-13P	Long Pin Contact, Iron Size 20 (P32-1902-040) . . . . .	9A-8
10-123018-13S	Long Socket Contact, Iron Size 20 (S32-1902-040) . . . . .	9A-8
10-123018-14P	Long Pin Contact, Constantan Size 20 (P32-1902-020) . . . . .	9A-8
10-123018-14S	Long Socket Contact, Constantan Size 20 (P32-1902-020) . . . . .	9A-8
10-123018-21P	Long Pin Contact, Chromel Size 16 (P32-3800-010) . . . . .	9A-8
10-123018-21S	Long Socket Contact, Chromel Size 16 (S32-3800-010) . . . . .	9A-8
10-123018-22P	Long Pin Contact, Alumel Size 16 (P32-3800-000) . . . . .	9A-8
10-123018-22S	Long Socket Contact, Alumel Size 16 (S32-3800-000) . . . . .	9A-8
10-123018-23P	Long Pin Contact, Iron Size 16 (P32-3800-040) . . . . .	9A-8
10-123018-23S	Long Socket Contact, Iron Size 16 (S32-3800-040) . . . . .	9A-8
10-123018-24P	Long Pin Contact, Constantan Size 16 (P32-3800-020) . . . . .	9A-8
10-123018-24S	Long Socket Contact, Constantan Size 16 (P32-3800-020) . . . . .	9A-8
10-123018-31P	Long Pin Contact, Chromel Size 16 (P32-3802-010) . . . . .	9A-8
10-123018-31S	Long Socket Contact, Chromel Size 16 (S32-3802-010) . . . . .	9A-8
10-123018-32P	Long Pin Contact, Alumel Size 16 (P32-3802-000) . . . . .	9A-8
10-123018-32S	Long Socket Contact, Alumel Size 16 (S32-3802-000) . . . . .	9A-8
10-123018-33P	Long Pin Contact, Iron Size 16 (P32-3802-040) . . . . .	9A-8
10-123018-33S	Long Socket Contact, Iron Size 16 (S32-3802-040) . . . . .	9A-8
10-123018-34P	Long Pin Contact, Constantan Size 16 (P32-3802-020) . . . . .	9A-8
10-123018-34S	Long Socket Contact, Constantan Size 16 (P32-3802-020) . . . . .	9A-8
10-242999-4	Crimp Adapter (907-2039-140) . . . . .	9A-8
10-242999-5	Crimp Adapter (907-2060-140) . . . . .	9A-4
10-242999-6	Crimp Adapter (907-2025-140) . . . . .	9A-8
10-242999-8 (C=.644)	Crimp Adapter (907-2180-140) . . . . .	9A-8
10-242999-10	Crimp Adapter (907-2173-140) . . . . .	9A-8
10-242999-11 (C=.422)	Crimp Adapter (907-2110-140) . . . . .	9A-8
10-242999-12	Crimp Adapter (907-2055-140) . . . . .	9A-8
10-242999-13 (C=.422)	Crimp Adapter (907-2050-140) . . . . .	9A-8
10-242999-16	Crimp Adapter (907-2021-140) . . . . .	9A-8
10-242999-17	Crimp Adapter (907-2119-140) . . . . .	9A-8
10-242999-18	Crimp Adapter (907-2100-140) . . . . .	9A-8
10-242999-21	Crimp Adapter (907-2220-140) . . . . .	9A-8
10-242999-23	Crimp Adapter (907-2090-140) . . . . .	9A-8
10-242999-24	Crimp Adapter (907-2080-140) . . . . .	9A-8
10-242999-25	Crimp Adapter (907-2130-140) . . . . .	9A-8
10-242999-26	Crimp Adapter (907-2111-140) . . . . .	9A-8
10-242999-27	Crimp Adapter (907-2108-140) . . . . .	9A-8
10-242999-28	Crimp Adapter (907-2203-140) . . . . .	9A-8
10-242999-29	Crimp Adapter (907-2070-140) . . . . .	9A-8
10-242999-30	Crimp Adapter (907-2172-140) . . . . .	9A-8
10-242999-31	Crimp Adapter (907-2190-140) . . . . .	9A-8
10-242999-32	Crimp Adapter (907-2118-140) . . . . .	9A-8
10-597109-1D	Socket Contact Gold Size 1/0 (T12-9200-542) . . . . .	9A-6
10-597109-4D	Socket Contact Gold Size 4 (T12-8500-542) . . . . .	9A-6
10-597109-8D	Socket Contact Gold Size 8 (T12-7900-542) . . . . .	9A-6
10-597109-13D	Socket Contact Gold Size 12 (T12-6400-142) . . . . .	9A-6
10-597109-14D	Socket Contact Gold Size 16 (T12-3620-142) . . . . .	9A-6
10-597109-16D	Socket Contact Gold Size 16S (T12-4900-142) . . . . .	9A-6
10-597109-17D	Socket Contact Gold Size 16 (T12-3600-142) . . . . .	9A-6
10-597109-19D	Socket Contact Gold Size 16S (T12-4920-142) . . . . .	9A-6
10-597109-20D	Socket Contact Gold Size 12 (T12-6412-142) . . . . .	9A-6
10-597109-22D	Socket Contact Gold Size 16 (T12-3626-142) . . . . .	9A-6
10-597109-23D	Socket Contact Gold Size 12 (T12-6408-142) . . . . .	9A-6
10-597109-24D	Socket Contact Gold Size 12 (T12-6415-142) . . . . .	9A-6
10-597109-26D	Socket Contact Gold Size 12 (T12-6438-142) . . . . .	9A-6

★ Indicates additional alpha-numeric are required to complete part numbers.  
 CS Contact our Sales Department for information on this part.

# CROSS REFERENCE/INDEX

10-597109-27D	Socket Contact Gold Size 12 (T12-6420-142)	9A-6
10-597109-28D	Socket Contact Gold Size 8 (T12-7910-542)	9A-6
10-597109-29D	Socket Contact Gold Size 1/0 (T12-9211-542)	9A-6
10-597109-30D	Socket Contact Gold Size 1/0 (T12-9246-542)	9A-6
10-597109-33D	Socket Contact Gold Size 16 (T12-3612-142)	9A-6
10-597109-34D	Socket Contact Gold Size 16S (T12-4912-142)	9A-6
10-597109-35D	Socket Contact Gold Size 4 (T12-8515-542)	9A-6
10-597109-36D	Socket Contact Gold Size 16 (T12-3613-142)	9A-6
10-597109-38D	Socket Contact Gold Size 8 (T12-7926-542)	9A-6
10-597109-40D	Socket Contact Gold Size 16S (T12-4926-142)	9A-6
10-597109-41D	Socket Contact Gold Size 8 (T12-7958-542)	9A-6
10-597109-44D	Socket Contact Gold Size 4 (T12-8544-542)	9A-6
10-597109-46D	Socket Contact Gold Size 16S (T12-4913-142)	9A-6
10-597109-47D	Socket Contact Gold Size 4/0 (T12-9700-542)	9A-6
10-597109-58D	Socket Contact Gold Size 4 (T12-8530-542)	9A-6
10-597109-211	Socket Contact Silver Size 16 (T12-3602-110)	9A-6
10-597109-251	Socket Contact Silver Size 12 (T12-6407-110)	9A-6
10-597109-311	Socket Contact Silver Size 16S (T12-4915-110)	9A-6
10-597109-321	Socket Contact Silver Size 16 (T12-3615-110)	9A-6
10-597109-371	Socket Contact Silver Size 16S (T12-4902-110)	9A-6
10-597109-391	Socket Contact Silver Size 16 (T12-3608-110)	9A-6
10-597109-421	Socket Contact Silver Size 12 (T12-6420-110)	9A-6
10-597109-431	Socket Contact Silver Size 16 (T12-3613-110)	9A-6
10-597109-451	Socket Contact Silver Size 4 (T12-8545-110)	9A-6
10-597109-1131	Socket Contact, Silver Size 12 (T12-6400-110)	9A-7
10-597159-16	Socket Contact Gold Size 16 (T12-3600-142)	9A-6
10-597159-17	Socket Contact Gold Size 16 (T12-3620-142)	9A-6
10-597159-19	Socket Contact Gold Size 12 (T12-6412-142)	9A-6
10-597159-20	Socket Contact Gold Size 16S (T12-4920-142)	9A-6
10-597159-21	Socket Contact Gold Size 16 (T12-3602-142)	9A-6
10-597159-22	Socket Contact Gold Size 16 (T12-3626-142)	9A-6
10-597159-23	Socket Contact Gold Size 12 (T12-6408-142)	9A-6
10-597159-31	Socket Contact Gold Size 16S (T12-4915-142)	9A-6
10-597159-32	Socket Contact Gold Size 16 (T12-3615-142)	9A-6
10-597159-33	Socket Contact Gold Size 16 (T12-3612-142)	9A-6
10-597159-34	Socket Contact Gold Size 16S (T12-4912-142)	9A-6
10-597159-36	Socket Contact Gold Size 16 (T12-3613-142)	9A-6
10-597159-37	Socket Contact Gold Size 16S (T12-4902-142)	9A-6
10-597159-39	Socket Contact Gold Size 16 (T12-3608-142)	9A-6
10-597159-40	Socket Contact Gold Size 16S (T12-4926-142)	9A-6
10-597159-42	Socket Contact Gold Size 12 (T12-6420-142)	9A-6
10-597159-43	Socket Contact Gold Size 16 (T12-3613-142)	9A-6
10-597159-46	Socket Contact Gold Size 16S (T12-4913-142)	9A-6
10-597159-121	Socket Contact Gold Size 12 (T12-6400-142)	9A-6
10-597159-241	Socket Contact Gold Size 12 (T12-6415-142)	9A-6
10-597159-251	Socket Contact Gold Size 12 (T12-6407-142)	9A-6
10-597159-261	Socket Contact Gold Size 12 (T12-6438-142)	9A-6
10-597159-271	Socket Contact Gold Size 12 (T12-6420-142)	9A-6
10-597160-1D	Pin Contact Gold Size 1/0 (R12-9200-142)	9A-4
10-597160-12D	Pin Contact Gold Size 12 (R12-6400-142)	9A-4
10-597160-15D	Pin Contact Gold Size 16S (R12-4900-142)	9A-4
10-597160-16D	Pin Contact Gold Size 16 (R12-3600-142)	9A-4
10-597160-17D	Pin Contact Gold Size 16 (R12-3620-142)	9A-4
10-597160-19D	Pin Contact Gold Size 16S (R12-4920-142)	9A-4
10-597160-20D	Pin Contact Gold Size 12 (R12-6412-142)	9A-4
10-597160-21D	Pin Contact Gold Size 16 (R12-3602-142)	9A-4
10-597160-22D	Pin Contact Gold Size 16 (R12-3626-142)	9A-4
10-597160-23D	Pin Contact Gold Size 12 (R12-6408-142)	9A-4
10-597160-24D	Pin Contact Gold Size 12 (R12-6415-142)	9A-4
10-597160-25D	Pin Contact Gold Size 12 (R12-6407-142)	9A-4
10-597160-26D	Pin Contact Gold Size 12 (R12-6438-142)	9A-4
10-597160-27D	Pin Contact Gold Size 12 (R12-6420-142)	9A-4
10-597160-28D	Pin Contact Gold Size 8 (R12-7910-142)	9A-4
10-597160-29D	Pin Contact Gold Size 1/0 (R12-9211-142)	9A-4
10-597160-30D	Pin Contact Gold Size 1/0 (R12-9246-142)	9A-4
10-597160-31D	Pin Contact Gold Size 16S (R12-4915-142)	9A-4
10-597160-32D	Pin Contact Gold Size 16 (R12-3615-142)	9A-4
10-597160-33D	Pin Contact Gold Size 16 (R12-3612-142)	9A-4

★ Indicates additional alpha-numeric are required to complete part numbers.  
**CS** Contact our Sales Department for information on this part.

# CROSS REFERENCE/INDEX

10-597160-34D	Pin Contact Gold Size 16S (R12-4912-142)	9A-4
10-597160-35D	Pin Contact Gold Size 4 (R12-8515-142)	9A-4
10-597160-36D	Pin Contact Gold Size 16 (R12-3613-142)	9A-4
10-597160-37D	Pin Contact Gold Size 16S (R12-4902-142)	9A-4
10-597160-38D	Pin Contact Gold Size 8 (R12-7926-142)	9A-4
10-597160-39D	Pin Contact Gold Size 16 (R12-3608-142)	9A-4
10-597160-40D	Pin Contact Gold Size 16S (R12-4926-142)	9A-4
10-597160-41D	Pin Contact Gold Size 8 (R12-7958-142)	9A-4
10-597160-42D	Pin Contact Gold Size 12 (R12-6420-142)	9A-4
10-597160-43D	Pin Contact Gold Size 16 (R12-3613-142)	9A-4
10-597160-44D	Pin Contact Gold Size 4 (R12-8544-142)	9A-4
10-597160-45D	Pin Contact Gold Size 4 (R12-8545-142)	9A-4
10-597160-46D	Pin Contact Gold Size 16S (R12-4913-142)	9A-4
10-597160-47D	Pin Contact Gold Size 4/0 (R12-9700-142)	9A-4
10-597160-58D	Pin Contact Gold Size 4 (R12-8530-142)	9A-4
10-597276-47	Pin Contact Silver Size 4/0 (R12-9700-110)	9A-4
10-597276-47D	Pin Contact Gold Size 4/0 (R12-9700-142)	9A-4
10-606014-37	Pin Contact Silver Size 16S (R12-4902-110)	9A-4
10-606014-40	Pin Contact Silver Size 16S (R12-4926-110)	9A-4
10-606014-41	Pin Contact Silver Size 8 (R12-7958-110)	9A-4
10-606014-42	Pin Contact Silver Size 12 (R12-6420-110)	9A-4
10-606014-43	Pin Contact Silver Size 16 (R12-3613-110)	9A-4
10-606014-44	Pin Contact Silver Size 4 (R12-8544-110)	9A-4
10-606014-45	Pin Contact Silver Size 4 (R12-8545-110)	9A-4
10-606014-46	Pin Contact Silver Size 16S (R12-4913-110)	9A-4
10-606014-47	Pin Contact Silver Size 4/0 (R12-9700-110)	9A-4
10-606014-58	Pin Contact Silver Size 4 (R12-8530-110)	9A-4
10-606014-022	Pin Contact Silver Size 16 (R12-3626-110)	9A-4
10-606014-121	Pin Contact Silver Size 12 (R12-6400-110)	9A-4
10-606014-171	Pin Contact Silver Size 16 (R12-3620-110)	9A-4
10-606014-191	Pin Contact Silver Size 16 (R12-3602-110)	9A-4
10-606014-201	Pin Contact Silver Size 12 (R12-6412-110)	9A-4
10-606014-221	Pin Contact Silver Size 16S (R12-4920-110)	9A-4
10-606014-231	Pin Contact Silver Size 12 (R12-6408-110)	9A-4
10-606014-241	Pin Contact Silver Size 12 (R12-6407-110)	9A-4
10-606014-251	Pin Contact Silver Size 12 (R12-6438-110)	9A-4
10-606014-261	Pin Contact Silver Size 12 (R12-6415-110)	9A-4
10-606014-271	Pin Contact Silver Size 12 (R12-6420-110)	9A-4
10-606014-281	Pin Contact Silver Size 16S (R12-4915-110)	9A-4
10-606014-291	Pin Contact Silver Size 16S (R12-4912-110)	9A-4
10-606014-301	Pin Contact Silver Size 16 (R12-3615-110)	9A-4
10-606014-311	Pin Contact Silver Size 16 (R12-3612-110)	9A-4
10-606014-321	Pin Contact Silver Size 8 (R12-7910-110)	9A-4
10-606014-331	Pin Contact Silver Size 4 (R12-8515-110)	9A-4
10-606014-341	Pin Contact Silver Size 1/0 (R12-9211-110)	9A-4
10-606014-351	Pin Contact Silver Size 1/0 (R12-9246-110)	9A-4
10-606014-361	Pin Contact Silver Size 16 (R12-3613-110)	9A-4
10-606014-381	Pin Contact Silver Size 8 (R12-7926-110)	9A-4
10-606014-391	Pin Contact Silver Size 16 (R12-3608-110)	9A-4
10-606015-36	Socket Contact Silver Size 16 (T12-3613-110)	9A-4
10-606015-37	Socket Contact Silver Size 16S (T12-4902-110)	9A-4
10-606015-40	Socket Contact Silver Size 16S (T12-4926-110)	9A-4
10-606015-42	Socket Contact Silver Size 12 (T12-6420-110)	9A-4
10-606015-43	Socket Contact Silver Size 16 (T12-3613-110)	9A-4
10-606015-46	Socket Contact Silver Size 16S (T12-4913-110)	9A-4
10-606015-121	Socket Contact Silver Size 12 (T12-6400-110)	9A-4
10-606015-171	Socket Contact Silver Size 16 (T12-3620-110)	9A-4
10-606015-191	Socket Contact Silver Size 16 (T12-3602-110)	9A-4
10-606015-201	Socket Contact Silver Size 12 (T12-6412-110)	9A-4
10-606015-211	Socket Contact Silver Size 16 (T12-3626-110)	9A-4
10-606015-221	Socket Contact Silver Size 16S (T12-4920-110)	9A-4
10-606015-231	Socket Contact Silver Size 12 (T12-6408-110)	9A-4
10-606015-251	Socket Contact Silver Size 12 (T12-6438-110)	9A-4
10-606015-261	Socket Contact Silver Size 12 (T12-6415-110)	9A-4
10-606015-271	Socket Contact Silver Size 12 (T12-6420-110)	9A-4
10-606015-281	Socket Contact Silver Size 16S (T12-4915-110)	9A-4
10-606015-291	Socket Contact Silver Size 16S (T12-4912-110)	9A-4
10-606015-301	Socket Contact Silver Size 16 (T12-3615-110)	9A-4

\* Indicates additional alpha-numeric are required to complete part numbers.  
 CS Contact our Sales Department for information on this part.



10-606015-311	Socket Contact Silver Size 16 (T12-3612-110)	9A-4
10-606015-351	Socket Contact Silver Size 1/0 (T12-9246-110)	9A-4
10-606015-391	Socket Contact Silver Size 16 (T12-3608-110)	9A-4
10-957109-3D	Socket Contact Gold Size 16S (T12-4915-142)	9A-4
10-957109-21D	Socket Contact Gold Size 16 (T12-3602-142)	9A-4
10-957109-25D	Socket Contact Gold Size 12 (T12-6407-142)	9A-4
10-957109-32D	Socket Contact Gold Size 16 (T12-3615-142)	9A-4
10-957109-37D	Socket Contact Gold Size 16S (T12-4902-142)	9A-4
10-957109-39D	Socket Contact Gold Size 16 (T12-3608-142)	9A-4
10-957109-42D	Socket Contact Gold Size 12 (T12-6420-142)	9A-4
10-957109-43D	Socket Contact Gold Size 16 (T12-3613-142)	9A-4
10-957109-45D	Socket Contact Gold Size 4 (T12-8545-142)	9A-4
11-7082	Contact Insertion Tool (T117082)	9A-14
11-7345	Contact Insertion Tool (T117345)	9A-14
11-7365-4★	Contact Insertion Tool Size 4 (T117347)	9A-14
11-7365-5★	Contact Insertion Tool Size 1/0 (T117348)	9A-14
11-7370-4★ (Pin)	Contact Removal Tool Kit Size 4 (T118270)	9A-14
11-7370-5★ (Pin)	Contact Removal Tool Kit Size 1/0 (T118280)	9A-14
11-7576-37	Contact Removal Tool Kit Size 18 (T118249)	9A-14
11-7674-2★ (Skt)	Contact Removal Tool Kit Size 4 (T118270)	9A-14
11-7674-3★ (Skt)	Contact Removal Tool Kit Size 1/0 (T118280)	9A-14
11-8220	Contact Insertion Tool (T117344)	9A-14
11-8250 (kit)	Contact Removal Tool Kit, Size 16, 12 & 8 (T118250)	9A-14
21-33013-1	Socket Contact, Coaxial Size 8 (D12-4000-853)	9A-11
21-33013-3	Socket Contact, Coaxial Size 8 (D12-4210-853)	9A-11
21-33013-4	Socket Contact, Coaxial Size 8 (D12-4500-853)	9A-11
21-33013-5	Socket Contact, Coaxial Size 8 (D12-4110-853)	9A-11
21-33013-6	Socket Contact, Coaxial Size 8 (D12-4300-853)	9A-11
21-33013-8	Socket Contact, Coaxial Size 8 (D12-4400-853)	9A-11
21-33014-1	Pin Contact, Coaxial Size 8 (A12-4000-853)	9A-11
21-33014-3	Pin Contact, Coaxial Size 8 (A12-4210-853)	9A-11
21-33014-4	Pin Contact, Coaxial Size 8 (A12-4500-853)	9A-11
21-33014-6	Pin Contact, Coaxial Size 8 (A12-4300-853)	9A-11
21-33014-8	Pin Contact, Coaxial Size 8 (A12-4400-853)	9A-11
61-1680★-★	Threaded Wall Mount Receptacle (SCP00AJ★)	1A-2
61-1681★-★	Threaded In-line Receptacle (SCP01AJ★)	1A-2
61-1682★-★	Threaded Box Mount Receptacle (SCP02ZJ★)	1A-2
61-1686★-★	Threaded Straight Plug (SCP06AJ★)	1A-2
61-1688★-★	Threaded 90 Degree Plug (SCP08AJ★)	1A-2
62-1680★-★	Threaded Wall Mount Receptacle (SCP00AJ★)	1A-2
62-1681★-★	Threaded In-line Receptacle (SCP01AJ★)	1A-2
62-1682★-★	Threaded Box Mount Receptacle (SCP02YJ★)	1A-2
62-1686★-★	Threaded Straight Plug (SCP06AJ★)	1A-2
62-1688★-★	Threaded 90 Degree Plug Receptacle (SCP08AJ★)	1A-2
68-1070★-★	Threaded Wall Mount Receptacle (SCP1070★[B68])	5A-2
68-1071★-★	Threaded In-line Receptacle (SCP1071★[B68])	5A-2
68-1072★-★	Threaded Box Mount Receptacle (SCP1072★[B68])	5A-2
68-1073★-★	Threaded Jam Nut Receptacle (SCP1073★[B68])	5A-2
68-1074★-★	Threaded Thru-Bulkhead Receptacle (SCP1074★[B68])	5A-2
68-1076★-★	Threaded Straight Plug (SCP1076★[B68])	5A-2
68-1077★-★	Threaded Panel Mount Plug (SCP1077★[B68])	5A-2
68-1079★-★	Threaded Jam Nut Receptacle (SCP1079★[B68])	5A-2
69-3100E★	Threaded Wall Mount Receptacle (SCP00EJ★)	1A-2
69-3100F★	Threaded Wall Mount Receptacle (SCP00GJ★)	1A-2
69-3100R★	Threaded Wall Mount Receptacle (SCP00RJ★)	1A-2
69-3101E★	Threaded In-line Receptacle (SCP01EJ★)	1A-2
69-3101F★	Threaded In-line Receptacle (SCP01GJ★)	1A-2
69-3101R★	Threaded In-line Receptacle (SCP01RJ★)	1A-2
69-3102E★	Threaded Box Mount Receptacle (SCP02YJ★)	1A-2
69-3102R★	Threaded Box Mount Receptacle (SCP02YJ★)	1A-2
69-3103-★	Threaded Wall Mount Receptacle (SCP00SJ★)	1A-2
69-3106-★(824)	Threaded Straight Plug (SCP06SJ★)	1A-2
69-3106E★	Threaded Straight Plug (SCP06EJ★)	1A-2
69-3106F★	Threaded Straight Plug (SCP06GJ★)	1A-2
69-3106R★	Threaded Straight Plug (SCP06RJ★)	1A-2
75-1070★-★	Threaded Wall Mount Receptacle (SCP1070★[B75])	5A-2
75-1071★-★	Threaded In-line Receptacle (SCP1071★[B75])	5A-2
75-1072★-★	Threaded Box Mount Receptacle (SCP1072★[B75])	5A-2

★ Indicates additional alpha-numeric are required to complete part numbers.  
**CS** Contact our Sales Department for information on this part.

# CROSS REFERENCE/INDEX

75-1073★-★	Threaded Jam Nut Receptacle, Wall Mount (SCP1073★[B75])	5A-2
75-1074★-★	Threaded Thru-Bulkhead Receptacle (SCP1074★[B75])	5A-2
75-1076★-★	Threaded Straight Plug (SCP1076★[B75])	5A-2
75-1077★-★	Threaded Panel Mount Plug (SCP1077★[B75])	5A-2
75-1079★-★	Threaded Jam Nut Receptacle, Box Mount (SCP1079★[B75])	5A-2
80-1070★-★	Threaded Wall Mount Receptacle (SCP1070★[B80])	5A-2
80-1071★-★	Threaded In-line Receptacle (SCP1071★[B80])	5A-2
80-1072★-★	Threaded Box Mount Receptacle (SCP1072★[B80])	5A-2
80-1073★-★	Threaded Jam Nut Receptacle (SCP1073★[B80])	5A-2
80-1074★-★	Threaded Thru-Bulkhead Receptacle (SCP1074★[B80])	5A-2
80-1076★-★	Threaded Straight Plug (SCP1076★[B80])	5A-2
80-1077★-★	Threaded Panel Mount Plug (SCP1077★[B80])	5A-2
80-1079★-★	Threaded Jam Nut Receptacle (SCP1079★[B80])	5A-2
81-1070★-★	Threaded Wall Mount Receptacle (SCP1070★[B81])	5A-2
81-1071★-★	Threaded In-line Receptacle (SCP1071★[B81])	5A-2
81-1072★-★	Threaded Box Mount Receptacle (SCP1072★[B81])	5A-2
81-1073★-★	Threaded Jam Nut Receptacle (SCP1073★[B81])	5A-2
81-1074★-★	Threaded Thru-Bulkhead Receptacle (SCP1074★[B81])	5A-2
81-1076★-★	Threaded Straight Plug (SCP1076★[B81])	5A-2
81-1077★-★	Threaded Panel Mount Plug (SCP1077★[B81])	5A-2
81-1079★-★	Threaded Jam Nut Receptacle (SCP1079★[B81])	5A-2
82-1070★-★	Threaded Wall Mount Receptacle (SCP1070★[B82])	5A-2
82-1071★-★	Threaded In-line Receptacle (SCP1071★[B82])	5A-2
82-1072★-★	Threaded Box Mount Receptacle (SCP1072★[B82])	5A-2
82-1073★-★	Threaded Jam Nut Receptacle (SCP1073★[B82])	5A-2
82-1074★-★	Threaded Thru-Bulkhead Receptacle (SCP1074★[B82])	5A-2
82-1076★-★	Threaded Straight Plug (SCP1076★[B82])	5A-2
82-1077★-★	Threaded Panel Mount Plug (SCP1077★[B82])	5A-2
82-1079★-★	Threaded Jam Nut Receptacle (SCP1079★[B82])	5A-2
83-1070★-★	Threaded Wall Mount Receptacle (SCP1070★[B83])	5A-2
83-1071★-★	Threaded In-line Receptacle (SCP1071★[B83])	5A-2
83-1072★-★	Threaded Box Mount Receptacle (SCP1072★[B83])	5A-2
83-1073★-★	Threaded Jam Nut Receptacle (SCP1073★[B83])	5A-2
83-1074★-★	Threaded Thru-Bulkhead Receptacle (SCP1074★[B83])	5A-2
83-1076★-★	Threaded Straight Plug (SCP1076★[B83])	5A-2
83-1077★-★	Threaded Panel Mount Plug (SCP1077★[B83])	5A-2
83-1079★-★	Threaded Jam Nut Receptacle (SCP1079★[B83])	5A-2
85-1070★-★	Threaded Wall Mount Receptacle (SCP1070★[B85])	5A-2
85-1071★-★	Threaded In-line Receptacle (SCP1071★[B85])	5A-2
85-1072★-★	Threaded Box Mount Receptacle (SCP1072★[B85])	5A-2
85-1073★-★	Threaded Jam Nut Receptacle (SCP1073★[B85])	5A-2
85-1074★-★	Threaded Thru-Bulkhead Receptacle (SCP1074★[B85])	5A-2
85-1076★-★	Threaded Straight Plug (SCP1076★[B85])	5A-2
85-1077★-★	Threaded Panel Mount Plug (SCP1077★[B85])	5A-2
85-1079★-★	Threaded Jam Nut Receptacle (SCP1079★[B85])	5A-2
88-2560★-★	Threaded Wall Mount Receptacle (SCP17343R★C★)	5A-2
88-2561★-★	Threaded In-line Receptacle (SCP17345R★C★)	5A-2
88-2562★-★	Threaded Box Mount Receptacle (SCP17346R★C★)	5A-2
88-2563★-★	Threaded Jam Nut Receptacle, Wall Mount (SCP17347R★C★)	5A-2
88-2566★-★	Threaded Straight Plug (SCP17344R★C★)	5A-2
88-2569★-★	Threaded Jam Nut Receptacle, Box Mount (SCP17348R★C★)	5A-2
88-4560★-★	Threaded Wall Mount Receptacle (SCP17343C★C★)	5A-2
88-4561★-★	Threaded In-line Receptacle (SCP17345C★C★)	5A-2
88-4562★-★	Threaded Box Mount Receptacle (SCP17346C★C★)	5A-2
88-4563★-★	Threaded Jam Nut Receptacle, Wall Mount (SCP17347C★C★)	5A-2
88-4566★-★	Threaded Straight Plug (SCP17344C★C★)	5A-2
88-4569★-★	Threaded Jam Nut Receptacle, Box Mount (SCP17348R★C★)	5A-2
97-3100A★	Threaded Wall Mount Receptacle (SCP00AJ★)	1A-2
97-3100C★	Threaded Wall Mount Receptacle (SCP00CJ★)	1A-2
97-3101A★	Threaded In-line Receptacle (SCP01AJ★)	1A-2
97-3102A★	Threaded Box Mount Receptacle (SCP02AJ★)	1A-2
97-3102C★	Threaded Box Mount Receptacle (SCP0CAJ★)	1A-2
97-3106A★	Threaded Straight Plug (SCP06AJ★)	1A-2
97-3106★(824)	Threaded Straight Plug (SCP06TJ★)	1A-2
97-3107A★	Threaded Straight Plug (SCP07AJ★)	1A-2
97-3108A★	Threaded 90 Degree Plug (SCP08AJ★)	1A-2
97-5105★	Threaded Panel Mount Plug (SCP05ZJ★)	1A-2
226-1017-000	Contact Guide Pin Size 16 ( T125001 )	9A-14

★ Indicates additional alpha- numerics are required to complete part numbers.  
 CS Contact our Sales Department for information on this part.



226-1018-000	Contact Guide Pin Size 12 ( T125002 )	9A-14
259-021Z2A-0-2	Crimp Adapter (907-2182-140)	9A-8
259-021Z2A-0-4	Crimp Adapter (907-2180-140)	9A-8
259-021Z2A-0-6	Crimp Adapter (907-2175-140)	9A-8
259-021Z2A-0-8	Crimp Adapter (907-2173-140)	9A-8
259-021Z2A-0-10MM	Crimp Adapter (907-2174-140)	9A-8
259-021Z2A-0-16MM	Crimp Adapter (907-2176-140)	9A-8
259-021Z2A-0-25MM	Crimp Adapter (907-2179-140)	9A-8
259-021Z2A-0-35MM	Crimp Adapter (907-2184-140)	9A-8
259-021Z2A-0-50MM	Crimp Adapter (907-2185-140)	9A-8
259-021Z2A-00-50MM	Crimp Adapter (907-2206-140)	9A-8
259-021Z2A-00-70MM	Crimp Adapter (907-2205-140)	9A-8
259-021Z2A-12-16	Crimp Adapter (907-2040-140)	9A-8
259-021Z2A-12-18	Crimp Adapter (907-2039-140)	9A-8
259-021Z2A-12-20	Crimp Adapter (907-2038-140)	9A-8
259-021Z2A-16-20	Crimp Adapter (907-2030-140)	9A-8
259-021Z2A-16-22	Crimp Adapter (907-2025-140)	9A-8
259-021Z2A-16-24	Crimp Adapter (907-2016-140)	9A-8
259-021Z2A-16-26	Crimp Adapter (907-2013-140)	9A-8
259-021Z2A-20-26	Crimp Adapter (907-2005-140)	9A-8
259-021Z2A--4-10	Crimp Adapter (907-2108-140)	9A-8
259-021Z2A-4-10MM	Crimp Adapter (907-2112-140)	9A-8
259-021Z2A-4-12	Crimp Adapter (907-2118-140)	9A-8
259-021Z2A-4-15MM	Crimp Adapter (907-2152-140)	9A-8
259-021Z2A-4-16MM	Crimp Adapter (907-2153-140)	9A-8
259-021Z2A-4-2.5MM	Crimp Adapter (907-2119-140)	9A-8
259-021Z2A-4-6	Crimp Adapter (907-2120-140)	9A-8
259-021Z2A-4-6MM	Crimp Adapter (907-2109-140)	9A-8
259-021Z2A-4-8	Crimp Adapter (907-2110-140)	9A-8
259-021Z2A-70MM-25MM	Crimp Adapter (907-2210-140)	9A-8
259-021Z2A-70MM-50MM	Crimp Adapter (907-2211-140)	9A-8
259-021Z2A-8-10	Crimp Adapter (907-2068-140)	9A-8
259-021Z2A-8-12	Crimp Adapter (907-2060-140)	9A-8
259-021Z2A-8-14	Crimp Adapter (907-2055-140)	9A-8
259-021Z2A-8-16	Crimp Adapter (907-2050-140)	9A-8
259-021Z2A-8-18	Crimp Adapter (907-2049-140)	9A-8
259-021Z2A--8-6MM	Crimp Adapter (907-2071-140)	9A-8
259-021Z3A-00-50MM	Crimp Adapter (907-2206-110)	9A-8
259-021Z3A-00-70MM	Crimp Adapter (907-2205-110)	9A-8
259-021Z3A-0-10MM	Crimp Adapter (907-2174-110)	9A-8
259-021Z3A-0-16MM	Crimp Adapter (907-2176-110)	9A-8
259-021Z3A-0-2	Crimp Adapter (907-2182-110)	9A-8
259-021Z3A-0-25MM	Crimp Adapter (907-2179-110)	9A-8
259-021Z3A-0-35MM	Crimp Adapter (907-2184-110)	9A-8
259-021Z3A-0-4	Crimp Adapter (907-2180-110)	9A-8
259-021Z3A-0-50MM	Crimp Adapter (907-2185-110)	9A-8
259-021Z3A-0-6	Crimp Adapter (907-2175-110)	9A-8
259-021Z3A-0-8	Crimp Adapter (907-2173-110)	9A-8
259-021Z3A-12-16	Crimp Adapter (907-2040-110)	9A-8
259-021Z3A-12-18	Crimp Adapter (907-2039-110)	9A-8
259-021Z3A-12-20	Crimp Adapter (907-2038-110)	9A-8
259-021Z3A-16-20	Crimp Adapter (907-2030-110)	9A-8
259-021Z3A-16-22	Crimp Adapter (907-2025-110)	9A-8
259-021Z3A-16-24	Crimp Adapter (907-2016-110)	9A-8
259-021Z3A-16-26	Crimp Adapter (907-2013-110)	9A-8
259-021Z3A-20-26	Crimp Adapter (907-2005-110)	9A-8
259-021Z3A-4-10	Crimp Adapter (907-2108-110)	9A-8
259-021Z3A-4-10MM	Crimp Adapter (907-2112-110)	9A-8
259-021Z3A-4-12	Crimp Adapter (907-2118-110)	9A-8
259-021Z3A-4-15MM	Crimp Adapter (907-2152-110)	9A-8
259-021Z3A-4-16MM	Crimp Adapter (907-2153-110)	9A-8
259-021Z3A-4-2.5MM	Crimp Adapter (907-2119-110)	9A-8
259-021Z3A-4-6	Crimp Adapter (907-2120-110)	9A-8
259-021Z3A-4-6MM	Crimp Adapter (907-2109-110)	9A-8
259-021Z3A-4-8	Crimp Adapter (907-2110-110)	9A-8
226-1017-000	Contact Guide Pin Size 16 ( T125001 )	9A-14
226-1018-000	Contact Guide Pin Size 12 ( T125002 )	9A-14
259-021Z2A-00-50MM	Crimp Adapter (907-2206-140)	9A-8

★ Indicates additional alpha-numeric are required to complete part numbers.  
**CS** Contact our Sales Department for information on this part.

# CROSS REFERENCE/INDEX

259-021Z2A-00-70MM	Crimp Adapter (907-2205-140)	9A-8
259-021Z2A-0-10MM	Crimp Adapter (907-2174-140)	9A-8
259-021Z2A-0-16MM	Crimp Adapter (907-2176-140)	9A-8
259-021Z2A-0-2	Crimp Adapter (907-2182-140)	9A-8
259-021Z2A-0-25MM	Crimp Adapter (907-2179-140)	9A-8
259-021Z2A-0-35MM	Crimp Adapter (907-2184-140)	9A-8
259-021Z2A-0-4	Crimp Adapter (907-2180-140)	9A-8
259-021Z2A-0-50MM	Crimp Adapter (907-2185-140)	9A-8
259-021Z2A-0-6	Crimp Adapter (907-2175-140)	9A-8
259-021Z2A-0-8	Crimp Adapter (907-2173-140)	9A-8
259-021Z2A-12-16	Crimp Adapter (907-2040-140)	9A-8
259-021Z2A-12-18	Crimp Adapter (907-2039-140)	9A-8
259-021Z2A-12-20	Crimp Adapter (907-2038-140)	9A-8
259-021Z2A-16-20	Crimp Adapter (907-2030-140)	9A-8
259-021Z2A-16-22	Crimp Adapter (907-2025-140)	9A-8
259-021Z2A-16-24	Crimp Adapter (907-2016-140)	9A-8
259-021Z2A-16-26	Crimp Adapter (907-2013-140)	9A-8
259-021Z2A-20-26	Crimp Adapter (907-2005-140)	9A-8
259-021Z2A--4-10	Crimp Adapter (907-2108-140)	9A-8
259-021Z2A-4-10MM	Crimp Adapter (907-2112-140)	9A-8
259-021Z2A-4-12	Crimp Adapter (907-2118-140)	9A-8
259-021Z2A-4-15MM	Crimp Adapter (907-2152-140)	9A-8
259-021Z2A-4-16MM	Crimp Adapter (907-2153-140)	9A-8
259-021Z2A-4-2.5MM	Crimp Adapter (907-2119-140)	9A-8
259-021Z2A-4-6	Crimp Adapter (907-2120-140)	9A-8
259-021Z2A-4-6MM	Crimp Adapter (907-2109-140)	9A-8
259-021Z2A-4-8	Crimp Adapter (907-2110-140)	9A-8
259-021Z2A-70MM-25MM	Crimp Adapter (907-2210-140)	9A-8
259-021Z2A-70MM-50MM	Crimp Adapter (907-2211-140)	9A-8
259-021Z2A-8-10	Crimp Adapter (907-2068-140)	9A-8
259-021Z2A-8-12	Crimp Adapter (907-2060-140)	9A-8
259-021Z2A-8-14	Crimp Adapter (907-2055-140)	9A-8
259-021Z2A-8-16	Crimp Adapter (907-2050-140)	9A-8
259-021Z2A-8-18	Crimp Adapter (907-2049-140)	9A-8
259-021Z2A--8-6MM	Crimp Adapter (907-2071-140)	9A-8
259-021Z3A-00-50MM	Crimp Adapter (907-2206-110)	9A-8
259-021Z3A-00-70MM	Crimp Adapter (907-2205-110)	9A-8
259-021Z3A-0-10MM	Crimp Adapter (907-2174-110)	9A-8
259-021Z3A-0-16MM	Crimp Adapter (907-2176-110)	9A-8
259-021Z3A-0-2	Crimp Adapter (907-2182-110)	9A-8
259-021Z3A-0-25MM	Crimp Adapter (907-2179-110)	9A-8
259-021Z3A-0-35MM	Crimp Adapter (907-2184-110)	9A-8
259-021Z3A-0-4	Crimp Adapter (907-2180-110)	9A-8
259-021Z3A-0-50MM	Crimp Adapter (907-2185-110)	9A-8
259-021Z3A-0-6	Crimp Adapter (907-2175-110)	9A-8
259-021Z3A-0-8	Crimp Adapter (907-2173-110)	9A-8
259-021Z3A-12-16	Crimp Adapter (907-2040-110)	9A-8
259-021Z3A-12-18	Crimp Adapter (907-2039-110)	9A-8
259-021Z3A-12-20	Crimp Adapter (907-2038-110)	9A-8
259-021Z3A-16-20	Crimp Adapter (907-2030-110)	9A-8
259-021Z3A-16-22	Crimp Adapter (907-2025-110)	9A-8
259-021Z3A-16-24	Crimp Adapter (907-2016-110)	9A-8
259-021Z3A-16-26	Crimp Adapter (907-2013-110)	9A-8
259-021Z3A-20-26	Crimp Adapter (907-2005-110)	9A-8
259-021Z3A-4-10	Crimp Adapter (907-2108-110)	9A-8
259-021Z3A-4-10MM	Crimp Adapter (907-2112-110)	9A-8
259-021Z3A-4-12	Crimp Adapter (907-2118-110)	9A-8
259-021Z3A-4-15MM	Crimp Adapter (907-2152-110)	9A-8
259-021Z3A-4-16MM	Crimp Adapter (907-2153-110)	9A-8
259-021Z3A-4-2.5MM	Crimp Adapter (907-2119-110)	9A-8
259-021Z3A-4-6	Crimp Adapter (907-2120-110)	9A-8
259-021Z3A-4-6MM	Crimp Adapter (907-2109-110)	9A-8
259-021Z3A-4-8	Crimp Adapter (907-2110-110)	9A-8
259-021Z3A-70MM-25MM	Crimp Adapter (907-2210-110)	9A-8
259-021Z3A-70MM-50MM	Crimp Adapter (907-2211-110)	9A-8
259-021Z3A-8-10	Crimp Adapter (907-2068-110)	9A-8
259-021Z3A-8-12	Crimp Adapter (907-2060-110)	9A-8
259-021Z3A-8-14	Crimp Adapter (907-2055-110)	9A-8

★ Indicates additional alpha-numerics are required to complete part numbers.  
 CS Contact our Sales Department for information on this part.



259-021Z3A-8-16	Crimp Adapter (907-2050-110)	9A-8
259-021Z3A-8-18	Crimp Adapter (907-2049-110)	9A-8
259-021Z3A-8-6MM	Crimp Adapter (907-2071-110)	9A-8
300	Crimp Tool	9A-12
314DA-12	Crimp Tool Die	9A-12
314DA-16	Crimp Tool Die	9A-12
314DA-20	Crimp Tool Die	9A-12
400-BHD	Crimp Tool	9A-12
414DA-0N	Crimp Tool Die	9A-12
414DA-0N315	Crimp Tool Die	9A-12
414DA-4N	Crimp Tool Die	9A-12
414DA-4N	Crimp Tool Die	9A-12
414DA-4N215	Crimp Tool Die	9A-12
414DA-6N155	Crimp Tool Die	9A-12
414DA-6N170	Crimp Tool Die	9A-12
414DA-8N142	Crimp Tool Die	9A-12
414DA-10N	Crimp Tool Die	9A-12
414DA-10N096	Crimp Tool Die	9A-12
414DA-10N105	Crimp Tool Die	9A-12
414DA-12N	Crimp Tool Die	9A-12
414DA-12N077	Crimp Tool Die	9A-12
414DA-16N	Crimp Tool Die	9A-12
414DA-18N	Crimp Tool Die	9A-12
414DA-20N	Crimp Tool Die	9A-12
414DA-22N	Crimp Tool Die	9A-12
500-D	Crimp Tool	9A-12
514DA-N345	Crimp Tool Die	9A-12
514DA-N470	Crimp Tool Die	9A-12
514DA-0N	Crimp Tool Die	9A-12
514DA-0N315	Crimp Tool Die	9A-12
514DA-4N	Crimp Tool Die	9A-12
514DA-4N215	Crimp Tool Die	9A-12
514DA-6N155	Crimp Tool Die	9A-12
514DA-6N170	Crimp Tool Die	9A-12
514DA-8N142	Crimp Tool Die	9A-12
514DA-10N	Crimp Tool Die	9A-12
514DA-10N096	Crimp Tool Die	9A-12
514DA-10N105	Crimp Tool Die	9A-12
514DA-12N	Crimp Tool Die	9A-12
514DA-12N077	Crimp Tool Die	9A-12
514DA-16N	Crimp Tool Die	9A-12
514DA-16N048	Crimp Tool Die	9A-12
514DA-18N	Crimp Tool Die	9A-12
514DA-20N	Crimp Tool Die	9A-12
907-1★	Crimp Adapter	9A-10
907-2★	Crimp Adapter	9A-8
8500-781	Crimp Adapter (907-2010-140)	9A-8
8500-1985	Crimp Adapter (907-2030-140)	9A-8
9440F★	Threaded Wall Mount Receptacle (SC50L★)	3A-2
9440FS★	Threaded Wall Mount Receptacle (SC50LS★)	3A-2
9440K★	Threaded Wall Mount Receptacle (SC50K★)	3A-2
9440KS★	Threaded Wall Mount Receptacle (SC50KS★)	3A-2
9440KT★	Threaded Wall Mount Receptacle (SC50KT★)	3A-2
9440W★	Threaded Wall Mount Receptacle (SC50W★)	3A-2
9441F★	Threaded In-line Receptacle (SC51L★)	3A-2
9441FS★	Threaded In-line Receptacle (SC51LS★)	3A-2
9441W★	Threaded In-line Receptacle (SC51W★)	3A-2
9442F★	Threaded Box Mount Receptacle (SC52L★)	3A-2
9442FS★	Threaded Box Mount Receptacle (SC52LS★)	3A-2
9442W★	Threaded Box Mount Receptacle (SC52W★)	3A-2
9444F★	Threaded Jam Nut Receptacle (SC54L★)	3A-2
9444FS★	Threaded Jam Nut Receptacle (SC54LS★)	3A-2
9444W★	Threaded Jam Nut Receptacle (SC54W★)	3A-2
94446F★	Threaded Straight Plug (SC56L★)	3A-2
94446FS★	Threaded Straight Plug (SC56LS★)	3A-2
94446K★	Threaded Straight Plug (SC56K★)	3A-2
94446KS★	Threaded Straight Plug (SC56KS★)	3A-2
94446KT★	Threaded Straight Plug (SC56KT★)	3A-2

★ Indicates additional alpha-numeric are required to complete part numbers.  
**CS** Contact our Sales Department for information on this part.

# CROSS REFERENCE/INDEX

94446W★	Threaded Straight Plug (SC56W★)	3A-2
9632	Crimp Tool Locator	9A-12
9633	Crimp Tool Locator	9A-12
9634	Crimp Tool Locator	9A-12
9635	Crimp Tool Locator	9A-12
9636	Crimp Tool Locator	9A-12
9637	Crimp Tool Locator	9A-12
9638	Crimp Tool Locator	9A-12
9639	Crimp Tool Locator	9A-12
9641	Crimp Tool Locator	9A-12
9642	Crimp Tool Locator	9A-12
9816F★	Threaded-Self-Locking Straight Plug (SC59L★)	3A-2
9816FS★	Threaded-Self-Locking Straight Plug (SC59LS★)	3A-2
9816KS★	Threaded-Self-Locking Straight Plug (SC59KS★)	3A-2
9816KT★	Threaded-Self-Locking Straight Plug (SC59KT★)	3A-2
9816W★	Threaded-Self-Locking Straight Plug (SC59W★)	3A-2
10627	Crimp Tool Locator	9A-12
10628	Crimp Tool Locator	9A-12
10629	Crimp Tool Locator	9A-12
10630	Crimp Tool Locator	9A-12
10631	Crimp Tool Locator	9A-12
10632	Crimp Tool Locator	9A-12
10633	Crimp Tool Locator	9A-12
10634	Crimp Tool Locator	9A-12
10635	Crimp Tool Locator	9A-12
10636	Crimp Tool Locator	9A-12
10637	Crimp Tool Locator	9A-12
10638	Crimp Tool Locator	9A-12
10639	Crimp Tool Locator	9A-12
10640	Crimp Tool Locator	9A-12
10641	Crimp Tool Locator	9A-12
27911-12-T12	Pin Contact, Size 16S (R12-4912-140)	9A-4
27911-13-T9	Pin Contact, Size 16S (R12-4913-110)	9A-4
27911-13-T12	Pin Contact, Size 16S (R12-4913-140)	9A-4
27911-15-T9	Pin Contact, Size 16S (R12-4915-110)	9A-4
27911-15-T12	Pin Contact, Size 16S (R12-4915-140)	9A-4
27911-20-T9	Pin Contact, Size 16S (R12-4920-110)	9A-4
27911-20-T12	Pin Contact, Size 16S (R12-4920-140)	9A-4
27911-26-T9	Pin Contact, Size 16S (R12-4926-110)	9A-4
27911-26-T12	Pin Contact, Size 16S (R12-4926-140)	9A-4
27911-T9	Pin Contact, Size 16S (R12-4900-110)	9A-4
27911-T12	Pin Contact, Size 16S (R12-4900-140)	9A-4
27913-08-T9	Pin Contact, Size 16 (R12-3608-110)	9A-4
27913-08-T12	Pin Contact, Size 16 (R12-3608-140)	9A-4
27913-12-T9	Pin Contact, Size 16 (R12-3612-110)	9A-4
27913-12-T12	Pin Contact, Size 16 (R12-3612-140)	9A-4
27913-13-T9	Pin Contact, Size 16 (R12-3613-110)	9A-4
27913-13-T12	Pin Contact, Size 16 (R12-3613-140)	9A-4
27913-T9	Pin Contact, Size 16 (R12-3600-110)	9A-4
27913-T12	Pin Contact, Size 16 (R12-3600-140)	9A-4
27913-15-T9	Pin Contact, Size 16 (R12-3615-110)	9A-4
27913-15-T12	Pin Contact, Size 16 (R12-3615-140)	9A-4
27913-20-T9	Pin Contact, Size 16 (R12-3620-110)	9A-4
27913-20-T12	Pin Contact, Size 16 (R12-3620-140)	9A-4
27913-23-T9	Pin Contact, Size 16 (R12-3632-110)	9A-4
27913-23-T12	Pin Contact, Size 16 (R12-3632-140)	9A-4
27913-26-T9	Pin Contact, Size 16 (R12-3626-110)	9A-4
27913-26-T12	Pin Contact, Size 16 (R12-3626-140)	9A-4
27914-12-T9	Pin Contact, Size 12 (R12-6412-110)	9A-5
27914-12-T12	Pin Contact, Size 12 (R12-6412-140)	9A-5
27914-15-T9	Pin Contact, Size 12 (R12-6415-110)	9A-5
27914-15-T12	Pin Contact, Size 12 (R12-6415-140)	9A-5
27914-20-T9	Pin Contact, Size 12 (R12-6420-110)	9A-5
27914-20-T12	Pin Contact, Size 12 (R12-6420-140)	9A-5
27914-22-T9	Pin Contact, Size 12 (R12-6422-110)	9A-5
27914-22-T12	Pin Contact, Size 12 (R12-6422-140)	9A-5
27914-26-T9	Pin Contact, Size 12 (R12-6400-110)	9A-5
27914-26-T12	Pin Contact, Size 12 (R12-6400-140)	9A-5

★ Indicates additional alpha- numerics are required to complete part numbers.  
 CS Contact our Sales Department for information on this part.



# CROSS REFERENCE/INDEX

27914-30-T9	Pin Contact, Size 12 (R12-6430-110)	9A-5
27914-30-T12	Pin Contact, Size 12 (R12-6430-140)	9A-5
27914-30M-T9	Pin Contact, Size 12 (R12-6431-110)	9A-5
27914-30M-T12	Pin Contact, Size 12 (R12-6431-140)	9A-5
27914-38-T9	Pin Contact, Size 12 (R12-6438-110)	9A-5
27914-38-T12	Pin Contact, Size 12 (R12-6438-140)	9A-5
27915-T9	Pin Contact, Size 8 (R12-7900-110)	9A-5
27915-T12	Pin Contact, Size 8 (R12-7900-140)	9A-5
27915-15-T9	Pin Contact, Size 8 (R12-7915-110)	9A-5
27915-15-T12	Pin Contact, Size 8 (R12-7915-140)	9A-5
27915-18-T9	Pin Contact, Size 8 (R12-7918-110)	9A-5
27915-18-T12	Pin Contact, Size 8 (R12-7918-140)	9A-5
27916-T9	Pin Contact, Size 4 (R12-8500-110)	9A-5
27916-T12	Pin Contact, Size 4 (R12-8500-140)	9A-5
27916-22-T9	Pin Contact, Size 4 (R12-8522-110)	9A-5
27916-22-T12	Pin Contact, Size 4 (R12-8522-140)	9A-5
27916-26-T9	Pin Contact, Size 4 (R12-8526-110)	9A-5
27916-26-T12	Pin Contact, Size 4 (R12-8526-140)	9A-5
27916-30-T9	Pin Contact, Size 4 (R12-8530-110)	9A-5
27916-30-T12	Pin Contact, Size 4 (R12-8530-140)	9A-5
27916-50-T9	Pin Contact, Size 4 (R12-8550-110)	9A-5
27916-50-T12	Pin Contact, Size 4 (R12-8550-140)	9A-5
27916-62-T9	Pin Contact, Size 4 (R12-8562-110)	9A-5
27916-62-T12	Pin Contact, Size 4 (R12-8562-140)	9A-5
27917-T9	Pin Contact, Size 1/0 (R12-9200-110)	9A-5
27917-T12	Pin Contact, Size 1/0 (R12-9200-140)	9A-5
27917-45-T9	Pin Contact, Size 1/0 (R12-9245-110)	9A-5
27917-45-T12	Pin Contact, Size 1/0 (R12-9245-140)	9A-5
27917-50-T9	Pin Contact, Size 1/0 (R12-9250-110)	9A-5
27917-50-T12	Pin Contact, Size 1/0 (R12-9250-140)	9A-5
27917-78-T9	Pin Contact, Size 1/0 (R12-9225-110)	9A-5
27917-78-T12	Pin Contact, Size 1/0 (R12-9225-140)	9A-5
27917-90-T9	Pin Contact, Size 1/0 (R12-9235-110)	9A-5
27917-90-T12	Pin Contact, Size 1/0 (R12-9235-140)	9A-5
27917-107-T9	Pin Contact, Size 1/0 (R12-9275-110)	9A-5
27917-107-T12	Pin Contact, Size 1/0 (R12-9275-140)	9A-5
27935-T9	Socket Contact, Size 8 (T12-7900-140)	9A-7
27935-T12	Socket Contact, Size 8 (T12-8000-540)	9A-7
27935-15-T9	Socket Contact, Size 8 (T12-7915-140)	9A-7
27935-15-T12	Socket Contact, Size 8 (T12-8015-540)	9A-7
27935-18-T9	Socket Contact, Size 8 (T12-7918-140)	9A-7
27935-18-T12	Socket Contact, Size 8 (T12-8018-540)	9A-7
27935-30-T9	Socket Contact, Size 8 (T12-7930-140)	9A-7
27935-30-T12	Socket Contact, Size 8 (T12-8030-540)	9A-7
27935-50-T9	Socket Contact, Size 8 (T12-7950-140)	9A-7
27935-50-T12	Socket Contact, Size 8 (T12-8050-540)	9A-7
27935-58-T9	Socket Contact, Size 8 (T12-7958-140)	9A-7
27935-58-T12	Socket Contact, Size 8 (T12-8058-540)	9A-7
27936-T9	Socket Contact, Size 4 (T12-8500-140)	9A-7
27936-T12	Socket Contact, Size 4 (T12-8600-540)	9A-7
27936-22-T9	Socket Contact, Size 4 (T12-8522-140)	9A-7
27936-22-T12	Socket Contact, Size 4 (T12-8622-540)	9A-7
27936-26-T9	Socket Contact, Size 4 (T12-8526-140)	9A-7
27936-26-T12	Socket Contact, Size 4 (T12-8626-540)	9A-7
27936-30-T9	Socket Contact, Size 4 (T12-8530-140)	9A-7
27936-30-T12	Socket Contact, Size 4 (T12-8630-540)	9A-7
27936-50-T9	Socket Contact, Size 4 (T12-8550-140)	9A-7
27936-50-T12	Socket Contact, Size 4 (T12-8650-540)	9A-7
27936-62-T9	Socket Contact, Size 4 (T12-8562-140)	9A-7
27936-62-T12	Socket Contact, Size 4 (T12-8662-540)	9A-7
27937-T9	Socket Contact, Size 1/0 (T12-9200-140)	9A-7
27937-T12	Socket Contact, Size 1/0 (T12-9300-540)	9A-7
27937-45-T9	Socket Contact, Size 1/0 (T12-9245-140)	9A-7
27937-45-T12	Socket Contact, Size 1/0 (T12-9345-540)	9A-7
27937-50-T9	Socket Contact, Size 1/0 (T12-9250-140)	9A-7
27937-50-T12	Socket Contact, Size 1/0 (T12-9350-540)	9A-7
27937-78-T9	Socket Contact, Size 1/0 (T12-9225-140)	9A-7
27937-78-T12	Socket Contact, Size 1/0 (T12-9325-540)	9A-7

★ Indicates additional alpha-numeric are required to complete part numbers.  
**CS** Contact our Sales Department for information on this part.

# CROSS REFERENCE/INDEX

27937-90-T9	Socket Contact, Size 1/0 (T12-9235-140)	9A-7
27937-90-T12	Socket Contact, Size 1/0 (T12-9335-540)	9A-7
27937-107-T9	Socket Contact, Size 1/0 (T12-9275-140)	9A-7
27937-107-T12	Socket Contact, Size 1/0 (T12-9375-540)	9A-7
27961-T9	Socket Contact, Size 16S (T12-4900-110)	9A-6
27961-T12	Socket Contact, Size 16S (T12-4900-140)	9A-6
27961-12-T9	Socket Contact, Size 16S (T12-4912-110)	9A-6
27961-12-T12	Socket Contact, Size 16S (T12-4912-140)	9A-6
27961-13-T9	Socket Contact, Size 16S (T12-4913-110)	9A-6
27961-13-T12	Socket Contact, Size 16S (T12-4913-140)	9A-6
27961-15-T9	Socket Contact, Size 16S (T12-4915-110)	9A-6
27961-15-T12	Socket Contact, Size 16S (T12-4915-140)	9A-6
27961-20-T9	Socket Contact, Size 16S (T12-4920-110)	9A-6
27961-20-T12	Socket Contact, Size 16S (T12-4920-140)	9A-6
27961-26-T9	Socket Contact, Size 16S (T12-4926-110)	9A-6
27961-26-T12	Socket Contact, Size 16S (T12-4926-140)	9A-6
27963-08-T9	Socket Contact, Size 16 (T12-3608-110)	9A-6
27963-08-T12	Socket Contact, Size 16 (T12-3608-140)	9A-6
27963-12-T9	Socket Contact, Size 16 (T12-3612-110)	9A-6
27963-12-T12	Socket Contact, Size 16 (T12-3612-140)	9A-6
27963-13-T9	Socket Contact, Size 16 (T12-3613-110)	9A-6
27963-13-T12	Socket Contact, Size 16 (T12-3613-140)	9A-6
27963-15-T9	Socket Contact, Size 16 (T12-3615-110)	9A-6
27963-15-T12	Socket Contact, Size 16 (T12-3615-140)	9A-6
27963-20-T9	Socket Contact, Size 16 (T12-3620-110)	9A-6
27963-20-T12	Socket Contact, Size 16 (T12-3620-140)	9A-6
27963-26-T9	Socket Contact, Size 16 (T12-3626-110)	9A-6
27963-26-T12	Socket Contact, Size 16 (T12-3626-140)	9A-6
27963-32-T9	Socket Contact, Size 16 (T12-3632-110)	9A-6
27963-32-T12	Socket Contact, Size 16 (T12-3632-140)	9A-6
27963-T9	Socket Contact, Size 16 (T12-3600-110)	9A-6
27963-T12	Socket Contact, Size 16 (T12-3600-140)	9A-6
27964-12-T9	Socket Contact, Size 12 (T12-6412-110)	9A-7
27964-12-T12	Socket Contact, Size 12 (T12-6412-140)	9A-7
27964-15-T9	Socket Contact, Size 12 (T12-6415-110)	9A-7
27964-15-T12	Socket Contact, Size 12 (T12-6415-140)	9A-7
27964-20-T9	Socket Contact, Size 12 (T12-6420-110)	9A-7
27964-20-T12	Socket Contact, Size 12 (T12-6420-140)	9A-7
27964-22-T9	Socket Contact, Size 12 (T12-6422-110)	9A-7
27964-22-T12	Socket Contact, Size 12 (T12-6422-140)	9A-7
27964-26-T9	Socket Contact, Size 12 (T12-6400-110)	9A-7
27964-26-T12	Socket Contact, Size 12 (T12-6400-140)	9A-7
27964-30-T9	Socket Contact, Size 12 (T12-6430-110)	9A-7
27964-30-T12	Socket Contact, Size 12 (T12-6430-140)	9A-7
27964-30M-T9	Socket Contact, Size 12 (T12-6431-110)	9A-7
27964-30M-T12	Socket Contact, Size 12 (T12-6431-140)	9A-7
27964-38-T9	Socket Contact, Size 12 (T12-6438-110)	9A-7
27964-38-T12	Socket Contact, Size 12 (T12-6438-140)	9A-7
27977-16T50	Contact Guide Pin Size 16+12 (T125001)	9A-14
29915-30-T9	Pin Contact, Size 8 (R12-7930-110)	9A-5
29915-30-T12	Pin Contact, Size 8 (R12-7930-140)	9A-5
29915-50-T9	Pin Contact, Size 8 (R12-7950-110)	9A-5
29915-50-T12	Pin Contact, Size 8 (R12-7950-140)	9A-5
29915-58-T9	Pin Contact, Size 8 (R12-7958-110)	9A-5
29915-58-T12	Pin Contact, Size 8 (R12-7958-140)	9A-5
45370-T9	Crimp Adapter (907-2025-110)	9A-8
45370-T12	Crimp Adapter (907-2025-140)	9A-8
45372-T9	Crimp Adapter (907-2039-110)	9A-8
45372-T12	Crimp Adapter (907-2039-140)	9A-8
45373-T9	Crimp Adapter (907-2182-110)	9A-8
45373-T12	Crimp Adapter (907-2182-140)	9A-8
45374-T9	Crimp Adapter (907-2071-110)	9A-8
45374-T12	Crimp Adapter (907-2071-140)	9A-8
45375-T9	Crimp Adapter (907-2179-110)	9A-8
45375-T12	Crimp Adapter (907-2179-140)	9A-8
45376-T9	Crimp Adapter (907-2201-110)	9A-8
45376-T12	Crimp Adapter (907-2201-140)	9A-8
45378-T9	Crimp Adapter (907-2030-110)	9A-8

\* Indicates additional alpha-numerics are required to complete part numbers.  
 CS Contact our Sales Department for information on this part.



45378-T12	Crimp Adapter (907-2030-140)	9A-8
45379-T9	Crimp Adapter (907-2077-110)	9A-8
45379-T12	Crimp Adapter (907-2077-140)	9A-8
46150-0	Contact Removal Tool Kit Size 1/0 (T118280)	9A-14
46150-4	Contact Removal Tool Kit Size 4 (T118270)	9A-14
46226-T9	Crimp Adapter (907-2250-110)	9A-8
46226-T12	Crimp Adapter (907-2250-140)	9A-8
46260-T9	Crimp Adapter (907-2110-110)	9A-8
46260-T12	Crimp Adapter (907-2110-140)	9A-8
46263-T9	Crimp Adapter (907-2056-110)	9A-8
46263-T12	Crimp Adapter (907-2056-140)	9A-8
46264-T9	Crimp Adapter (907-2253-110)	9A-8
46264-T12	Crimp Adapter (907-2253-140)	9A-8
46269-T9	Crimp Adapter (907-2117-110)	9A-8
46269-T12	Crimp Adapter (907-2117-140)	9A-8
46646-0	Pin Contact, Size 1/0 (R12-9246-110)	9A-5
46647-0	Socket Contact, Size 1/0 (T12-9246-510)	9A-7
46661-T9	Crimp Adapter (907-2060-110)	9A-8
46661-T12	Crimp Adapter (907-2060-140)	9A-8
46662-T9	Crimp Adapter (907-2175-110)	9A-8
46662-T12	Crimp Adapter (907-2175-140)	9A-8
46665-T9	Crimp Adapter (907-2150-110)	9A-8
46665-T12	Crimp Adapter (907-2150-140)	9A-8
46666-T9	Crimp Adapter (907-2114-110)	9A-8
46666-T12	Crimp Adapter (907-2114-140)	9A-8
46667-T9	Crimp Adapter (907-2109-110)	9A-8
46667-T12	Crimp Adapter (907-2109-140)	9A-8
46736	Contact Insertion Tool (T117082)	9A-8
46740P-T9	Pin Contact, Size 18 (R12-2500-110)	9A-4
46740P-T12	Pin Contact, Size 18 (R12-2500-140)	9A-4
46740S-T9	Socket Contact, Size 18 (T12-2500-110)	9A-6
46740S-T12	Socket Contact, Size 18 (T12-2500-140)	9A-6
47107-90-T9	Pin Contact, Size 4/0 (R12-9790-110)	9A-5
47107-90-T12	Pin Contact, Size 4/0 (R12-9790-140)	9A-5
47107-115-T9	Pin Contact, Size 4/0 (R12-97115-110)	9A-5
47107-115-T12	Pin Contact, Size 4/0 (R12-97115-140)	9A-5
47107-135-T9	Pin Contact, Size 4/0 (R12-97135-110)	9A-5
47107-135-T12	Pin Contact, Size 4/0 (R12-97135-140)	9A-5
47107-165-T9	Pin Contact, Size 4/0 (R12-9700-110)	9A-5
47107-165-T12	Pin Contact, Size 4/0 (R12-9700-140)	9A-5
47114-90-T9	Socket Contact, Size 4/0 (T12-9790-140)	9A-5
47114-90-T12	Socket Contact, Size 4/0 (T12-9790-540)	9A-5
47114-115-T9	Socket Contact, Size 4/0 (T12-9715-140)	9A-5
47114-115-T12	Socket Contact, Size 4/0 (T12-9715-540)	9A-5
47114-135-T9	Socket Contact, Size 4/0 (T12-9735-140)	9A-5
47114-135-T12	Socket Contact, Size 4/0 (T12-9735-540)	9A-5
47114-165-T9	Socket Contact, Size 4/0 (T12-9700-140)	9A-5
47114-165-T12	Socket Contact, Size 4/0 (T12-9700-540)	9A-5
47227-0-8-T9	Crimp Adapter (907-2173-110)	9A-8
47227-0-8-T12	Crimp Adapter (907-2173-140)	9A-8
47227-16-0.12-T9	Crimp Adapter (907-2013-110)	9A-8
47227-16-0.12-T12	Crimp Adapter (907-2013-140)	9A-8
47227-150-70-T9	Crimp Adapter (907-2230-110)	9A-8
47227-150-70-T12	Crimp Adapter (907-2230-140)	9A-8
600091	Crimp Tool Locator	9A-12
600092M	Crimp Tool Locator	9A-12
600093	Crimp Tool Locator	9A-12
6000245	Crimp Tool Locator	9A-12
7100659	Crimp Tool Locator	9A-12
3001008004	Crimp Adapter (907-2005-110)	9A-8
3001008006	Crimp Adapter (907-2025-110)	9A-8
3001008060	Crimp Adapter (907-2114-110)	9A-8
3001008061	Crimp Adapter (907-2109-110)	9A-8
3001008062	Crimp Adapter (907-2150-110)	9A-8
3001008063	Crimp Adapter (907-2230-110)	9A-8
3001008064	Crimp Adapter (907-2140-110)	9A-8
3001008065	Crimp Adapter (907-2060-110)	9A-8
3001008066	Crimp Adapter (907-2175-110)	9A-8

★ Indicates additional alpha-numeric are required to complete part numbers.  
**CS** Contact our Sales Department for information on this part.

# CROSS REFERENCE/INDEX

3001008067	Crimp Adapter (907-2182-110).....	9A-8
3001008068	Crimp Adapter (907-2068-110).....	9A-8
3001008069	Crimp Adapter (907-2049-110).....	9A-8
3001008080	Crimp Adapter (907-2176-110).....	9A-8
3001008081	Crimp Adapter (907-2201-110).....	9A-8
3001008082	Crimp Adapter (907-2179-110).....	9A-8
3001008083	Crimp Adapter (907-2174-110).....	9A-8
3001008084	Crimp Adapter (907-2202-110).....	9A-8

★ Indicates additional alpha- numerics are required to complete part numbers.  
CS Contact our Sales Department for information on this part.



# We've Got You Covered



Contact  
Spacecraft's  
Consultative Sales Team  
for Ordering Information



YOUR  
**CONNECTOR  
CONSULTANT**  
SINCE 1962

 **SPACECRAFT  
COMPONENTS CORP.**

**702.851.7600**

# SPACECRAFT COMPONENTS CORP.

Your Connector Consultant Since 1962



SCP 5015 STYLE CONNECTORS (CATALOG 102)



SCPT 26482 STYLE SC1 38999 SERIES I SC2 38999 SERIES II SC39 38999 SERIES III (CATALOG 202)



SCP SERIES (CATALOG 302)



CONNECTOR ACCESSORIES (CATALOG 402)



CONNECTORS WITH INTEGRATED BACKSHELLS (CATALOG 601)

**Try our other connector products.**

**COMING SOON... All Plastic Connectors CATALOG 701**



**SPACECRAFT COMPONENTS CORP.**

**Headquarters**

3040 Clayton Street  
North Las Vegas, NV 89032

Phone: 702.851.7600  
Fax: 702.851.7620

Email: salesinfo@spacecraft.com  
Web: www.spacecraft.com

**Florida Office**

4577 Nob Hill Road  
Suite 106  
Sunrise, FL 33351  
Tel: 954.748.4540  
Fax: 954.748.4128

**Italy Office**

Spacecraft Components, sp A  
Milan, Italy  
+39 (335) 719.4512

**Mexico Office**

Av. Constituyentes 13-6 Col. Pueblo Nuevo  
Queretaro, Qro 76900  
+52 442 341 69 63

**CAT-102 10.12**