

Multi-Pin Power Cylindrical Connectors



Primary Markets:

- ▶ Combat Vehicles
- ▶ Industrial Machinery
- ▶ Railway/Transit
- ▶ HMI Lighting



SPACECRAFT
COMPONENTS CORP.

SPACECRAFT AT A GLANCE

Your Connector Consultant
Since 1962



Founded in 1962, Spacecraft is a family-owned, leading manufacturer and distributor of cylindrical connectors for the railways/transit, military, aerospace and various harsh environment markets.

As a Manufacturer, Spacecraft's core focus is manufacturing reverse bayonet connectors geared towards railway and transit applications. Our extensive engineering and manufacturing experience with reverse bayonet connectors provides us with the opportunity to offer a broad range of derivative cylindrical products in a short period of time with an assurance of exceptional quality.

As a Distributor, Spacecraft has developed key partnerships with world-class manufacturers whose products encompass MIL-SPEC and harsh environment industrial connectors. We are an authorized MIL-STD-790 value-added assembler for our principal connector manufacturers, such as Souriau, Reiku, Corsair, Sunbank, Astro Tool Corp., Mencom and Ulti-Mate. We stock a wide and deep variety of QPL components which enables us to provide a vast assortment of completed QPL connectors within a three-day turnaround.

As an Organization, Spacecraft prides itself on providing consultative service by utilizing our greatest asset: Our people!

Spacecraft invites you to tour our best-in-class facility located in North Las Vegas, Nevada, USA.

Spacecraft's Core Values

- MIL-STD-790 Certified
- Over 9 Million Connectors in Inventory
- Technical Solutions Oriented
- A Consultative Sales Team
- Vertically Integrated
- Supporter of the Buy American Act



Exceeding Your Quality Expectations

Spacecraft Components Corp. warrants to the original purchaser that it will correct by replacement any defect in workmanship or in-operation of any component purchased from Spacecraft Components Corp. for the life of the equipment in which the component is originally and properly installed. This agreement and warranty supersedes all other warranties expressed or implied.



CIDS (Connector Identification System)

Your Online Source for MIL-SPEC Cylindrical Connectors

Mission Statement

To provide a work environment where our employees can meet their potential and thrive in an atmosphere of excellence by utilizing their strengths and attributes towards supporting our customers, thereby providing superior products and exceptional service which helps our customers gain a competitive advantage in their markets.

Locations

Nevada Headquarters 702.851.7600
 Florida Office 954.748.4540
 Arizona Office 623.580.1162
 Mexico Office +52 442 341 69 63
 Italy Office +39 (335) 719.4512



- Access to MIL-SPEC Data Sheets in an Instant
- Identify Crimp Tools for Your Contacts
- Identify the Mating Connector
- Identify the Accessories for Your Connector



Distributed by:
Eastern Connector Specialty

Phone: 860-355-8100
Fax: 860-350-5411

Email: sales@easternconnector.com
Web: www.easternconnector.com

MULTI-PIN CYLINDRICAL POWER CONNECTORS

© 2012 Spacecraft Components Corp., North Las Vegas, Nevada 89032

Catalog 102 Table of Contents

MIL-DTL-5015 Series I Solder Contact Connectors	1A-1
MIL-DTL-5015 Series II Crimp, Front Release Contact, Connectors.	2A-1
MIL-DTL-5015 Series III Crimp, Rear Release Contact, Connectors	3A-1
MIL-DTL-5015 Connector Accessory Quick Reference	4A-1
SWL Series Connectors	5A-1
SWL Series Connector Accessory Quick Reference	6A-1
SWLD Series Connectors	7A-1
SWLD Series Connector Accessory Quick Reference	8A-1
MIL-DTL-5015 Technical Data	9A-2
MIL-DTL-5015 Solder Contacts for Series I	9A-3
MIL-DTL-5015 Crimp Contacts for Series I.	9A-4
Crimp Contact Adapters	9A-8
Coaxial Contacts.	9A-11
MIL-DTL-5015 Crimp Contact Tooling for Series I.	9A-12
Insert Configurations by Shell Size	10A-1
Thermocouple Contacts & Insert Arrangements	10A-17
Insert Drawing by Number of Contacts.	10A-28
Cross Reference/Index	11A-1



We've Got You Covered



Contact
Spacecraft's
Consultative Sales Team
for Ordering Information



YOUR
CONNECTOR
CONSULTANT
SINCE 1962

 **SPACECRAFT**
COMPONENTS CORP.

860-355-8100

SECTION 5A

SWL SERIES

CONNECTORS

5A

- EQUIVALENT TO THE AMPHENOL/BENDIX QWL as well as the ITT Cannon CWL Series.
- HIGH CURRENT CAPACITY for power distribution network and inputs into large equipment.
- RUGGED CONSTRUCTION consists of high strength machined aluminum shells with Alumilite 225* hard anodize finish, shock resistant resilient inserts. Gaskets and/or "O" rings at appropriate surfaces for perfect weathertight connections.
- EASE OF OPERATION with fast coupling, double stub threads, left hand accessory threads and single keyway mating.
- INSERT AVAILABILITY - Both MS and custom insert patterns available to accommodate a wide variety of multiconductor cables.

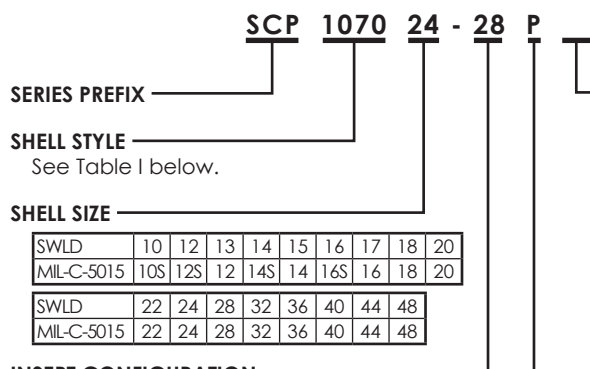
OPERATING CHARACTERISTICS

CONDITION	CONFIGURATION	DESCRIPTION	REFERENCE
DURABILITY	MATED	500 complete mating/unmating cycles	MIL-DTL-22992
FLUID IMMERSION	UNMATED	20 hours immersion in hydraulic fluid and lubricating oil	MIL-DTL-22992
HIGH IMPACT	MATED	Nine hammer blows from 1, 3 and 5 feet, three each in three axes on mounting panel	MIL-STD-202 method 207
MOISTURE RESISTANCE (Cable mounted connectors)	MATED	Ten complete 24 hour cycles of +25°C to +65°C temperature at 90% to 98% humidity	MIL-STD-202 method 106
SALT SPRAY (CORROSION)	UNMATED	48 hour exposure to atomized 5% saline solution at +35°C	MIL-STD-1344 method 1001
THERMAL SHOCK	UNMATED	Five complete one hour temperature cycles of -55°C to +125°C	MIL-STD-1344 method 1003 test condition
VIBRATION	MATED	10 TO 55 Hz, 06 inch total excursion in 1 minute cycles for 6 hours 55 to 2000 Hz, 10G peak amplitude sweep	MIL-STD-1344 method 2005
WATER IMMERSION	MATED	4 hours immersion at 1 atmosphere pressure differential	MIL-DTL-22992

(1) Backshells must be purchased separately.

SWL SERIES

ORDERING INFORMATION



SHELL SIZE

SWLD	10	12	13	14	15	16	17	18	20
MIL-C-5015	10S	12S	12	14S	14	16S	16	18	20

SWLD	22	24	28	32	36	40	44	48
MIL-C-5015	22	24	28	32	36	40	44	48

INSERT CONFIGURATION
See pages 10A-1 thru 10A-50 for illustrations and codes.

MATERIAL: Aluminum alloy
FINISH: Alumilite 225

MODIFICATION

- BLANK** Solder type contacts, silver plated (Standard).
- B68** Solder type contacts, plated .00005 gold over silver. Size 8, 4 and 1/0 contacts have filled solder pots.
- B75** Crimp type contacts, silver plated.
- B80** Less contacts.
- B81** Crimp type contacts, plated .0001 gold over silver.
- B82** Crimp type contacts for MIL-C-13777 cable, silver plated.
- B83** Crimp type contacts for MIL-C-13777 cable, plated .0001 gold over silver.
- B85** Crimp type contacts plated .00005 gold over silver. The above modifications utilize connector shells with a non-conductive hard anodize finish Alumilite 225® over aluminum.
- B88** Solder contact, olive drab plating over nickel conductive finish.
- SLN** Self-locking coupling nut.

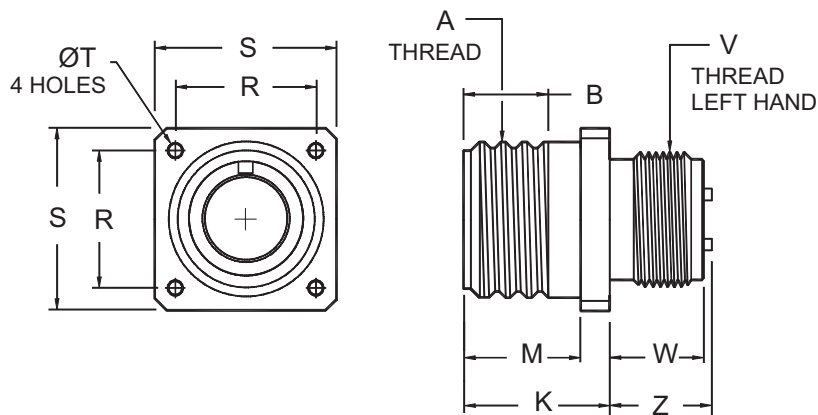
CONTACT STYLE/ALTERNATE POSITION

This Series utilizes a single letter code for both Contact Style and Alternate Position. Select the code from the Table below. See page 10A-1 thru 10A-16 for Alternate Positions available for each Insert Configuration.

CODE		ALTERNATE POSITION
PIN	SOCKET	
P	S	NORMAL
G	H	W
I	J	X
K	L	Y
M	N	Z

TABLE I. SHELL STYLE

SHELL STYLE	DESCRIPTION	SEE PAGE
SCP1070	Wall mount receptacle	5A-3
SCP1071	In-line receptacle	5A-4
SCP1072	Box mount receptacle	5A-5
SCP1073	Jam nut receptacle, wall mount	5A-7
SCP1074	Thru-bulkhead receptacle	5A-8
SCP1075	Dummy receptacle	Catalog 401
SCP1076	Straight plug	5A-9
SCP1077	Panel mount plug	5A-10
SCP1079	Jam nut receptacle, box mount	5A-6



SCP1070* Environmental

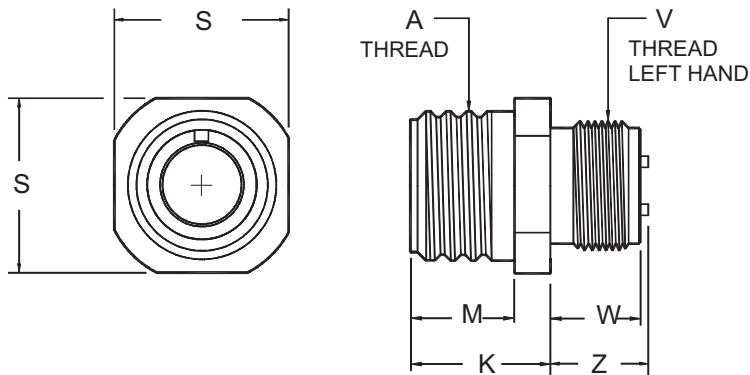
PART NUMBER	SHELL SIZE	A THREAD CLASS 2A	B MIN. FULL THREAD	K ±.015 [±0.38]	M +.016 -.000 [+0.41] [-0.00]	R ±.005 [±0.13]	S ±.020 [±0.51]	T +.004 -.002 [+0.10] [-0.05]	V THREAD CLASS 2A-LH	W ±.010 [±0.25]	Z MAX.
SCP107010-*	10S	.6250-0.05P-0.1L-DS	.391 [9.93]	.704 [17.88]	.562 [14.27]	.719 [18.26]	1.000 [25.40]	.150 [3.81]	.5000-28 UNEF	.400 [10.16]	.450 [11.43]
SCP107012-*	12S	.7500-0.1P-0.2L-DS	.391 [9.93]	.704 [17.88]	.562 [14.27]	.812 [20.62]	1.094 [27.79]	.150 [3.81]	.6250-24 UNEF	.400 [10.16]	.450 [11.43]
SCP107013-*	12	.7500-0.1P-0.2L-DS	.625 [15.88]	.891 [22.63]	.750 [19.05]	.812 [20.62]	1.094 [27.79]	.150 [3.81]	.6250-24 UNEF	.588 [14.94]	.700 [17.78]
SCP107014-*	14S	.8750-0.1P-0.2L-DS	.391 [9.93]	.704 [17.88]	.562 [14.27]	.906 [23.01]	1.188 [30.18]	.150 [3.81]	.7500-20 UNEF	.400 [10.16]	.450 [11.43]
SCP107015-*	14	.8750-0.1P-0.2L-DS	.625 [15.88]	.891 [22.63]	.750 [19.05]	.906 [23.01]	1.188 [30.18]	.150 [3.81]	.7500-20 UNEF	.588 [14.94]	.700 [17.78]
SCP107016-*	16S	1.0000-0.1P-0.2L-DS	.391 [9.93]	.704 [17.88]	.562 [14.27]	.969 [24.61]	1.281 [32.54]	.150 [3.81]	.8750-20 UNEF	.400 [10.16]	.450 [11.43]
SCP107017-*	16	1.0000-0.1P-0.2L-DS	.625 [15.88]	.891 [22.63]	.750 [19.05]	.969 [24.61]	1.281 [32.54]	.150 [3.81]	.8750-20 UNEF	.588 [14.94]	.700 [17.78]
SCP107018-*	18	1.1250-0.1P-0.2L-DS	.625 [15.88]	.906 [23.01]	.750 [19.05]	1.062 [26.97]	1.375 [34.92]	.177 [4.50]	1.0000-20 UNEF	.573 [14.55]	.686 [17.42]
SCP107020-*	20	1.2500-0.1P-0.2L-DS	.625 [15.88]	.906 [23.01]	.750 [19.05]	1.156 [29.36]	1.500 [38.10]	.177 [4.50]	1.1250-18 UNEF	.573 [14.55]	.686 [17.42]
SCP107022-*	22	1.3750-0.1P-0.2L-DS	.625 [15.88]	.906 [23.01]	.750 [19.05]	1.250 [31.75]	1.625 [41.27]	.177 [4.50]	1.2500-18 UNEF	.573 [14.55]	.686 [17.42]
SCP107024-*	24	1.5000-0.1P-0.2L-DS	.625 [15.88]	.968 [24.59]	.812 [20.62]	1.375 [34.92]	1.750 [44.45]	.177 [4.50]	1.3750-18 UNEF	.573 [14.55]	.624 [15.85]
SCP107028-*	28	1.7500-0.1P-0.2L-DS	.625 [15.88]	.968 [24.59]	.812 [20.62]	1.562 [39.67]	2.000 [50.80]	.177 [4.50]	1.6250-18 UNEF	.573 [14.55]	.624 [15.85]
SCP107032-*	32	2.0000-0.1P-0.2L-DS	.625 [15.88]	1.031 [26.19]	.875 [22.23]	1.750 [44.45]	2.250 [57.15]	.209 [5.31]	1.8750-16 UN	.573 [14.55]	.561 [14.25]
SCP107036-*	36	2.2500-0.1P-0.2L-DS	.625 [15.88]	1.031 [26.19]	.875 [22.23]	1.938 [49.23]	2.500 [63.50]	.209 [5.31]	2.0625-16 UNS	.573 [14.55]	.561 [14.25]
SCP107040-*	40	2.5000-0.1P-0.2L-DS	.625 [15.88]	1.031 [26.19]	.875 [22.23]	2.188 [55.58]	2.750 [69.85]	.209 [5.31]	2.3125-16 UNS	.573 [14.55]	.561 [14.25]
SCP107044-*	44	2.7500-0.1P-0.2L-DS	.625 [15.88]	1.031 [26.19]	.875 [22.23]	2.375 [60.32]	3.000 [76.20]	.209 [5.31]	2.6250-16 UN	.698 [17.73]	.801 [20.35]
SCP107048-*	48	3.0000-0.1P-0.2L-DS	.625 [15.88]	1.031 [26.19]	.875 [22.23]	2.625 [66.67]	3.250 [82.55]	.209 [5.31]	2.8750-16 UN	.698 [17.73]	.801 [20.35]

Dimensions in brackets [] are in millimeters.

5A

IN-LINE RECEPTACLE SWL SERIES

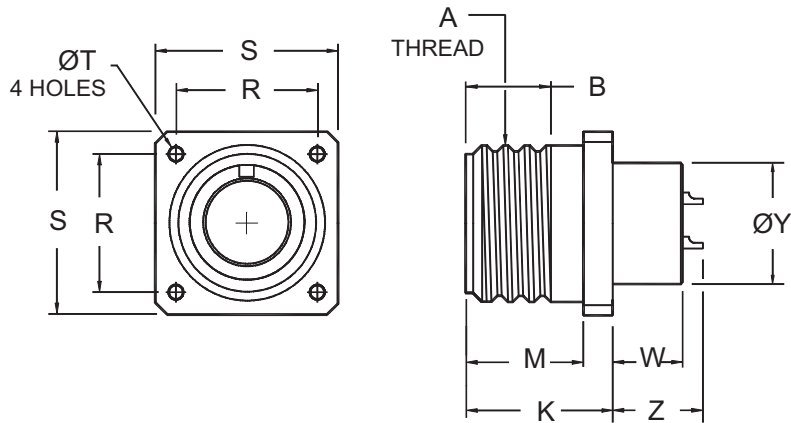
SCP1071



SCP1071* Environmental

PART NUMBER	SHELL SIZE	A THREAD CLASS 2A	K ±.015 [±0.38]	M +.016-.000 [+0.41] [-0.00]	S ±.020 [±0.51]	V THREAD CLASS 2A-LH	W ±.010 [±0.25]	Z MAX.
SCP107110*	10S	.6250-0.05P-0.1L-DS	.704 [17.88]	.453 [11.51]	.750 [19.05]	.5000-28 UNEF	.400 [10.16]	.450 [11.43]
SCP107112*	12S	.7500-0.1P-0.2L-DS	.704 [17.88]	.453 [11.51]	.875 [22.23]	.6250-24 UNEF	.400 [10.16]	.450 [11.43]
SCP107113*	12	.7500-0.1P-0.2L-DS	.891 [22.63]	.641 [16.28]	.875 [22.23]	.6250-24 UNEF	.588 [14.94]	.701 [17.81]
SCP107114*	14S	.8750-0.1P-0.2L-DS	.704 [17.88]	.453 [11.51]	1.000 [25.40]	.7500-20 UNEF	.400 [10.16]	.450 [11.43]
SCP107115*	14	.8750-0.1P-0.2L-DS	.891 [22.63]	.641 [16.28]	1.000 [25.40]	.7500-20 UNEF	.588 [14.94]	.701 [17.81]
SCP107116*	16S	1.0000-0.1P-0.2L-DS	.704 [17.88]	.453 [11.51]	1.094 [27.79]	.8750-20 UNEF	.400 [10.16]	.450 [11.43]
SCP107117*	16	1.0000-0.1P-0.2L-DS	.891 [22.63]	.641 [16.28]	1.094 [27.79]	.8750-20 UNEF	.588 [14.94]	.701 [17.81]
SCP107118*	18	1.1250-0.1P-0.2L-DS	.906 [23.01]	.656 [16.66]	1.281 [32.54]	1.0000-20 UNEF	.573 [14.55]	.686 [17.42]
SCP107120*	20	1.2500-0.1P-0.2L-DS	.906 [23.01]	.656 [16.66]	1.375 [34.93]	1.1250-18 UNEF	.573 [14.55]	.686 [17.42]
SCP107122*	22	1.3750-0.1P-0.2L-DS	.906 [23.01]	.656 [16.66]	1.500 [38.10]	1.2500-18 UNEF	.573 [14.55]	.686 [17.42]
SCP107124*	24	1.5000-0.1P-0.2L-DS	.968 [24.59]	.719 [18.26]	1.625 [41.28]	1.3750-18 UNEF	.573 [14.55]	.624 [15.85]
SCP107128*	28	1.7500-0.1P-0.2L-DS	.968 [24.59]	.719 [18.26]	1.875 [47.63]	1.6250-18 UNEF	.573 [14.55]	.624 [15.85]
SCP107132*	32	2.0000-0.1P-0.2L-DS	1.031 [26.19]	.656 [16.66]	2.125 [53.98]	1.8750-16 UN	.573 [14.55]	.561 [14.25]
SCP107136*	36	2.2500-0.1P-0.2L-DS	1.031 [26.19]	.656 [16.66]	2.375 [60.33]	2.0625-16 UNS	.573 [14.55]	.561 [14.25]
SCP107140*	40	2.5000-0.1P-0.2L-DS	1.031 [26.19]	.656 [16.66]	2.625 [66.68]	2.3125-16 UNS	.573 [14.55]	.561 [14.25]
SCP107144*	44	2.7500-0.1P-0.2L-DS	1.031 [26.19]	.656 [16.66]	3.000 [76.20]	2.6250-16 UN	.698 [17.73]	.800 [20.32]
SCP107148*	48	3.0000-0.1P-0.2L-DS	1.031 [26.19]	.656 [16.66]	3.125 [79.38]	2.8750-16 UN	.698 [17.73]	.800 [20.32]

Dimensions in brackets [] are in millimeters.



SCP1072* Environmental

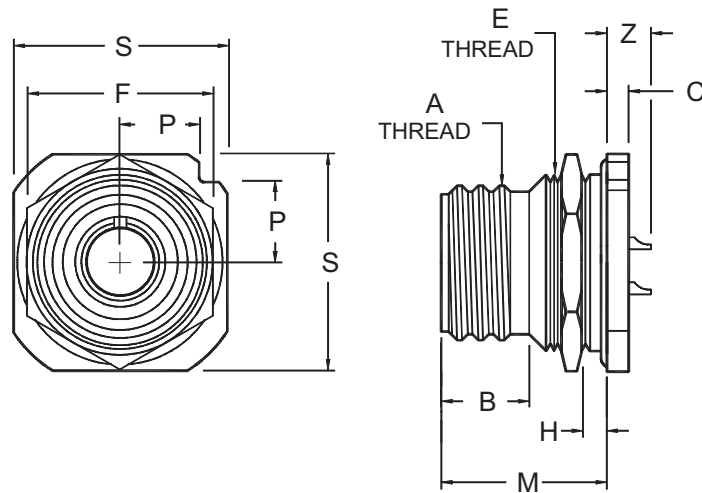
PART NUMBER	SHELL SIZE	A THREAD CLASS 2A	B MIN. FULL THREAD	K +.026 -.010 [+0.66] [-0.25]	M +.016 -.000 [+0.41] [-0.00]	R ±.005 [±0.13]	S ±.020 [±0.51]	T +.004 -.002 [+0.10] [-0.05]	W +.020 -.036 [+0.51] [-0.91]	ØY ±.010 [±0.25]	Z MAX.
SCP107210*	10S	.6250-0.05P-0.1L-DS	.391 [9.93]	.703 [17.86]	.562 [14.27]	.719 [18.26]	1.000 [25.40]	.150 [3.81]	.281 [7.14]	.469 [11.91]	.451 [11.46]
SCP107212*	12S	.7500-0.1P-0.2L-DS	.391 [9.93]	.703 [17.86]	.562 [14.27]	.812 [20.62]	1.094 [27.79]	.150 [3.81]	.281 [7.14]	.594 [15.09]	.451 [11.46]
SCP107213*	12	.7500-0.1P-0.2L-DS	.625 [15.88]	.891 [22.63]	.750 [19.05]	.812 [20.62]	1.094 [27.79]	.150 [3.81]	.469 [11.91]	.594 [15.09]	.700 [17.78]
SCP107214*	14S	.8750-0.1P-0.2L-DS	.391 [9.93]	.703 [17.86]	.562 [14.27]	.906 [23.01]	1.188 [30.18]	.150 [3.81]	.281 [7.14]	.719 [18.26]	.451 [11.46]
SCP107215*	14	.8750-0.1P-0.2L-DS	.625 [15.88]	.891 [22.63]	.750 [19.05]	.906 [23.01]	1.188 [30.18]	.150 [3.81]	.469 [11.91]	.719 [18.26]	.700 [17.78]
SCP107216*	16S	1.0000-0.1P-0.2L-DS	.391 [9.93]	.703 [17.86]	.562 [14.27]	.969 [24.61]	1.281 [32.54]	.150 [3.81]	.281 [7.14]	.844 [21.44]	.451 [11.46]
SCP107217*	16	1.0000-0.1P-0.2L-DS	.625 [15.88]	.891 [22.63]	.750 [19.05]	.969 [24.61]	1.281 [32.54]	.150 [3.81]	.469 [11.91]	.844 [21.44]	.700 [17.78]
SCP107218*	18	1.1250-0.1P-0.2L-DS	.625 [15.88]	.906 [23.01]	.750 [19.05]	1.062 [26.97]	1.375 [34.92]	.177 [4.50]	.453 [11.51]	.969 [24.61]	.686 [17.42]
SCP107220*	20	1.2500-0.1P-0.2L-DS	.625 [15.88]	.906 [23.01]	.750 [19.05]	1.156 [29.36]	1.500 [38.10]	.177 [4.50]	.453 [11.51]	1.125 [28.58]	.686 [17.42]
SCP107222*	22	1.3750-0.1P-0.2L-DS	.625 [15.88]	.906 [23.01]	.750 [19.05]	1.250 [31.75]	1.625 [41.27]	.177 [4.50]	.453 [11.51]	1.250 [31.75]	.686 [17.42]
SCP107224*	24	1.5000-0.1P-0.2L-DS	.625 [15.88]	1.000 [25.40]	.812 [20.62]	1.375 [34.92]	1.750 [44.45]	.177 [4.50]	.359 [9.12]	1.375 [34.93]	.585 [14.86]
SCP107228*	28	1.7500-0.1P-0.2L-DS	.625 [15.88]	1.000 [25.40]	.812 [20.62]	1.562 [39.67]	2.000 [50.80]	.177 [4.50]	.359 [9.12]	1.594 [40.49]	.591 [15.01]
SCP107232*	32	2.0000-0.1P-0.2L-DS	.625 [15.88]	1.063 [27.00]	.875 [22.23]	1.750 [44.45]	2.250 [57.15]	.209 [5.31]	.296 [7.52]	1.844 [46.84]	.528 [13.41]
SCP107236*	36	2.2500-0.1P-0.2L-DS	.625 [15.88]	1.063 [27.00]	.875 [22.23]	1.938 [49.23]	2.500 [63.50]	.209 [5.31]	.296 [7.52]	2.031 [51.59]	.528 [13.41]
SCP107240*	40	2.5000-0.1P-0.2L-DS	.625 [15.88]	1.063 [27.00]	.875 [22.23]	2.188 [55.58]	2.750 [69.85]	.209 [5.31]	.296 [7.52]	2.281 [57.94]	.528 [13.41]
SCP107244*	44	2.7500-0.1P-0.2L-DS	.625 [15.88]	1.063 [27.00]	.875 [22.23]	2.375 [60.32]	3.000 [76.20]	.209 [5.31]	.546 [13.87]	2.562 [65.07]	.769 [19.53]
SCP107248*	48	3.0000-0.1P-0.2L-DS	.625 [15.88]	1.063 [27.00]	.875 [22.23]	2.625 [66.67]	3.250 [82.55]	.209 [5.31]	.546 [13.87]	2.812 [71.42]	.769 [19.53]

Dimensions in brackets [] are in millimeters.

5A

JAM NUT RECEPTACLE SWL SERIES

SCP1079



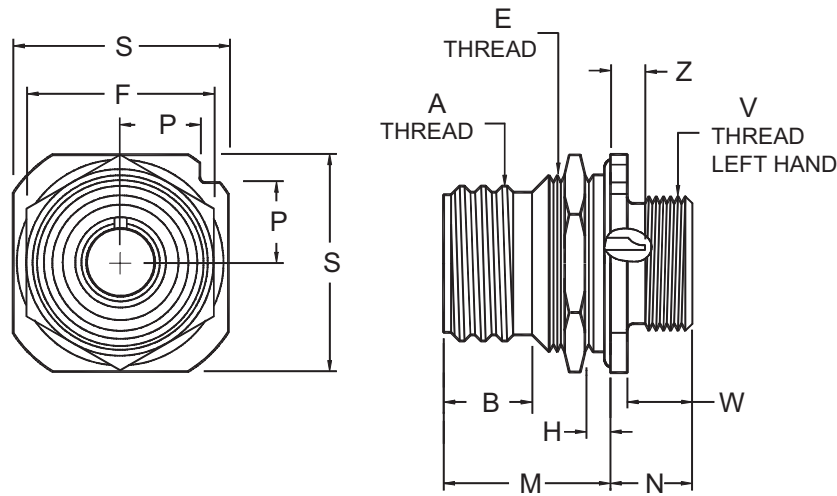
SCP1079* Environmental

PART NUMBER	SHELL SIZE	A THREAD CLASS 2A-DS	B ±.010 [±0.25]	C ±.005 [±0.13]	E THREAD CLASS 2A-RH	F HEX ±.016 [±0.41]	H PANEL THICKNESS		M ±.010 [±0.25]	P ±.010 [±0.25]	S ±.010 [±0.25]	Z MAX.
							MIN.	MAX.				
SCP107910-*	10S	.625-0.05P-0.1L	.385 [9.78]	.125 [3.18]	.6875-24UNEF	.875 [22.23]	.094 [2.39]	.227 [5.77]	.844 [21.44]	.375 [9.52]	1.062 [26.97]	.295 [7.49]
SCP107912-*	12S	.750-0.1P-0.2L	.385 [9.78]	.125 [3.18]	.875-20UNEF	1.062 [26.97]	.094 [2.39]	.200 [5.08]	.906 [23.01]	.442 [11.23]	1.250 [31.75]	.232 [5.89]
SCP107913-*	12	.750-0.1P-0.2L	.585 [14.86]	.125 [3.18]	.875-20UNEF	1.062 [26.97]	.094 [2.39]	.282 [7.16]	1.188 [30.18]	.442 [11.23]	1.250 [31.75]	.389 [9.88]
SCP107914-*	14S	.875-0.1P-0.2L	.385 [9.78]	.125 [3.18]	1.000-20UNEF	1.250 [31.75]	.094 [2.39]	.200 [5.08]	.906 [23.01]	.486 [12.34]	1.376 [34.95]	.232 [5.89]
SCP107915-*	14	.875-0.1P-0.2L	.585 [14.86]	.125 [3.18]	1.000-20UNEF	1.250 [31.75]	.094 [2.39]	.282 [7.16]	1.188 [30.18]	.486 [12.34]	1.376 [34.95]	.389 [9.88]
SCP107916-*	16S	1.000-0.1P-0.2L	.385 [9.78]	.125 [3.18]	1.125-18UNEF	1.312 [33.32]	.094 [2.39]	.200 [5.08]	.906 [23.01]	.530 [13.46]	1.500 [38.10]	.232 [5.89]
SCP107917-*	16	1.000-0.1P-0.2L	.585 [14.86]	.125 [3.18]	1.125-18UNEF	1.312 [33.32]	.094 [2.39]	.282 [7.16]	1.188 [30.18]	.530 [13.46]	1.500 [38.10]	.389 [9.88]
SCP107918-*	18	1.125-0.1P-0.2L	.585 [14.86]	.188 [4.78]	1.250-18UNEF	1.500 [38.10]	.094 [2.39]	.250 [6.35]	1.156 [29.36]	.623 [15.82]	1.750 [44.45]	.420 [10.67]
SCP107920-*	20	1.250-0.1P-0.2L	.585 [14.86]	.188 [4.78]	1.375-18UNEF	1.562 [39.67]	.094 [2.39]	.250 [6.35]	1.156 [29.36]	.663 [16.84]	1.875 [47.63]	.420 [10.67]
SCP107922-*	22	1.375-0.1P-0.2L	.585 [14.86]	.188 [4.78]	1.500-18UNEF	1.750 [44.45]	.094 [2.39]	.250 [6.35]	1.156 [29.36]	.707 [17.96]	2.000 [50.80]	.420 [10.67]
SCP107924-*	24	1.500-0.1P-0.2L	.585 [14.86]	.188 [4.78]	1.625-18UNEF	1.875 [47.62]	.094 [2.39]	.312 [7.92]	1.219 [30.96]	.751 [19.08]	2.125 [53.98]	.357 [9.07]
SCP107928-*	28	1.750-0.1P-0.2L	.585 [14.86]	.188 [4.78]	1.875-16UN	2.125 [53.97]	.094 [2.39]	.312 [7.92]	1.219 [30.96]	.840 [21.34]	2.375 [60.33]	.357 [9.07]
SCP107932-*	32	2.000-0.1P-0.2L	.585 [14.86]	.219 [5.56]	2.125-16UN	2.375 [60.32]	.094 [2.39]	.282 [7.16]	1.250 [31.75]	.928 [23.57]	2.625 [66.68]	.326 [8.28]
SCP107936-*	36	2.250-0.1P-0.2L	.585 [14.86]	.219 [5.56]	2.375-16UN	2.625 [66.67]	.094 [2.39]	.282 [7.16]	1.250 [31.75]	1.017 [25.83]	2.875 [73.03]	.326 [8.28]
SCP107940-*	40	2.500-0.1P-0.2L	.585 [14.86]	.219 [5.56]	2.625-16UN	2.875 [73.02]	.094 [2.39]	.282 [7.16]	1.250 [31.75]	1.104 [28.04]	3.125 [79.38]	.326 [8.28]
SCP107944-*	44	2.750-0.1P-0.2L	.585 [14.86]	.219 [5.56]	2.875-16UN	3.125 [79.37]	.094 [2.39]	.422 [10.72]	1.390 [35.31]	1.213 [30.81]	3.406 [86.51]	.436 [11.07]
SCP107948-*	48	3.000-0.1P-0.2L	.585 [14.86]	.219 [5.56]	3.125-16UN	3.375 [85.72]	.094 [2.39]	.422 [10.72]	1.390 [35.31]	1.299 [32.99]	3.656 [92.86]	.436 [11.07]

Dimensions in brackets [] are in millimeters.

SWL SERIES JAM NUT RECEPTACLE

SCP1073



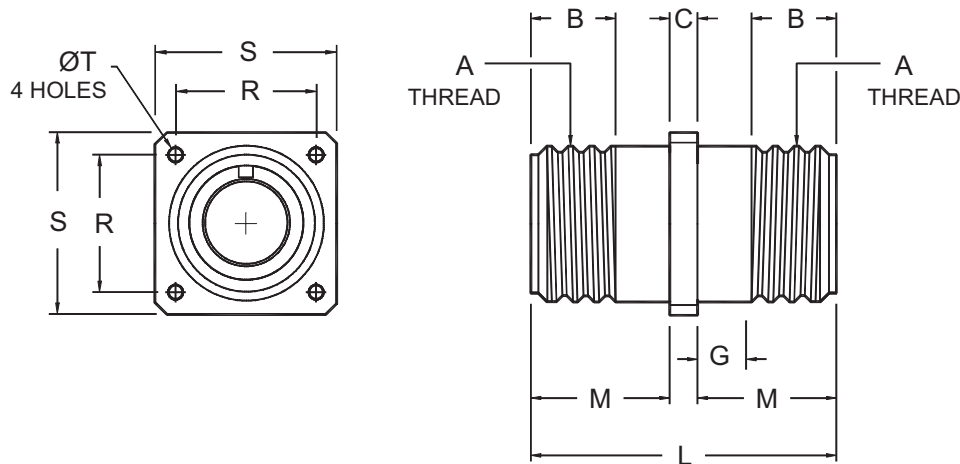
SCP1073* Environmental

PART NUMBER	SHELL SIZE	A THREAD CLASS 2A-DS	B ±.010 [±0.25]	E THREAD CLASS 2A-RH	F HEX ±.010 [±0.25]	H PANEL THICKNESS		M ±.010 [±0.25]	N ±.015 [±0.38]	P ±.010 [±0.25]	S ±.010 [±0.25]	V THREAD CLASS 2A-LH	W ±.010 [±0.25]	Z MAX.
						MIN.	MAX.							
SCP107310-*	10S	.625-0.05P-0.1L	.385 [9.78]	.6875-24UNEF	.875 [22.23]	.094 [2.39]	.227 [5.77]	.844 [21.44]	.469 [11.91]	.375 [9.52]	1.062 [26.97]	.500-28UNEF	.344 [8.74]	.295 [7.49]
SCP107312-*	12S	.750-0.1P-0.2L	.385 [9.78]	.875-20UNEF	1.062 [26.97]	.094 [2.39]	.200 [5.08]	.906 [23.01]	.469 [11.91]	.442 [11.23]	1.250 [31.75]	.625-24UNEF	.344 [8.74]	.232 [5.89]
SCP107313-*	12	.750-0.1P-0.2L	.585 [14.86]	.875-20UNEF	1.062 [26.97]	.094 [2.39]	.188 [4.78]	1.094 [27.79]	.641 [16.28]	.442 [11.23]	1.250 [31.75]	.625-24UNEF	.516 [13.11]	.483 [12.27]
SCP107314-*	14S	.875-0.1P-0.2L	.385 [9.78]	1.000-20UNEF	1.250 [31.75]	.094 [2.39]	.200 [5.08]	.906 [23.01]	.469 [11.91]	.486 [12.34]	1.376 [34.95]	.750-20UNEF	.344 [8.74]	.232 [5.89]
SCP107315-*	14	.875-0.1P-0.2L	.585 [14.86]	1.000-20UNEF	1.250 [31.75]	.094 [2.39]	.188 [4.78]	1.094 [27.79]	.641 [16.28]	.486 [12.34]	1.376 [34.95]	.750-20UNEF	.516 [13.11]	.483 [12.27]
SCP107316-*	16S	1.000-0.1P-0.2L	.385 [9.78]	1.125-18UNEF	1.312 [33.32]	.094 [2.39]	.200 [5.08]	.906 [23.01]	.469 [11.91]	.530 [13.46]	1.500 [38.10]	.875-20UNEF	.344 [8.74]	.232 [5.89]
SCP107317-*	16	1.000-0.1P-0.2L	.585 [14.86]	1.125-18UNEF	1.312 [33.32]	.094 [2.39]	.188 [4.78]	1.094 [27.79]	.641 [16.28]	.530 [13.46]	1.500 [38.10]	.875-20UNEF	.516 [13.11]	.483 [12.27]
SCP107318-*	18	1.125-0.1P-0.2L	.585 [14.86]	1.250-18UNEF	1.500 [38.10]	.094 [2.39]	.203 [5.16]	1.109 [28.17]	.704 [17.88]	.623 [15.82]	1.750 [44.45]	1.000-20UNEF	.516 [13.11]	.467 [11.86]
SCP107320-*	20	1.250-0.1P-0.2L	.585 [14.86]	1.375-18UNEF	1.562 [39.67]	.094 [2.39]	.203 [5.16]	1.109 [28.17]	.704 [17.88]	.663 [16.84]	1.875 [47.63]	1.125-18UNEF	.516 [13.11]	.467 [11.86]
SCP107322-*	22	1.375-0.1P-0.2L	.585 [14.86]	1.500-18UNEF	1.750 [44.45]	.094 [2.39]	.203 [5.16]	1.109 [28.17]	.704 [17.88]	.707 [17.96]	2.000 [50.80]	1.250-18UNEF	.516 [13.11]	.467 [11.86]
SCP107324-*	24	1.500-0.1P-0.2L	.585 [14.86]	1.625-18UNEF	1.875 [47.62]	.094 [2.39]	.265 [6.73]	1.172 [29.77]	.704 [17.88]	.751 [19.08]	2.125 [53.98]	1.375-18UNEF	.516 [13.11]	.404 [10.26]
SCP107328-*	28	1.750-0.1P-0.2L	.585 [14.86]	1.875-16UN	2.125 [53.97]	.094 [2.39]	.265 [6.73]	1.172 [29.77]	.704 [17.88]	.840 [21.34]	2.375 [60.33]	1.625-18UNEF	.516 [13.11]	.404 [10.26]
SCP107332-*	32	2.000-0.1P-0.2L	.585 [14.86]	2.125-16UN	2.375 [60.32]	.094 [2.39]	.203 [5.16]	1.172 [29.77]	.735 [18.67]	.928 [23.57]	2.625 [66.68]	1.875-16UN	.516 [13.11]	.404 [10.26]
SCP107336-*	36	2.250-0.1P-0.2L	.585 [14.86]	2.375-16UN	2.625 [66.67]	.094 [2.39]	.203 [5.16]	1.172 [29.77]	.735 [18.67]	1.017 [25.83]	2.875 [73.03]	2.0625-16UNS	.516 [13.11]	.404 [10.26]
SCP107340-*	40	2.500-0.1P-0.2L	.585 [14.86]	2.625-16UN	2.875 [73.02]	.094 [2.39]	.203 [5.16]	1.172 [29.77]	.735 [18.67]	1.104 [28.04]	3.125 [79.38]	2.3125-16UNS	.516 [13.11]	.404 [10.26]
SCP107344-*	44	2.750-0.1P-0.2L	.585 [14.86]	2.875-16UN	3.125 [79.37]	.094 [2.39]	.265 [6.73]	1.234 [31.34]	.922 [23.42]	1.213 [30.81]	3.406 [86.51]	2.625-16UN	.703 [17.86]	.593 [15.06]
SCP107348-*	48	3.000-0.1P-0.2L	.585 [14.86]	3.125-16UN	3.375 [85.72]	.094 [2.39]	.265 [6.73]	1.234 [31.34]	.922 [23.42]	1.299 [32.99]	3.656 [92.86]	2.875-16UN	.703 [17.86]	.593 [15.06]

Dimensions in brackets [] are in millimeters.

THRU-BULKHEAD RECEPTACLE SWL SERIES

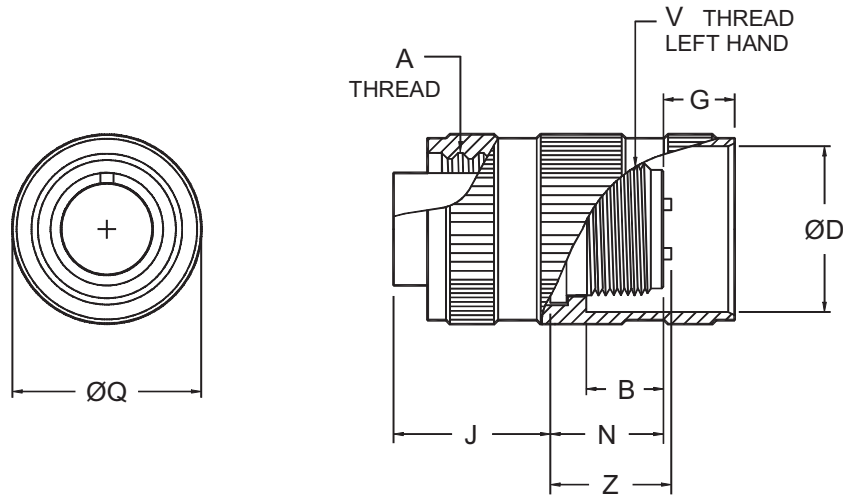
SCP1074



SCP1074* Environmental

PART NUMBER	SHELL SIZE	A THREAD CLASS 2A	B MIN. FULL THREAD	C REF.	G MAX. BULKHEAD THICKNESS	±.015 L FULL THREAD [±0.38]	+0.000 -.010 M [+0.00] [-0.25]	±.005 R [±0.13]	±.020 S [±0.51]	+0.004 -.002 T [+0.10] [-0.05]
SCP107410.*	10S	.6250-0.05P-0.1L-DS	.406 [10.31]	.141 [3.58]	.266 [6.76]	1.563 [39.70]	.711 [18.06]	.719 [18.26]	1.000 [25.40]	.120 [3.05]
SCP107412.*	12S	.7500-0.1P-0.2L-DS	.406 [10.31]	.141 [3.58]	.266 [6.76]	1.563 [39.70]	.711 [18.06]	.812 [20.62]	1.094 [27.79]	.120 [3.05]
SCP107413.*	12	.7500-0.1P-0.2L-DS	.625 [15.88]	.155 [3.94]	.312 [7.92]	2.125 [53.98]	.985 [25.02]	.812 [20.62]	1.094 [27.79]	.120 [3.05]
SCP107414.*	14S	.8750-0.1P-0.2L-DS	.406 [10.31]	.141 [3.58]	.266 [6.76]	1.563 [39.70]	.711 [18.06]	.906 [23.01]	1.188 [30.18]	.120 [3.05]
SCP107415.*	14	.8750-0.1P-0.2L-DS	.625 [15.88]	.155 [3.94]	.312 [7.92]	2.125 [53.98]	.985 [25.02]	.906 [23.01]	1.188 [30.18]	.120 [3.05]
SCP107416.*	16S	1.0000-0.1P-0.2L-DS	.406 [10.31]	.141 [3.58]	.266 [6.76]	1.563 [39.70]	.711 [18.06]	.969 [24.61]	1.281 [32.54]	.120 [3.05]
SCP107417.*	16	1.0000-0.1P-0.2L-DS	.625 [15.88]	.155 [3.94]	.312 [7.92]	2.125 [53.98]	.985 [25.02]	.969 [24.61]	1.281 [32.54]	.120 [3.05]
SCP107418.*	18	1.1250-0.1P-0.2L-DS	.625 [15.88]	.155 [3.94]	.312 [7.92]	2.125 [53.98]	.985 [25.02]	1.062 [26.97]	1.375 [34.92]	.120 [3.05]
SCP107420.*	20	1.2500-0.1P-0.2L-DS	.625 [15.88]	.155 [3.94]	.312 [7.92]	2.125 [53.98]	.985 [25.02]	1.156 [29.36]	1.500 [38.10]	.120 [3.05]
SCP107422.*	22	1.3750-0.1P-0.2L-DS	.625 [15.88]	.155 [3.94]	.312 [7.92]	2.125 [53.98]	.985 [25.02]	1.250 [31.75]	1.625 [41.27]	.120 [3.05]
SCP107424.*	24	1.5000-0.1P-0.2L-DS	.625 [15.88]	.155 [3.94]	.312 [7.92]	2.125 [53.98]	.985 [25.02]	1.375 [34.92]	1.750 [44.45]	.147 [3.73]
SCP107428.*	28	1.7500-0.1P-0.2L-DS	.625 [15.88]	.155 [3.94]	.312 [7.92]	2.125 [53.98]	.985 [25.02]	1.562 [39.67]	2.000 [50.80]	.147 [3.73]
SCP107432.*	32	2.0000-0.1P-0.2L-DS	.625 [15.88]	.155 [3.94]	.312 [7.92]	2.125 [53.98]	.985 [25.02]	1.750 [44.45]	2.250 [57.15]	.173 [4.39]
SCP107436.*	36	2.2500-0.1P-0.2L-DS	.625 [15.88]	.155 [3.94]	.312 [7.92]	2.125 [53.98]	.985 [25.02]	1.938 [49.23]	2.500 [63.50]	.173 [4.39]
SCP107440.*	40	2.5000-0.1P-0.2L-DS	.625 [15.88]	.155 [3.94]	.312 [7.92]	2.125 [53.98]	.985 [25.02]	2.188 [55.58]	2.750 [69.85]	.173 [4.39]
SCP107444.*	44	2.7500-0.1P-0.2L-DS	.625 [15.88]	.155 [3.94]	.438 [11.13]	2.375 [60.33]	1.110 [28.19]	2.375 [60.32]	3.000 [76.20]	.209 [5.31]
SCP107448.*	48	3.0000-0.1P-0.2L-DS	.625 [15.88]	.155 [3.94]	.438 [11.13]	2.375 [60.33]	1.110 [28.19]	2.625 [66.67]	3.250 [82.55]	.209 [5.31]

Dimensions in brackets [] are in millimeters.



SCP1076* Environmental

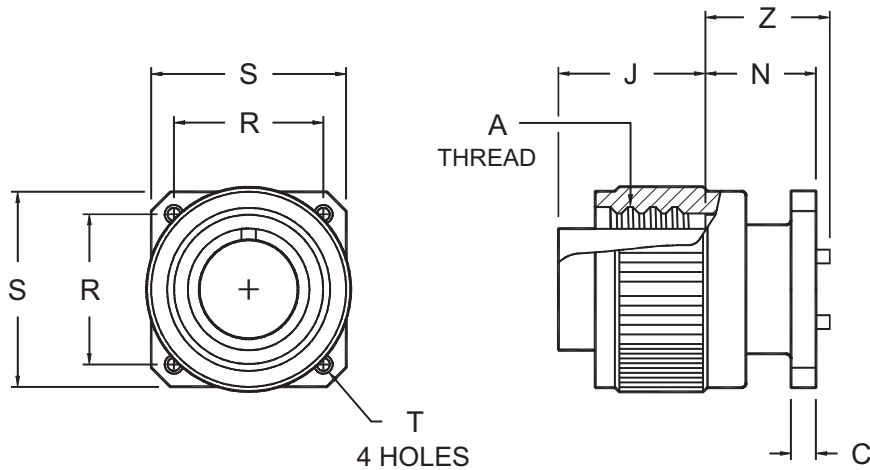
PART NUMBER	SHELL SIZE	A THREAD CLASS 2B	B ±.020 [±0.51]	ØD +.010-.000 [+0.25] [-0.00]	G ±.030 [±0.76]	J ±.005 [±0.13]	N ±.010 [±0.25]	ØQ MAX.	V THREAD CLASS 2A-LH	Z MAX.
SCP107610*	10S	.6250-0.05P-0.1L-DS	.406 [10.31]	.735 [18.67]	.053 [1.35]	.531 [13.49]	.563 [14.30]	.882 [22.40]	.5000-28 UNEF	.603 [15.32]
SCP107612*	12S	.7500-0.1P-0.2L-DS	.406 [10.31]	.859 [21.82]	.109 [2.77]	.531 [13.49]	.563 [14.30]	1.010 [25.65]	.6250-24 UNEF	.603 [15.32]
SCP107613*	12	.7500-0.1P-0.2L-DS	.578 [14.68]	.859 [21.82]	.077 [1.96]	.719 [18.26]	.750 [19.05]	1.010 [25.65]	.6250-24 UNEF	.852 [21.64]
SCP107614*	14S	.8750-0.1P-0.2L-DS	.406 [10.31]	.985 [25.02]	.234 [5.94]	.531 [13.49]	.563 [14.30]	1.137 [28.88]	.7500-20 UNEF	.603 [15.32]
SCP107615*	14	.8750-0.1P-0.2L-DS	.578 [14.68]	.985 [25.02]	.077 [1.96]	.719 [18.26]	.750 [19.05]	1.137 [28.88]	.7500-20 UNEF	.852 [21.64]
SCP107616*	16S	1.0000-0.1P-0.2L-DS	.406 [10.31]	1.109 [28.17]	.234 [5.94]	.531 [13.49]	.563 [14.30]	1.264 [32.11]	.8750-20 UNEF	.603 [15.32]
SCP107617*	16	1.0000-0.1P-0.2L-DS	.578 [14.68]	1.109 [28.17]	.141 [3.58]	.719 [18.26]	.750 [19.05]	1.264 [32.11]	.8750-20 UNEF	.852 [21.64]
SCP107618*	18	1.1250-0.1P-0.2L-DS	.578 [14.68]	1.235 [31.37]	.266 [6.76]	.719 [18.26]	.750 [19.05]	1.455 [36.96]	1.0000-20 UNEF	.852 [21.64]
SCP107620*	20	1.2500-0.1P-0.2L-DS	.578 [14.68]	1.359 [34.52]	.266 [6.76]	.719 [18.26]	.750 [19.05]	1.551 [39.40]	1.1250-18 UNEF	.852 [21.64]
SCP107622*	22	1.3750-0.1P-0.2L-DS	.578 [14.68]	1.485 [37.72]	.266 [6.76]	.719 [18.26]	.750 [19.05]	1.678 [42.62]	1.2500-18 UNEF	.852 [21.64]
SCP107624*	24	1.5000-0.1P-0.2L-DS	.594 [15.09]	1.609 [40.87]	.266 [6.76]	.719 [18.26]	.812 [20.62]	1.806 [45.87]	1.3750-18 UNEF	.852 [21.64]
SCP107628*	28	1.7500-0.1P-0.2L-DS	.594 [15.09]	1.859 [47.22]	.266 [6.76]	.719 [18.26]	.812 [20.62]	2.060 [52.32]	1.6250-18 UNEF	.852 [21.64]
SCP107632*	32	2.0000-0.1P-0.2L-DS	.594 [15.09]	2.109 [53.57]	.266 [6.76]	.719 [18.26]	.875 [22.23]	2.315 [58.80]	1.8750-16 UN	.852 [21.64]
SCP107636*	36	2.2500-0.1P-0.2L-DS	.556 [14.12]	2.359 [59.92]	.285 [7.24]	.719 [18.26]	.875 [22.23]	2.569 [65.25]	2.0625-16 UNS	.852 [21.64]
SCP107640*	40	2.5000-0.1P-0.2L-DS	.556 [14.12]	2.609 [66.27]	.285 [7.24]	.719 [18.26]	.875 [22.23]	2.864 [72.75]	2.3125-16 UNS	.852 [21.64]
SCP107644*	44	2.7500-0.1P-0.2L-DS	.700 [17.78]	2.922 [74.22]	.141 [3.58]	.719 [18.26]	1.000 [25.40]	3.142 [79.81]	2.6250-16 UN	1.103 [28.02]
SCP107648*	48	3.0000-0.1P-0.2L-DS	.719 [18.26]	3.172 [80.57]	.141 [3.58]	.719 [18.26]	1.000 [25.40]	3.381 [85.88]	2.8750-16 UN	1.093 [27.76]

Dimensions in brackets [] are in millimeters.

5A

WALL MOUNT PLUG SWL SERIES

SCP1077



SCP1077* Environmental

PART NUMBER	SHELL SIZE	A THREAD CLASS 2B	C ±.005 [±0.13]	J ±.005 [±0.13]	N ±.020 [±0.51]	R ±.005 [±0.13]	S ±.020 [±0.51]	T THREAD	Z MAX.
SCP107710-*	10S	.6250-0.05P-0.1L-DS	.125 [3.18]	.531 [13.49]	.438 [11.13]	.562 [14.27]	.781 [19.84]	4-40 NC	.602 [15.29]
SCP107712-*	12S	.7500-0.1P-0.2L-DS	.156 [3.96]	.531 [13.49]	.438 [11.13]	.812 [20.62]	1.062 [26.97]	4-40 NC	.602 [15.29]
SCP107713-*	12	.7500-0.1P-0.2L-DS	.156 [3.96]	.719 [18.26]	.688 [17.48]	.812 [20.62]	1.062 [26.97]	4-40 NC	.852 [21.64]
SCP107714-*	14S	.8750-0.1P-0.2L-DS	.156 [3.96]	.531 [13.49]	.438 [11.13]	.812 [20.62]	1.062 [26.97]	4-40 NC	.602 [15.29]
SCP107715-*	14	.8750-0.1P-0.2L-DS	.156 [3.96]	.719 [18.26]	.688 [17.48]	.812 [20.62]	1.062 [26.97]	4-40 NC	.852 [21.64]
SCP107716-*	16S	1.0000-0.1P-0.2L-DS	.156 [3.96]	.531 [13.49]	.438 [11.13]	1.000 [25.40]	1.312 [33.32]	6-32 NC	.602 [15.29]
SCP107717-*	16	1.0000-0.1P-0.2L-DS	.156 [3.96]	.719 [18.26]	.688 [17.48]	1.000 [25.40]	1.312 [33.32]	6-32 NC	.852 [21.64]
SCP107718-*	18	1.1250-0.1P-0.2L-DS	.156 [3.96]	.719 [18.26]	.688 [17.48]	1.000 [25.40]	1.312 [33.32]	6-32 NC	.852 [21.64]
SCP107720-*	20	1.2500-0.1P-0.2L-DS	.188 [4.78]	.719 [18.26]	.688 [17.48]	1.250 [31.75]	1.625 [41.28]	10-32 NF	.852 [21.64]
SCP107722-*	22	1.3750-0.1P-0.2L-DS	.188 [4.78]	.719 [18.26]	.688 [17.48]	1.250 [31.75]	1.625 [41.28]	10-32 NF	.852 [21.64]
SCP107724-*	24	1.5000-0.1P-0.2L-DS	.188 [4.78]	.719 [18.26]	.688 [17.48]	1.562 [39.67]	2.000 [50.80]	10-32 NF	.852 [21.64]
SCP107728-*	28	1.7500-0.1P-0.2L-DS	.188 [4.78]	.719 [18.26]	.688 [17.48]	1.562 [39.67]	2.000 [50.80]	10-32 NF	.852 [21.64]
SCP107732-*	32	2.0000-0.1P-0.2L-DS	.250 [6.35]	.719 [18.26]	.781 [19.84]	1.812 [46.02]	2.500 [63.50]	10-32 NF	.852 [21.64]
SCP107736-*	36	2.2500-0.1P-0.2L-DS	.250 [6.35]	.719 [18.26]	.781 [19.84]	1.812 [46.02]	2.500 [63.50]	10-32 NF	.852 [21.64]
SCP107740-*	40	2.5000-0.1P-0.2L-DS	.250 [6.35]	.719 [18.26]	.781 [19.84]	2.250 [57.15]	3.031 [76.99]	10-32 NF	.852 [21.64]
SCP107744-*	44	2.7500-0.1P-0.2L-DS	.250 [6.35]	.719 [18.26]	1.000 [25.40]	2.375 [60.33]	3.031 [76.99]	10-32 NF	.852 [21.64]
SCP107748-*	48	3.0000-0.1P-0.2L-DS	.250 [6.35]	.719 [18.26]	1.000 [25.40]	2.562 [65.07]	3.250 [82.55]	10-32 NF	.852 [21.64]

Dimensions in brackets [] are in millimeters.

SECTION 6A SWL SERIES

CONNECTOR ACCESSORY QUICK REFERENCE

(FOR COMPLETE DETAILS ON THESE PARTS SEE **SPACECRAFT CATALOG 401**)

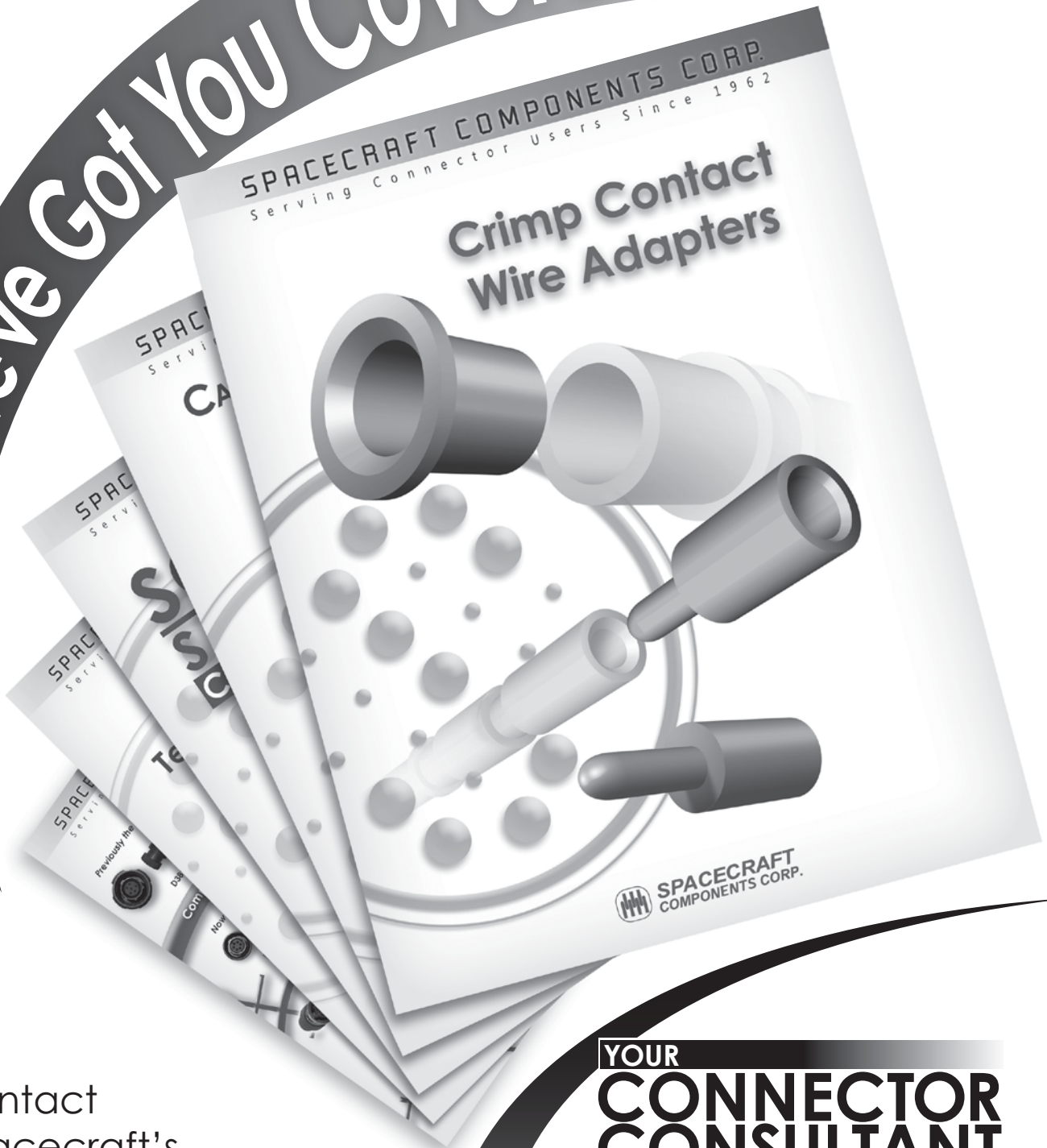
ACCESSORY	PART NUMBER
BACKSHELLS, ENVIRONMENTAL	
STRAIGHT - CABLE SEALING GLAND	SCP101333-*
	SCP101335-*
STRAIGHT - CABLE SEALING GLAND - WITH KELLUMS GRIP	SCP101332-*
	SCP101334-*
	SCP113637-*
STRAIGHT - CABLE SEALING ADAPTER	SCP113138-*
	SCP113196-*
	B002A-AM
	B002B-AM
STRAIGHT - FOR ANAMET CONDUIT	B031*AM
STRAIGHT - FOR PG ADAPTERS	B033*AM
STRAIGHT - FOR PIPE THREAD (PT) ADAPTERS	B035*AM
STRAIGHT - FOR SEALTITE™ LIQUIDTITE CONDUIT	B037*AM
45° - CABLE SEALING GLAND	B002CC-AM
90° - CABLE SEALING GLAND	B002D-AM
BACKSHELLS, SHORTING CANS	
	B012*AM
	B013*AM

* Additional alpha-numeric are required to complete part number.
1. Contact sales department for part numbers and availability.

ACCESSORY	PART NUMBER
BACKSHELLS, STRAIN RELIEFS/CABLE CLAMPS	
CABLE CLAMP	MS3057-*B
	MS3057-*C
INDIVIDUAL WIRE SEALING	SCP749**.*
BACKSHELLS, SHRINK BOOT ADAPTERS	
STRAIGHT BOOT ADAPTER	B006A-AM
	B006B-AM
DUMMY RECEPTACLES	
	SCP1075**
DUST CAPS	
METAL, FOR PLUG	SCP101046-*
	SCP101531-*
METAL, FOR RECEPTACLE	SCP101048-*
	SCP101063-*
GASKET FOR FLANGE MOUNT RECEPTACLES	
	SCP36675-*
	SCP40450-*
MOUNTING PLATES	
	NOTE 1
RUBBER BUSHINGS	
	MS3420-*A

6A

We've Got You Covered



Contact
Spacecraft's
Consultative Sales Team
for Ordering Information



YOUR
**CONNECTOR
CONSULTANT**
SINCE 1962

 **SPACECRAFT**
COMPONENTS CORP.

702.851.7600

We've Got You Covered



Contact
Spacecraft's
Consultative Sales Team
for Ordering Information



YOUR
**CONNECTOR
CONSULTANT**
SINCE 1962

 **SPACECRAFT
COMPONENTS CORP.**

702.851.7600

SPACECRAFT COMPONENTS CORP.

Your Connector Consultant Since 1962



SCP 5015 STYLE CONNECTORS (CATALOG 102)



SCPT 26482 STYLE SC1 38999 SERIES I SC2 38999 SERIES II SC39 38999 SERIES III (CATALOG 202)



SCPB SERIES (CATALOG 302)



CONNECTOR ACCESSORIES (CATALOG 402)



CONNECTORS WITH INTEGRATED BACKSHELLS (CATALOG 601)

Try our other connector products.

COMING SOON... All Plastic Connectors CATALOG 701



SPACECRAFT COMPONENTS CORP.

Headquarters

3040 Clayton Street
North Las Vegas, NV 89032

Phone: 702.851.7600
Fax: 702.851.7620

Email: salesinfo@spacecraft.com
Web: www.spacecraft.com

Florida Office

4577 Nob Hill Road
Suite 106
Sunrise, FL 33351
Tel: 954.748.4540
Fax: 954.748.4128

Italy Office

Spacecraft Components, sp A
Milan, Italy
+39 (335) 719.4512

Mexico Office

Av. Constituyentes 13-6 Col. Pueblo Nuevo
Queretaro, Qro 76900
+52 442 341 69 63

CAT-102 10.12